



Technical Data

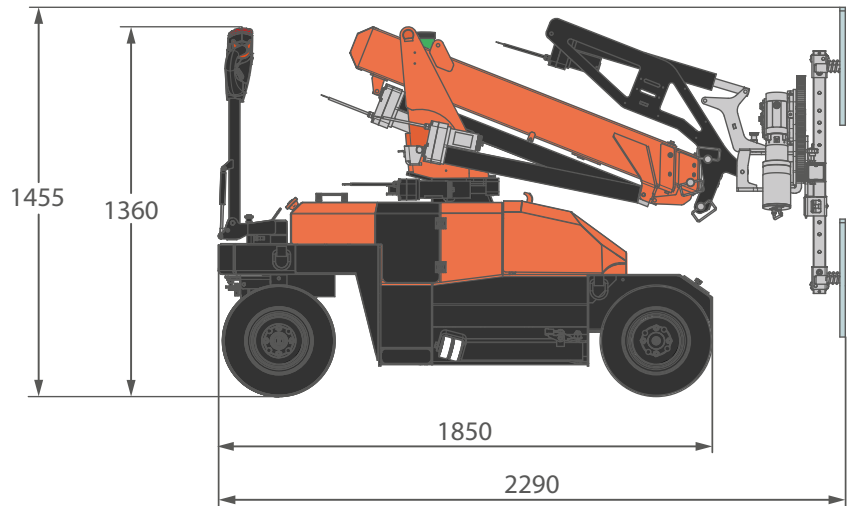
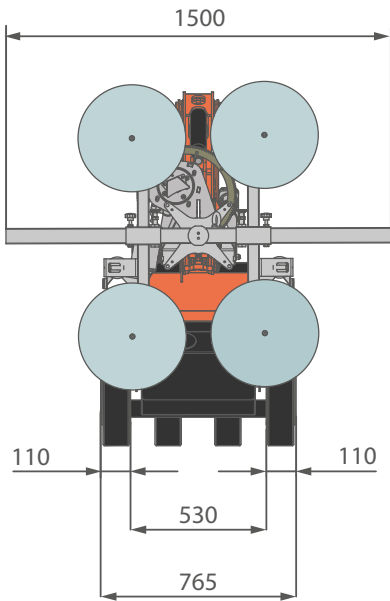
Specification & Capacities

MPK06V MPK06.2V

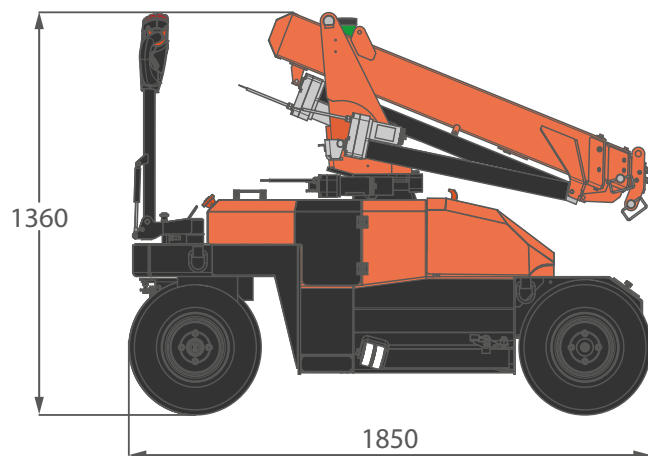
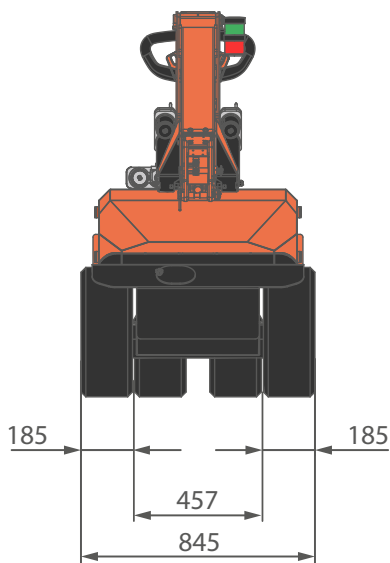
OVERALL DIMENSIONS

MPK06V

INDOOR WHEELS

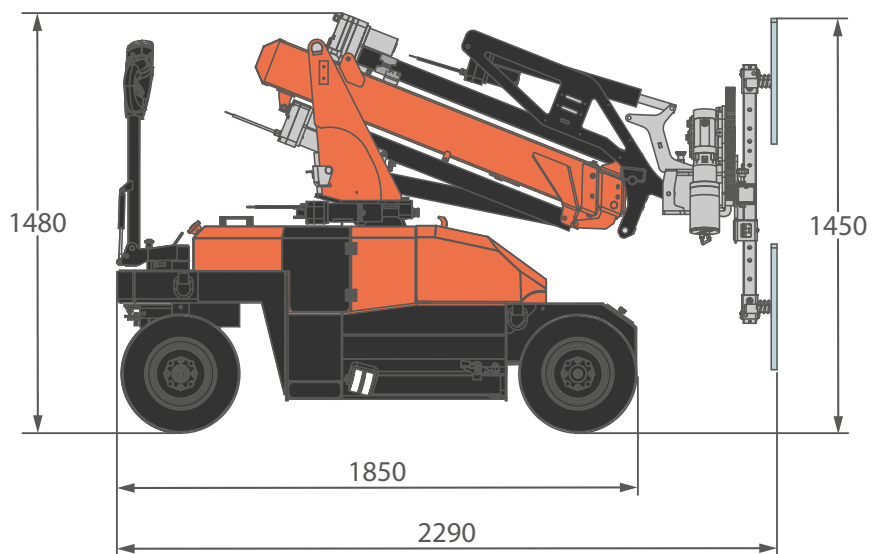
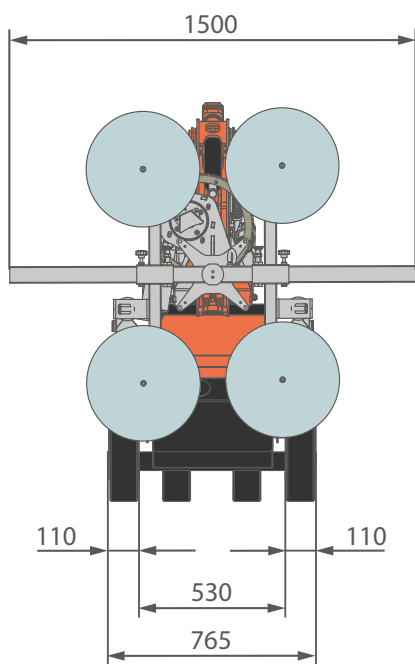


OUTDOOR WHEELS

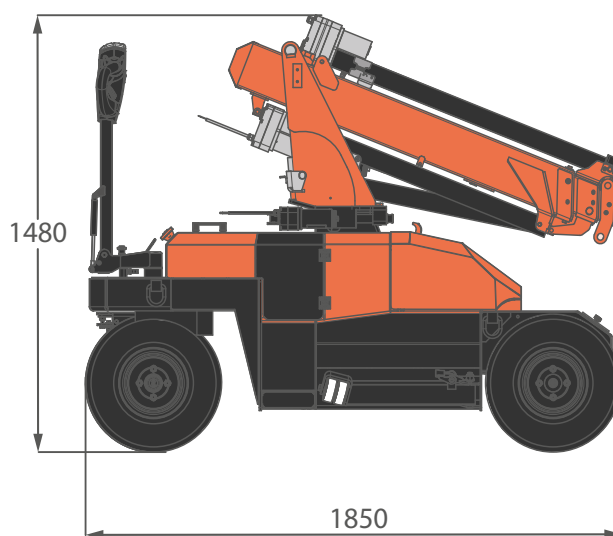
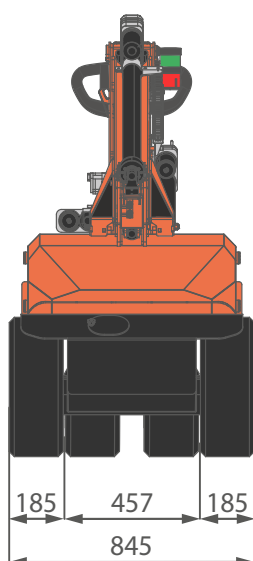


OVERALL DIMENSIONS MPK06.2V

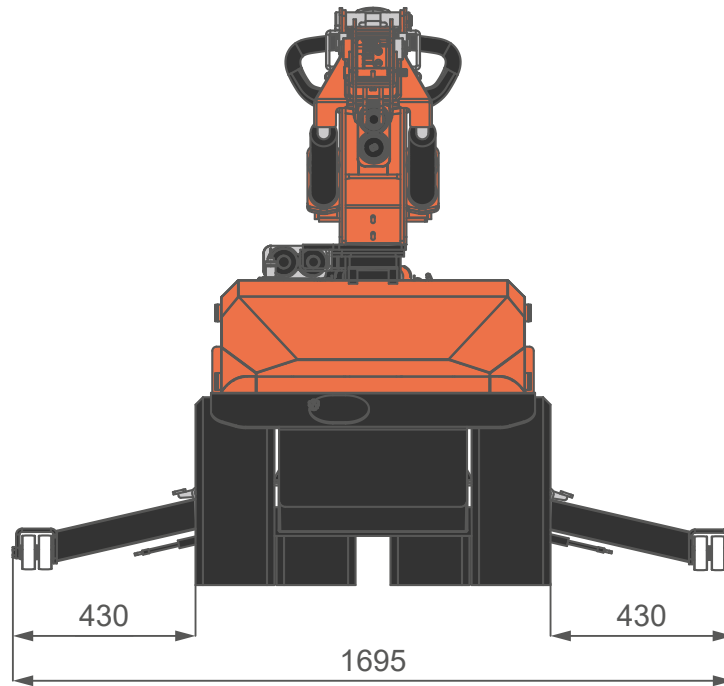
INDOOR WHEELS



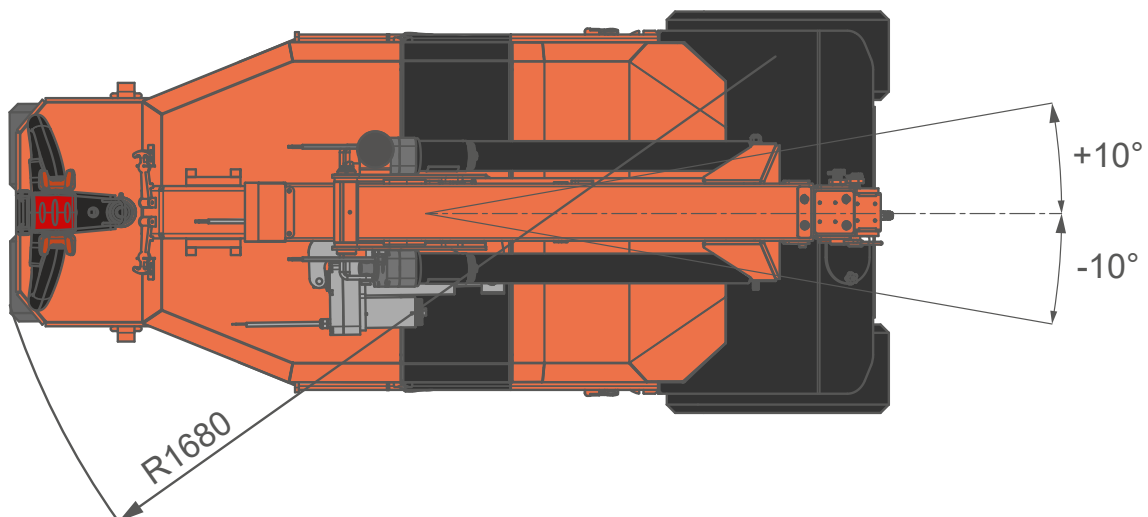
OUTDOOR WHEELS



OVERALL DIMENSIONS MPK06V/MPK06.2V OUTRIGGER ON SIDE






BOOM SWING



[mm]

OVERALL INFORMATIONS



		NAME	DESCRIPTION	U.M	VALUE
CRANE INFO		OVERALL DIMENSIONS MPK06V	Height	mm	1.360
			Length		1.850
			Width		845
		OVERALL DIMENSIONS MPK06.2V	Height	mm	1.480
			Length		1.850
			Width		845
		BOOM	Length	m	1,2 - 2,8
			Speed	s	31
		SLEWING	Angle	°	-10°/10°
			Speed	rpm	-
		LIFTING	Working Angle	°	-21°/55°
			Speed	s	-
			Max Capacity	kg	600
			Back Wheel Load Max	kg	265
		Front Wheel Load Max	750		
		Travel Speed	km/h	3,6	
		Gradeability [†]	°	13°	
		Working Temperature	°C	-20°/+40°	
		Lifting Class (UNI 4301-1)			


		CRANE MPK06			
WEIGHTS		CRANE MPK06	All	kg	709*
		CRANE MPK06.M			724*
		COUNTERWEIGHT (INTO FRAME)	CW	kg	40
		COUNTERWEIGHT (INTO HOOD)	CW		151

*: Dry weight

†: Max value only for short distance and a maximum of 30 seconds. Forward movement at maximum gradeability is intended with extended boom and without load

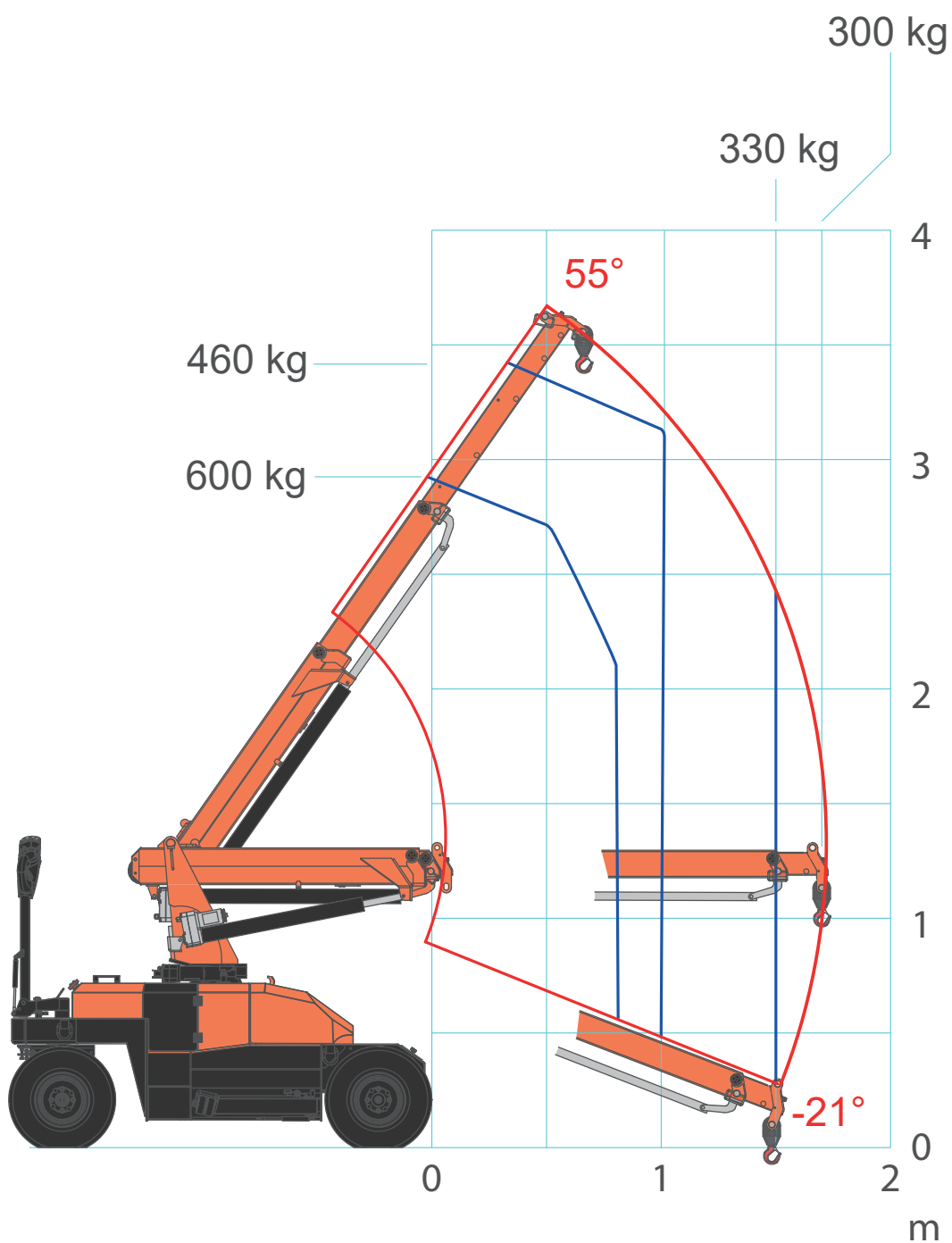
OVERALL INFORMATION

ACCESSORIES		JIB	JIB-MPK06	kg	15
		MANIPULATOR	JVM06	kg	80
			JVM06EV	kg	110

ENGINE		ELECTRIC	Voltage	V	24
			Power	kW	3

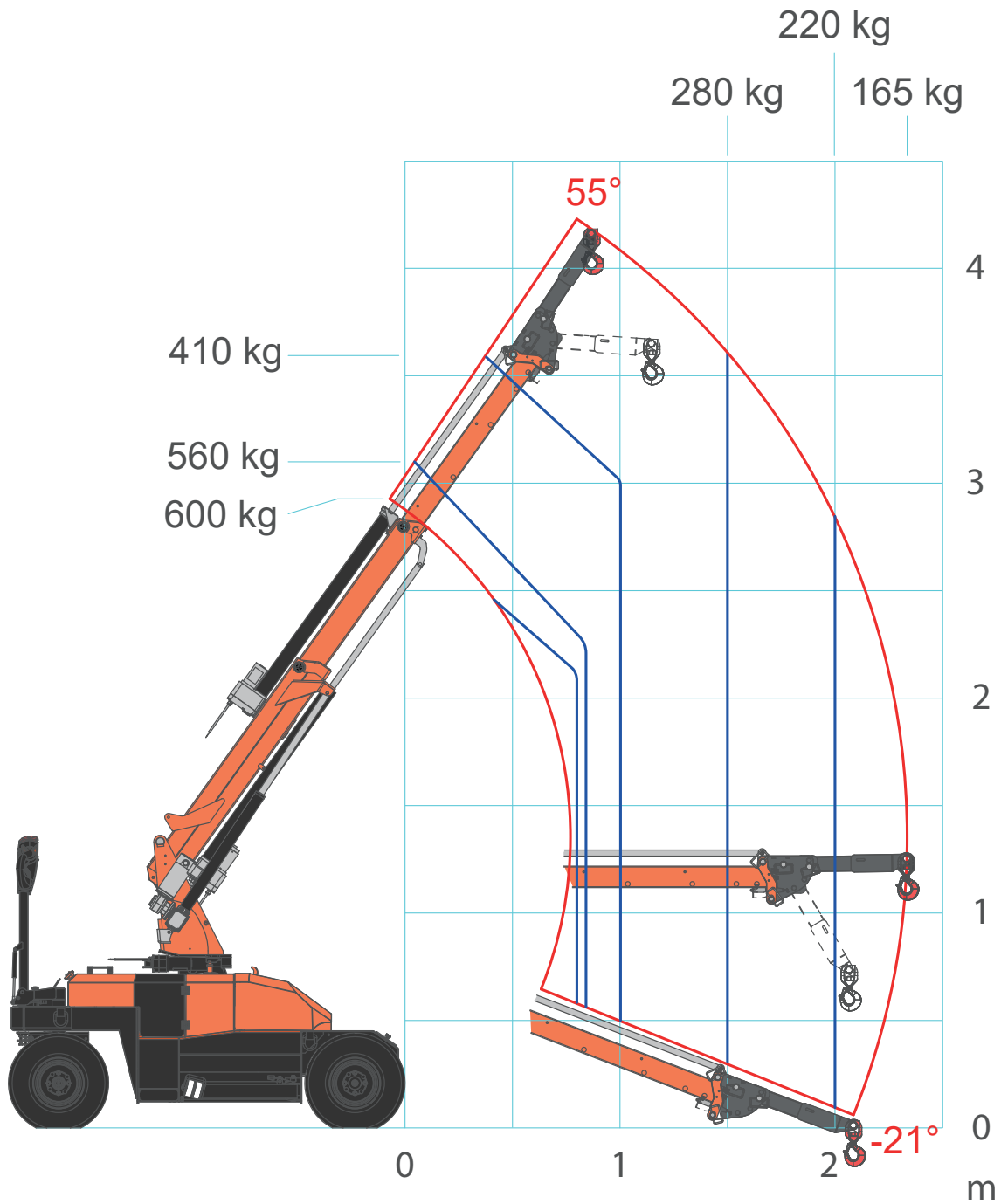
MPK06V/06.2V - MAIN BOOM

with HOOK

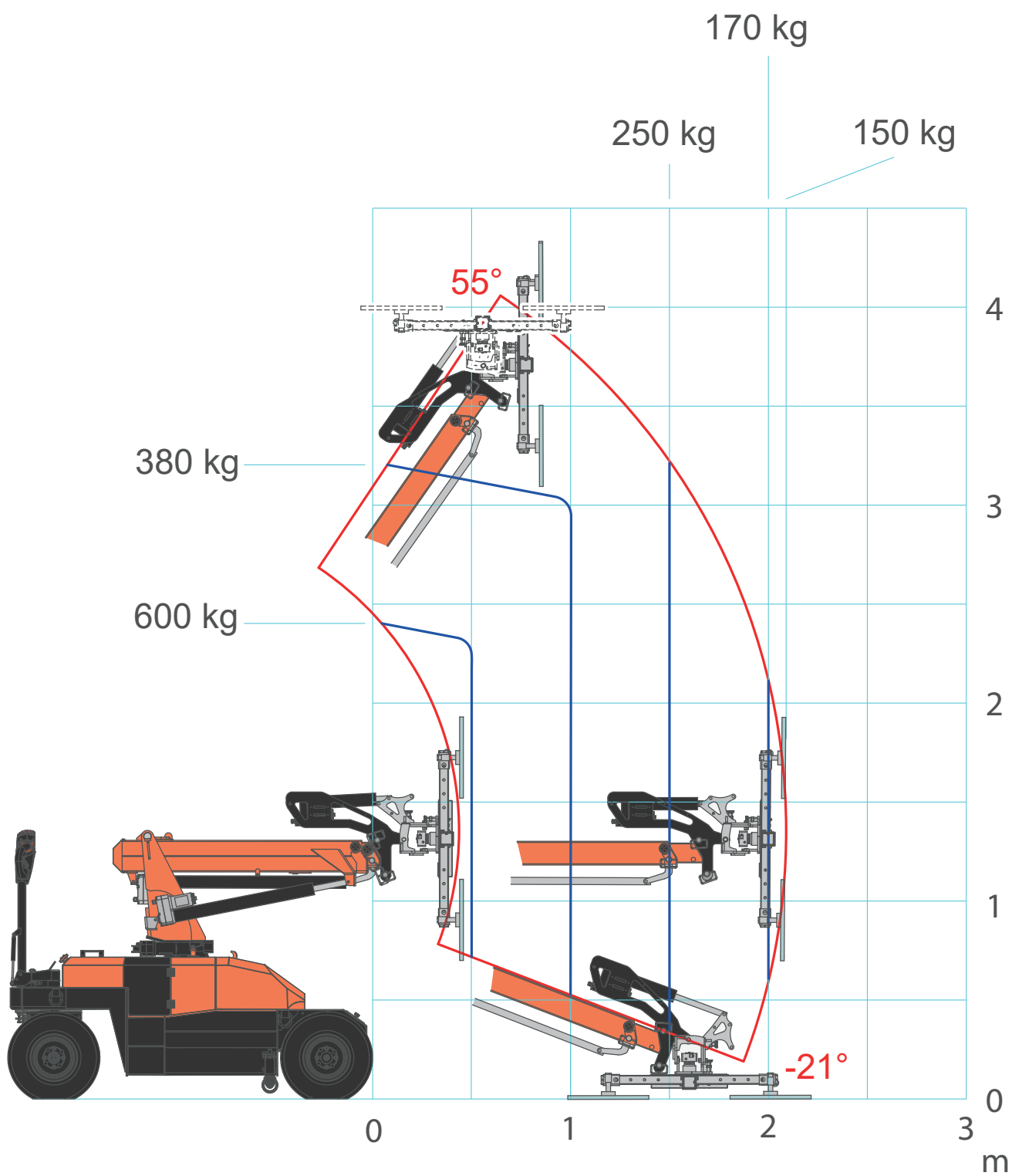


MPK06V/06.2V - JIBMPK06

with HOOK

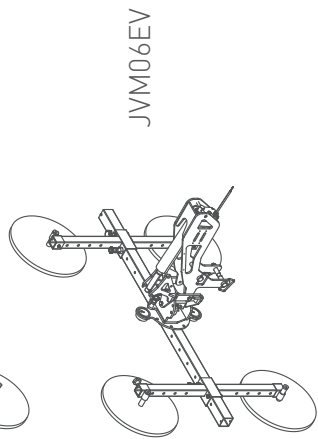
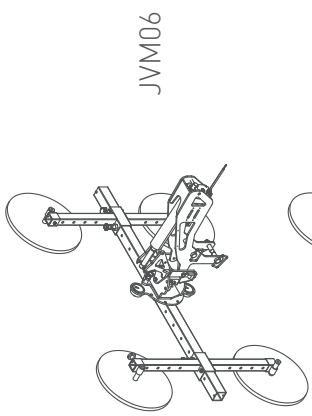
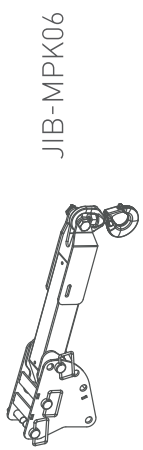


MPK06V/06.2V - JVM06/06EV



ACCESSORIES MPK06V/06.2V

ATTACHMENTS & TOOLS



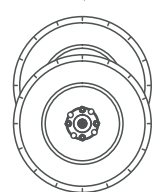
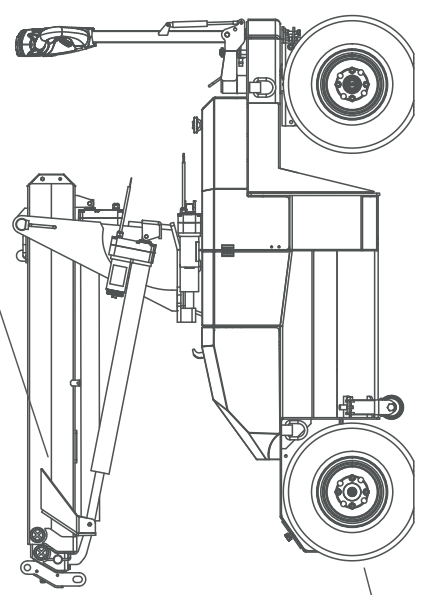
BATTERY CHARGERS



BC-110V30A



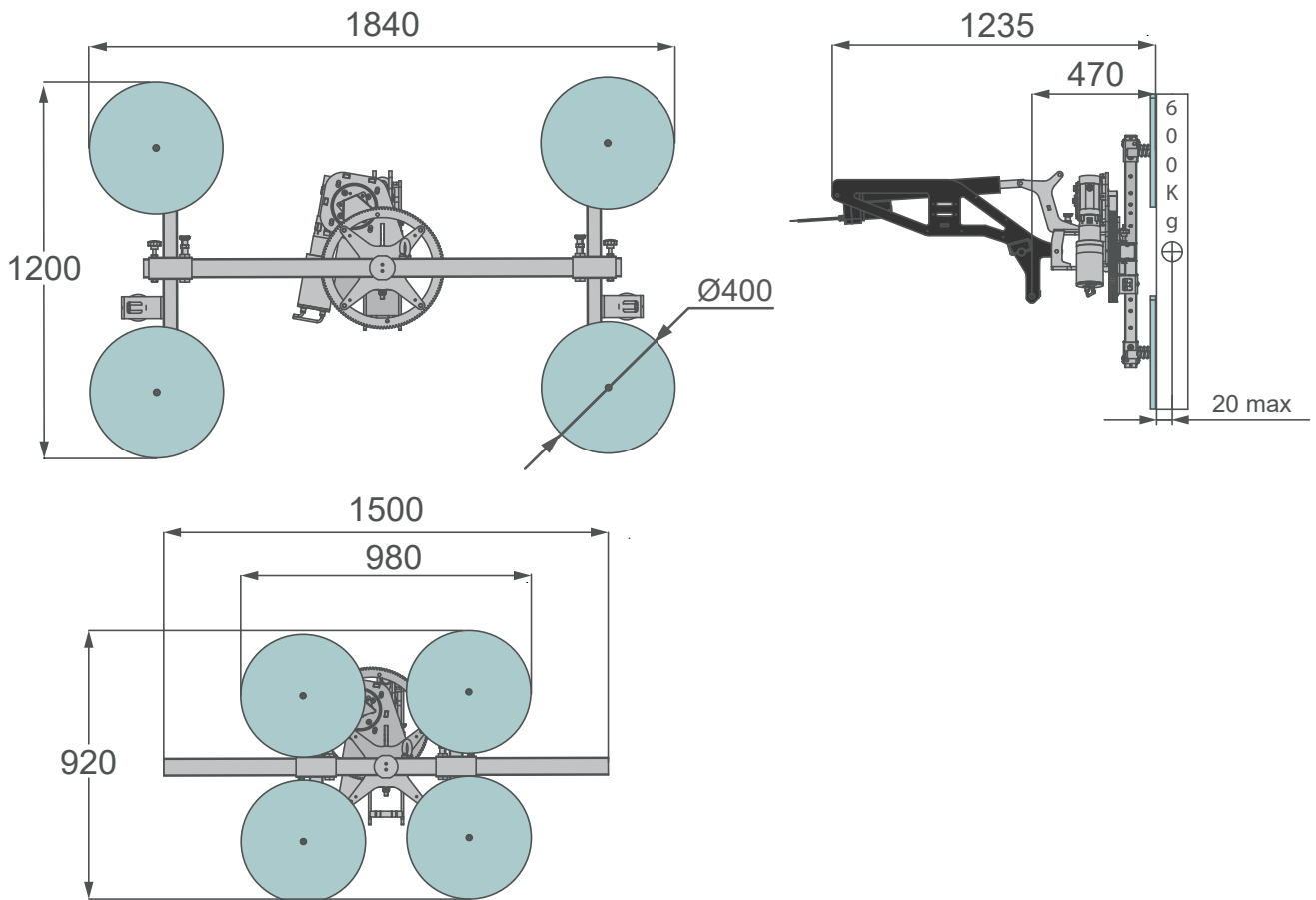
BC-220V30A



WT-MPK04-06

ACCESSORIES FEATURES

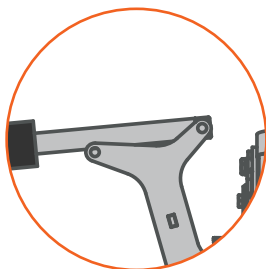
JVM06EV



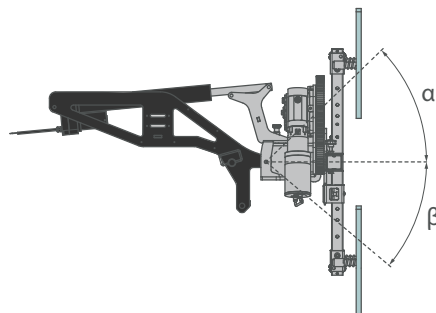
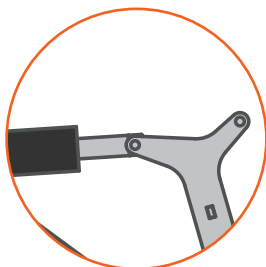
ACCESSORIES FEATURES

JVM06R CONFIGURATIONS

CONFIGURATION 1



CONFIGURATION 2

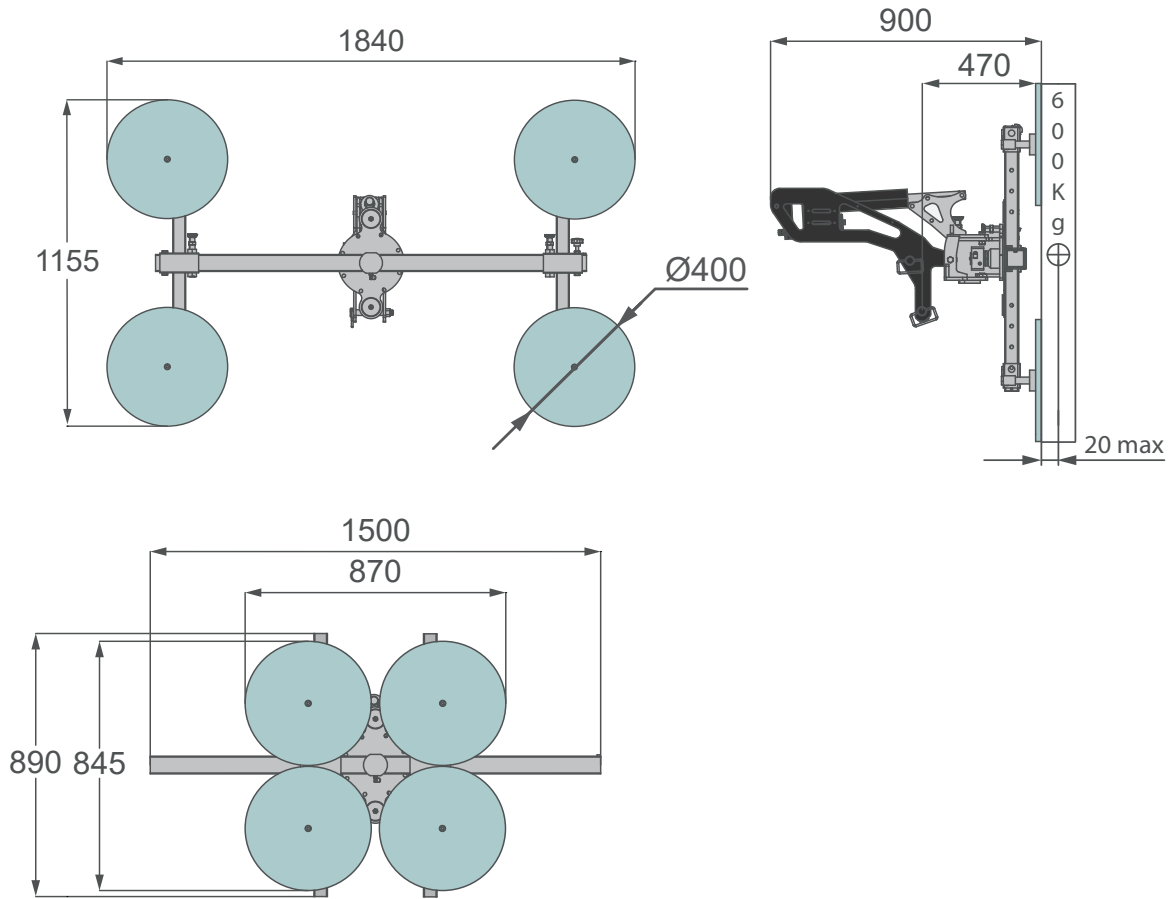


	α	β
1	40°	44°
2	14,5°	70°

[mm]

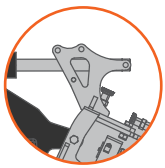
ACCESSORIES FEATURES

JVM06

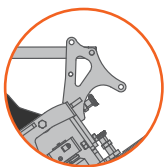


JVM06 CONFIGURATIONS

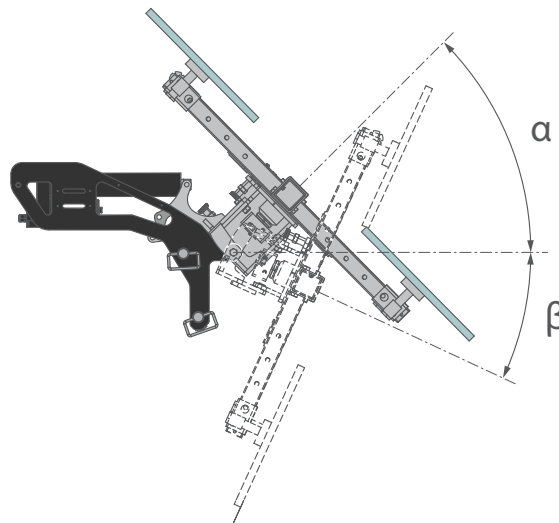
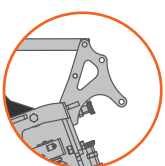
CONFIGURATION 1



CONFIGURATION 2



CONFIGURATION 3

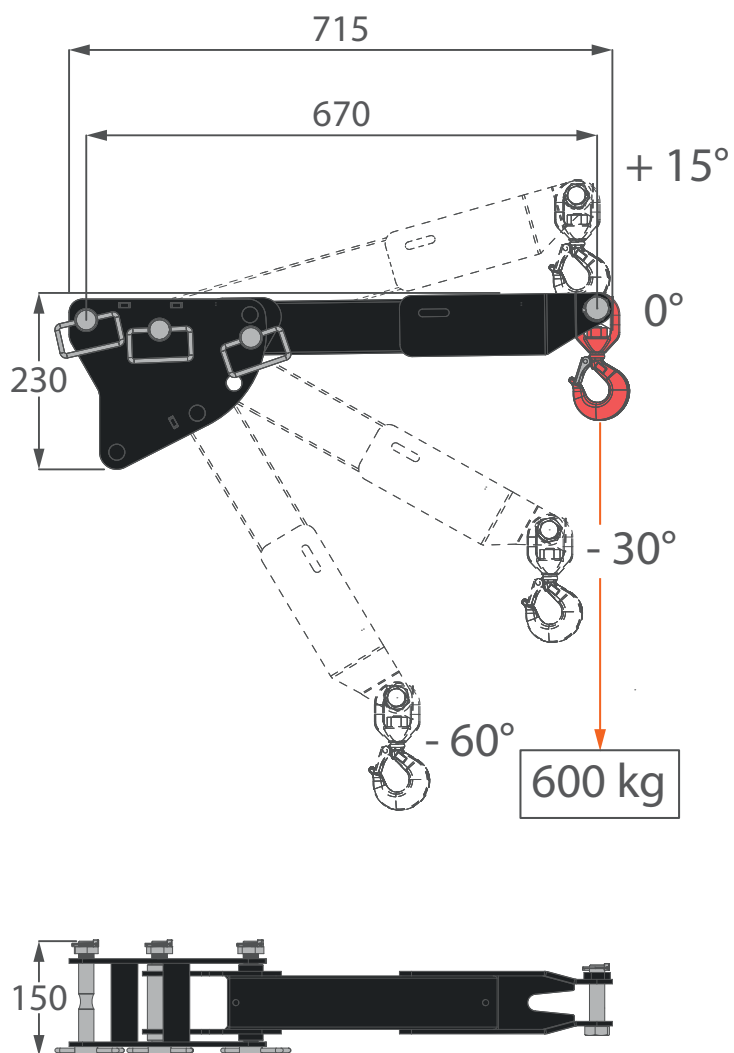


	α	β
1	45°	25°
2	15°	55°
3	0°	70°

[mm]

ACCESSORIES FEATURES











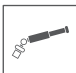



JIB MPK06



	JIB	JIB-MPK06	kg	15
--	------------	-----------	----	----

[mm]

SYMBOLS

	Minipicker		Electric Engine		Boom Angle		Weight
	Travel Speed		Maximum Capacity		Boom Length		Back Wheel Loading Point
	Gradeability		Slewing		Jib		Front Wheel Loading Point
	Glass Manipulator		Working Temperature				

REMARKS REFERRING TO LOAD CHART

- The load charts are calculated according to EN 13000.
- For the calculation of the load charts at least a wind speed of 9m/s (33km/h) and regarding the load a sail area of 1m² per ton load and a wind resistance coefficient of 1.2 on the load have been taken into account. For lifting of loads with large sail areas and/or high wind resistance coefficients the maximum wind speed as stated in the load charts has to be reduced.
- Lifting capacities are given in kilograms.
- The weight of the hook blocks and hooks is part of the load and therefore it must be deducted from the lifting capacities.
- Working radii are measured from the slewing centre.
- The lifting capacities given for the telescopic boom apply if the folding jib is removed.
- Subject to modification of lifting capacities.

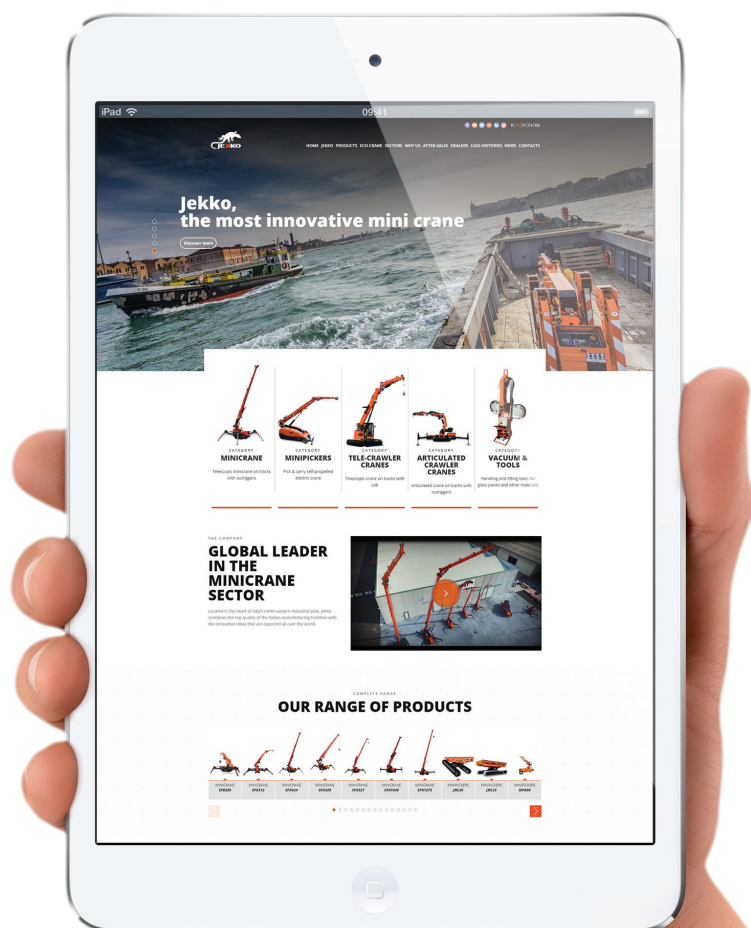
YOUR JEKKO DEALER

EN All specifications and features herein described can be changed without prior advice. All indicated data are indicative only and are not binding as crane performs differently depending on its use. **IT** Tutte le caratteristiche e le specifiche descritte possono essere soggette a variazioni senza preavviso. Tutti i dati riportati sono forniti a puro titolo informativo e non sono impegnativi dal momento che le prestazioni della macchina variano in funzione dell'utilizzo. **DE** Unangekündigte Änderungen sämtlicher Eigenschaften und Daten sind möglich. Alle Angaben sind Richtwerte und nicht verbindlich da die Leistungen der Vorrichtung von deren Einsatz abhängen. **ES** Todas las características y las especificaciones aquí indicadas pueden ser sujetas a variaciones sin aviso. Se dan todos los datos aquí indicados como simples informaciones. No se consideran como vinculantes, dado que las prestaciones del maquinario pueden variar. **FR** Toutes les caractéristiques et le spécifications descriptives peut être sujet à variation sans préavis. Tout les données rapportés sont fournis à titre informatif et ne sont pas engager au moment que la prestation de la machine change en fonction de l'emploi.



www.jekko-cranes.com

Visit jekko-cranes.com to keep in contact with us, discover all the latest news and find out technical details of all our products.





Jekko s.r.l.

Via Campardone, 1 - 31014 Colle Umberto (TV) - Italy
info@jekko.it - www.jekko-cranes.com

SERIAL NUMBER:



20.01.2023 | Rev.6