



# Technical Data

Specification & Capacities

# JF235



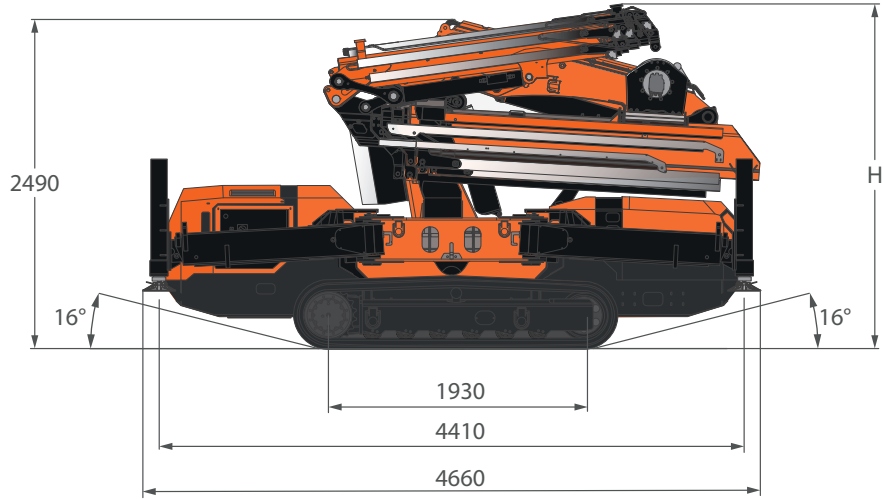
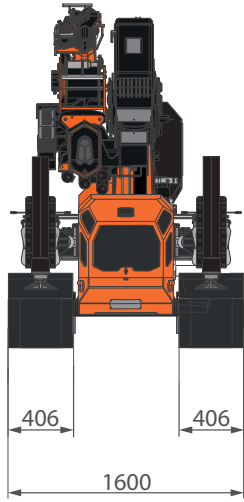
EN 12999:2020

19.01.2024 | Rev0.2

[m] [kg]

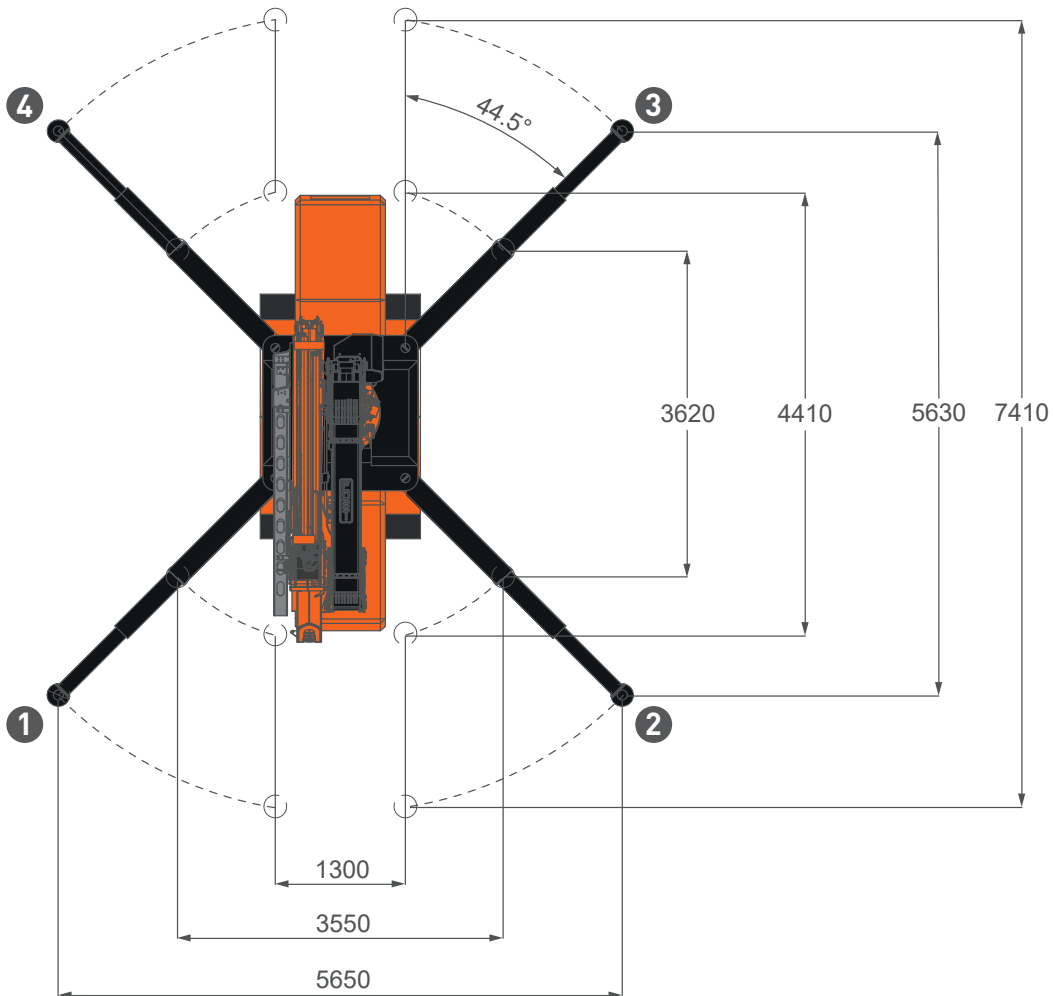
## OVERALL DIMENSIONS

(with jib and low marking pads)



H	WITH ACTIVATION	2800
	W/O ACTIVATION	2630


## STABILIZATION AREA



[mm]

## OVERALL INFORMATIONS


	NAME		DESCRIPTION	U.M	VALUE
CRANE INFO		OVERALL DIMENSIONS	Height	mm	2.800
			Length		4.750
			Width		1.600
		BOOM	Length	m	12,7
			Speed	s	27
		SLEWING	Angle	°	360°
			Speed	rpm	1,5
		LIFTING	Working Angle	°	82
			Speed	s	Primary: 16 Secondary: 19
			Max Capacity	kg	6.150
			Max Outrigger Bearing Load	kg	10.150 <sup>†</sup>
			Track load	kg/cm <sup>2</sup>	0,60
			Travel Speed	Slow	km/h
Fast				1,8	
Kickdown				2,3	
		Gradeability	°	-	
		Working Temperature	°C	-20°/+40°	







WEIGHT		CRANE	JF235	kg	9.470*
--------	---	-------	-------	----	--------



\*: Dry weight


†: In maximum stability condition

# JF235 Overall Informations

<b>HOOKBLOCKS</b>		<b>HOOK BLOCK</b>	Single Fall	kg	20
			Double Fall	kg	49
			Single Fall Jib	kg	74

<b>ACCESSORIES</b>		<b>JIB</b>	JIBL214	With activation	kg	770
				Without activation	kg	700
		<b>MANUAL EXTENSIONS</b>	P	kg	85	
			Q	kg	70	
			R	kg	45	
			PL	kg	21	
		<b>LOW MARKING PADS</b>	WTP-JFM (x76)	kg	190	
		<b>OUTRIGGERS MATS</b>	OM500 (x4)	kg	92	
		<b>POWERPACK</b>	3-Phase Power pack	kg	80	
		<b>PLE</b>	MWP-1PG.JIB2500.4HA	kg	110	
MWP-2PG.JIB2500.4HA			kg	136		
MWP-2PGR.JIB2500.4HA			kg	150		

<b>ENGINE</b>		<b>DIESEL ENGINE</b>	Power	kW	33
			Horse Power	HP	44,9
			Tank capacity	L	52
		<b>ELECTRIC</b>	Voltage	V	400
			Power	kW	13,5

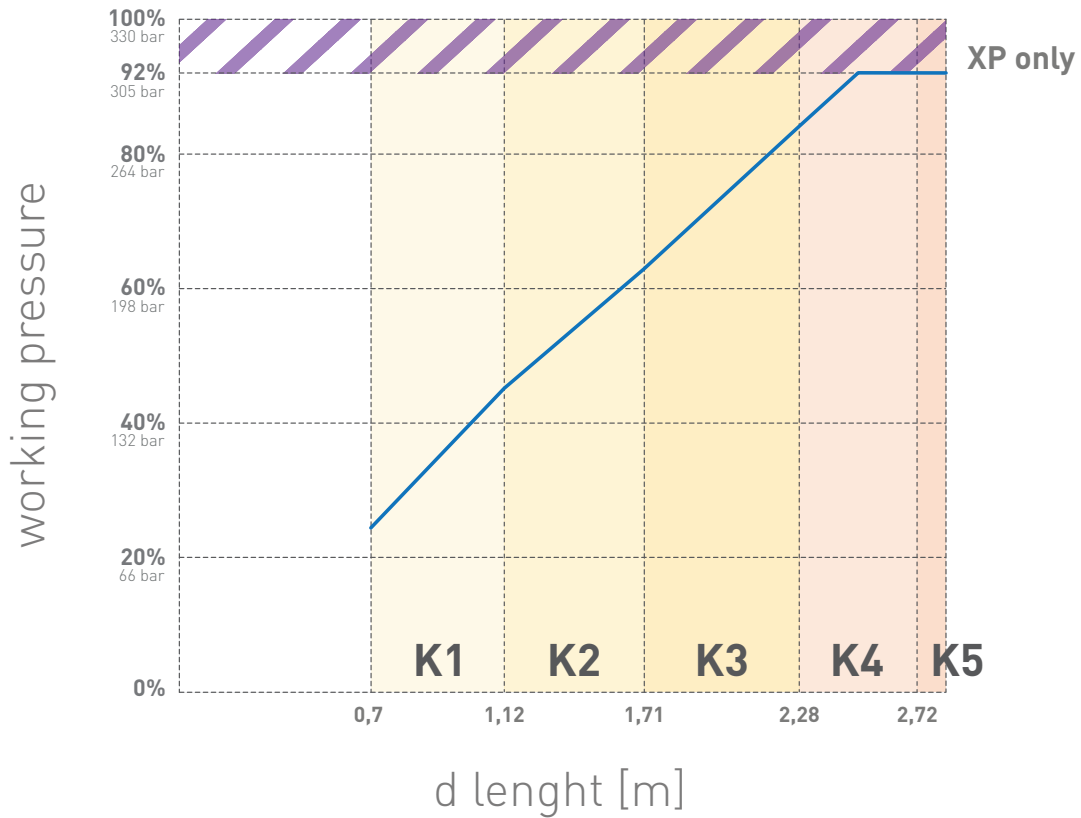
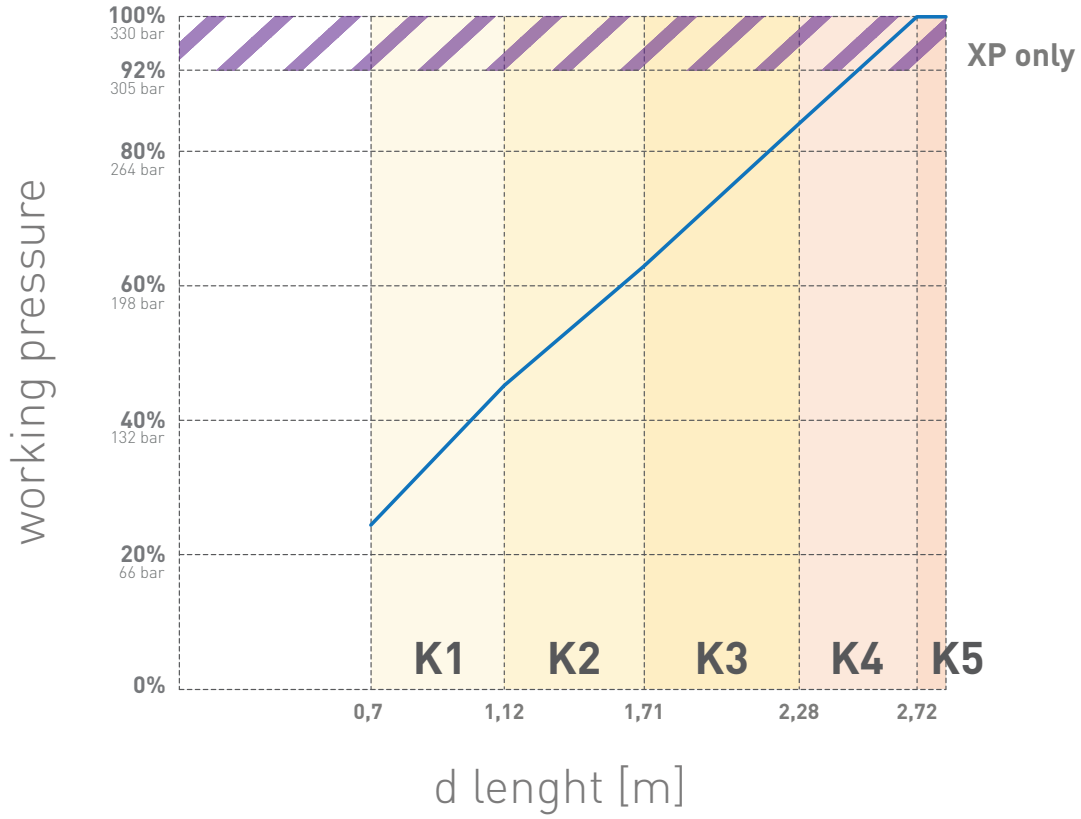
<b>HYDRAULIC SYSTEM</b>		Working Pressure		bar	330	
		Tank Capacity		L	120	
		<b>OIL</b>	Type		Mineral	ISO 6743-4:HV
			Viscosity Grade		VG	46
		<b>DIESEL MAIN PUMP</b>	Type		Variable flow Pump LS	
			Displacement		cm <sup>3</sup> /rev	28
			Max Oil Flow		L/min	80
		<b>ELECTRIC MAIN PUMP</b>	Type		Variable flow Pump LS	
			Displacement		cm <sup>3</sup> /rev	45
			Max Oil Flow		L/min	60

## WINCH PERFORMANCE

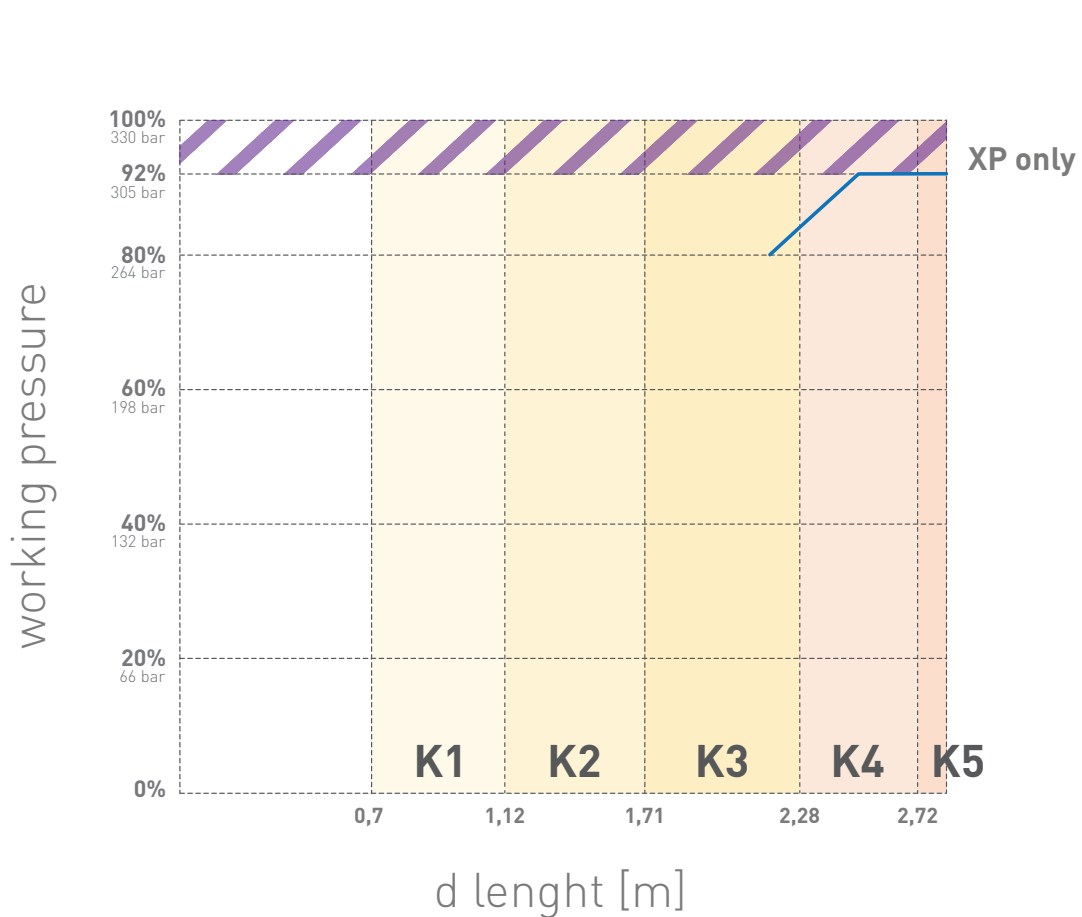
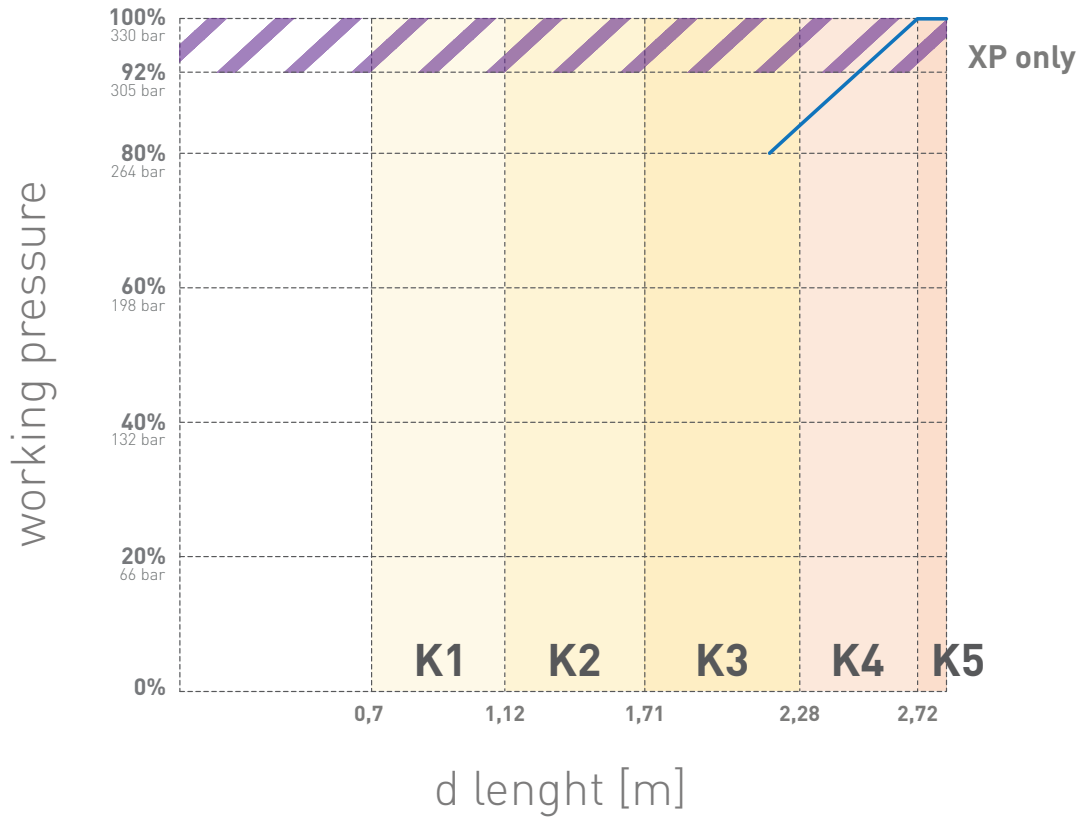
<b>WINCH</b>	<b>Layer</b>		<b>Max pull line</b>	<b>Standard rope speed</b>
			daN	m/min
	1	2.000	39,2	
	4	1.556	50,3	
<b>ROPE</b>	<b>Wire rope</b>	<b>Max load</b>	<b>Ø</b>	<b>Total length</b>
		daN	mm	m
	19x10 right lang lay Non rotating	1.696	10	40

<b>HOOK BLOCK</b>	<b>Block type</b>	<b>Load</b>	<b>N° of</b>	
			Sheaves	Lines
		kg		
	Double fall block	3.000	1	2
Single fall block	1.500	-	1	

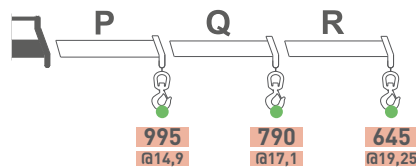
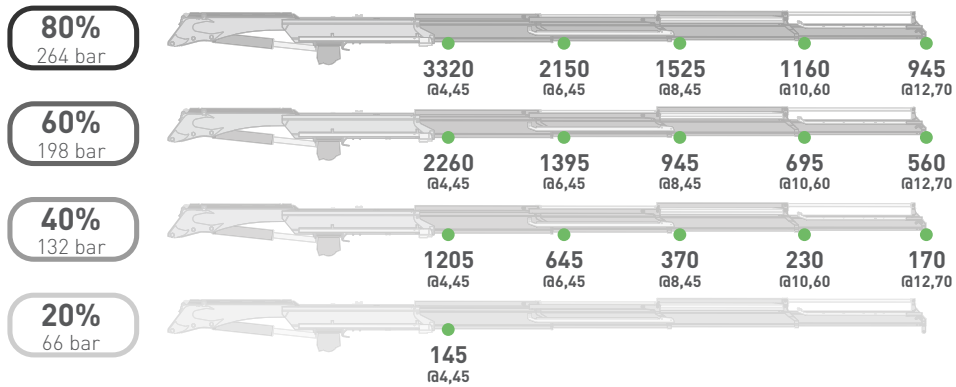
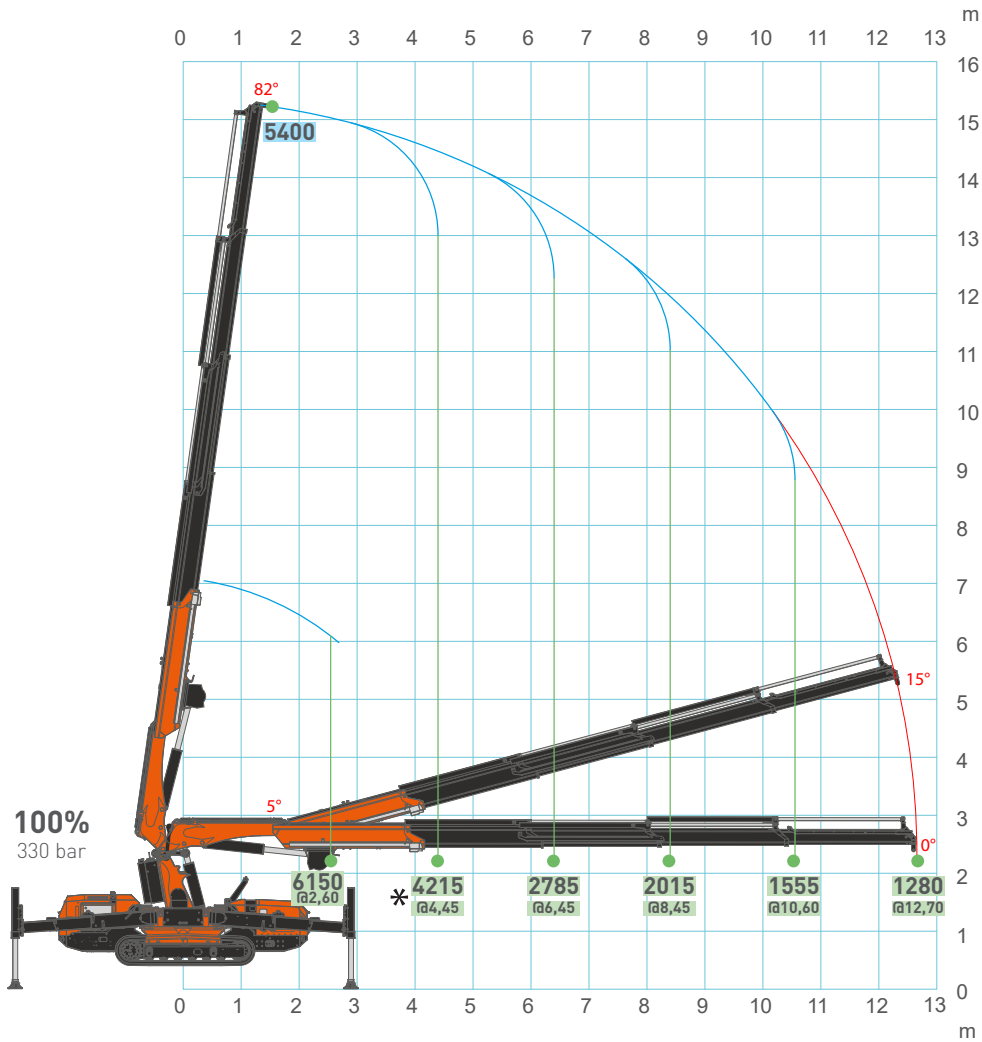
## JF235 - MAIN BOOM



### JF235 - JIB



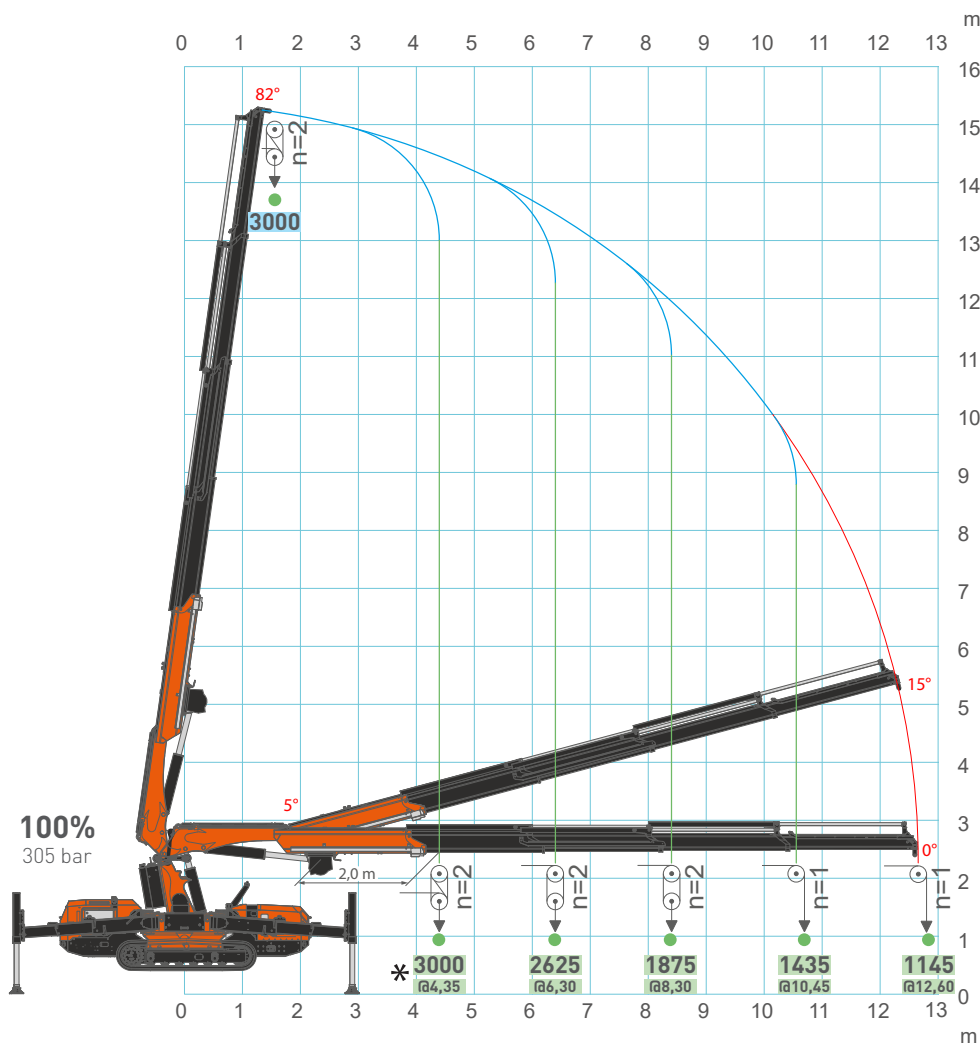
## JF235 - MAIN BOOM



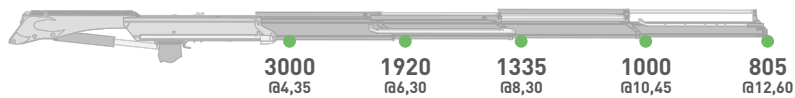
[m] [kg]



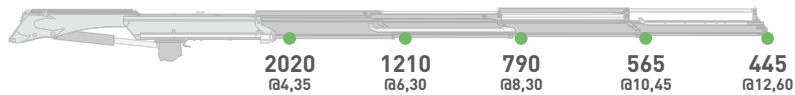
# JF235 - MAIN BOOM



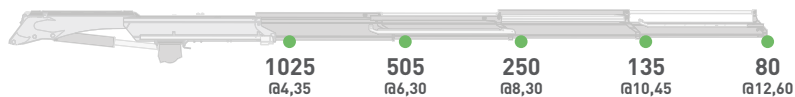
**80%**  
244 bar



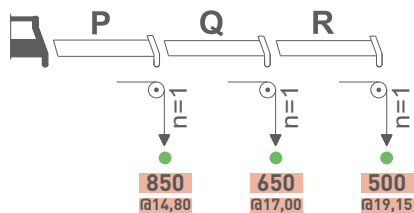
**60%**  
183 bar



**40%**  
122 bar

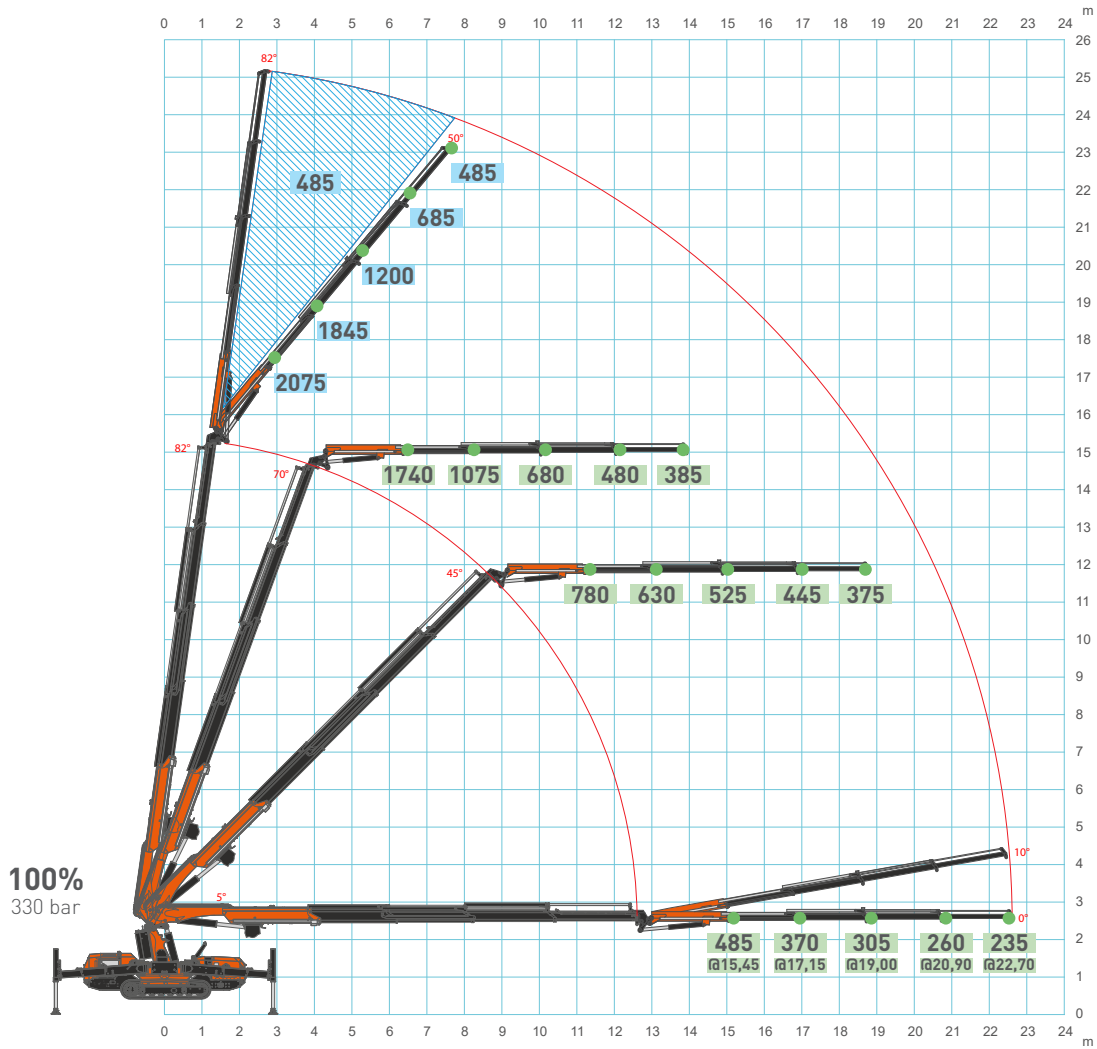


**20%**  
61 bar



[m] [kg]

## JF235 - JIB

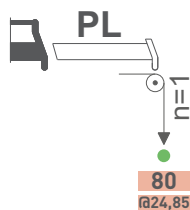
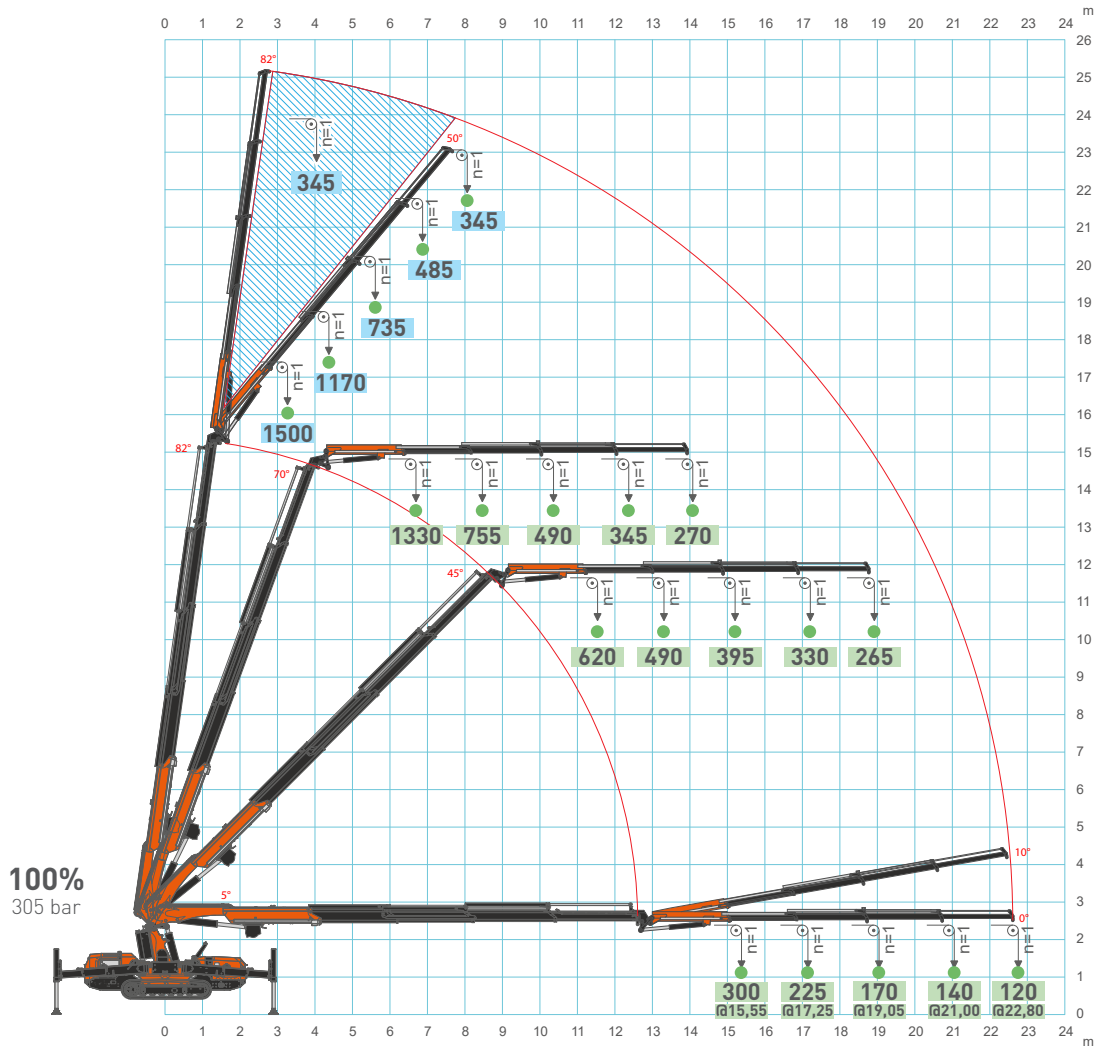


**80% 264 bar**



[m] [kg]

# JF235 - JIB



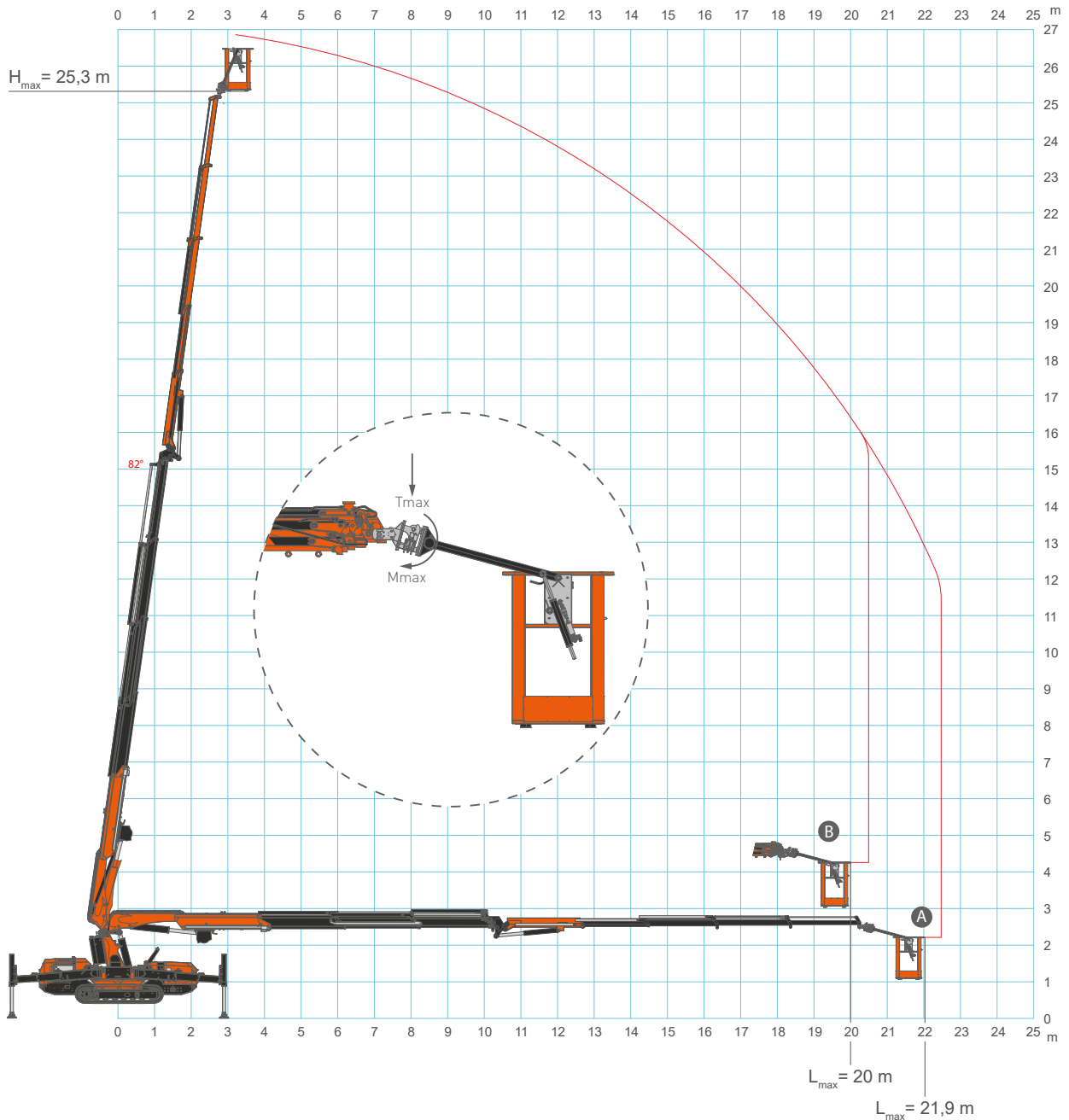
[m] [kg]

# JF235 Iron working platform

## JF235 - PLE



V15

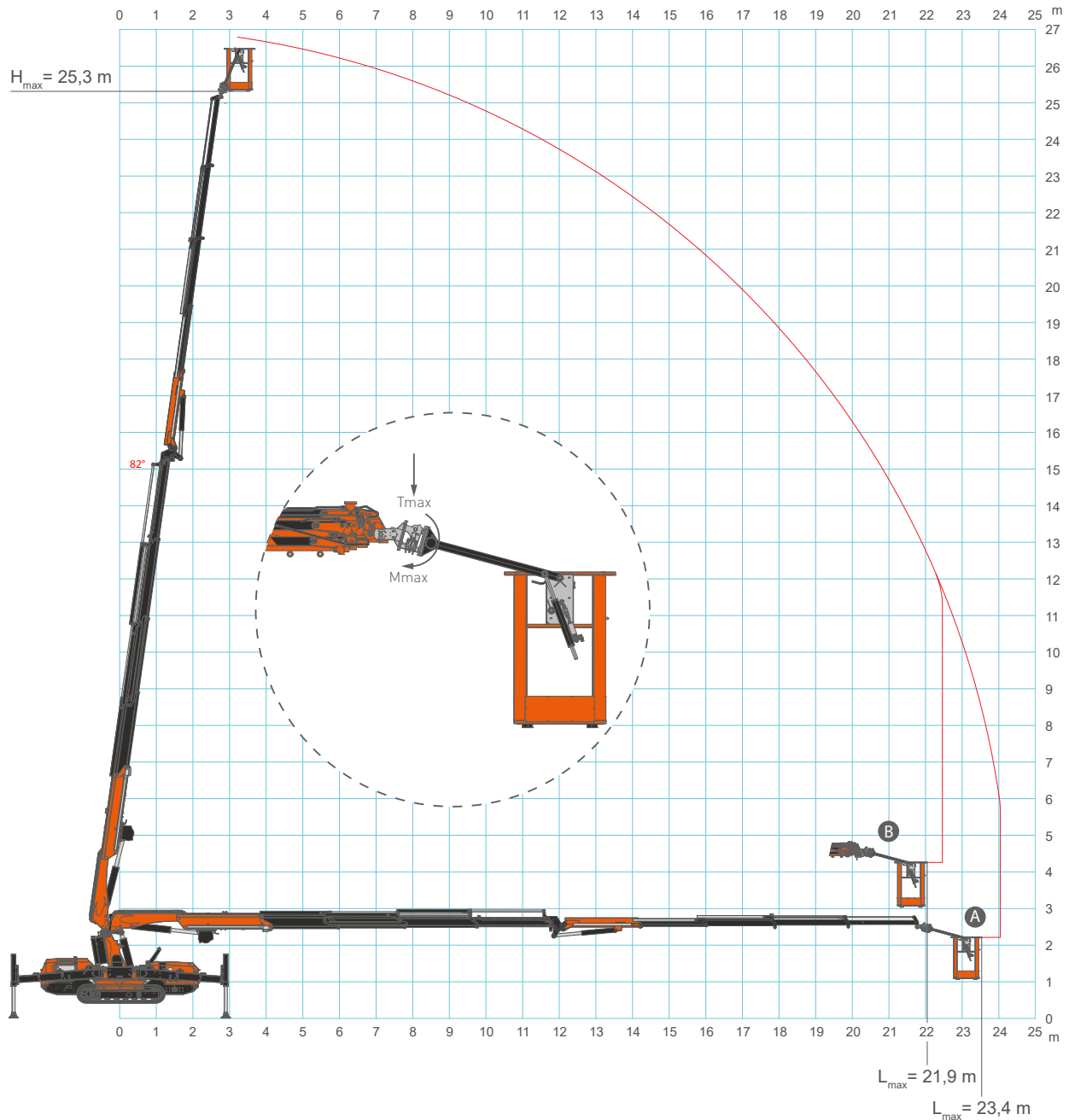


<b>A</b>	PLE	MWP-1PG.JIB2500.4HA	$P_{max}$	120 kg
<b>B</b>		MWP-2PG.JIB2500.4HA	$P_{max}$	200 kg

\*: The crane is equipped with LMI. The maximum reachable distance may vary by about 1m.

\*\* : The maximum reachable distance can be reached by extending the JIB first and then extending the boom.

## JF235 - PLE



<b>A</b>	PLE	MWP-1PG.JIB2500.4HA	$P_{max}$	120 kg
<b>B</b>		MWP-2PG.JIB2500.4HA	$P_{max}$	200 kg

\*: La gru è dotata di LMI. Lo sbraccio massimo potrebbe variare di circa 1m.

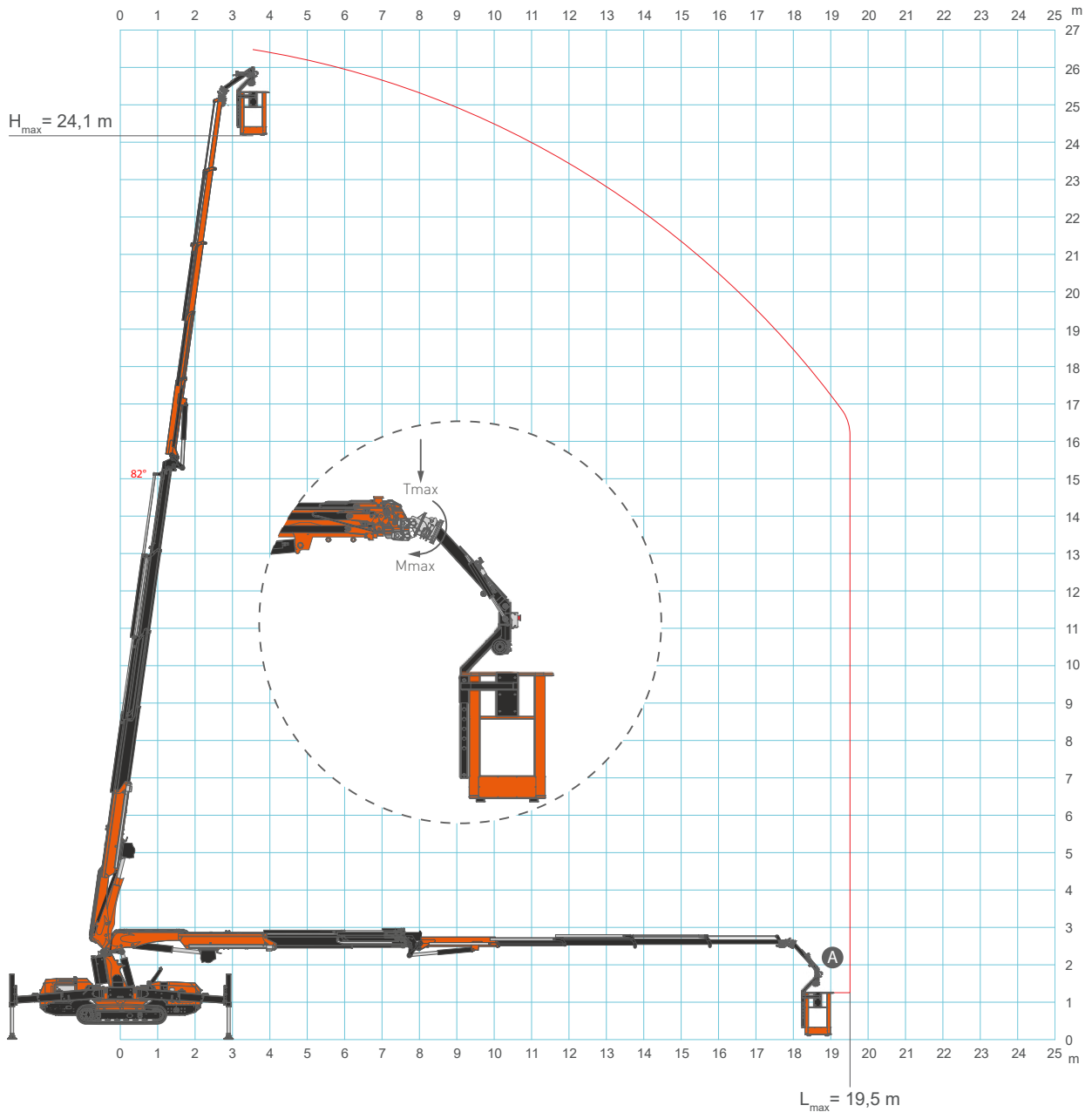
\*\* : Lo sbraccio massimo viene raggiunto sfilando prima con il jib e poi con il braccio principale.

# JF235 Aluminum working platform

## JF235 - PLE



V15

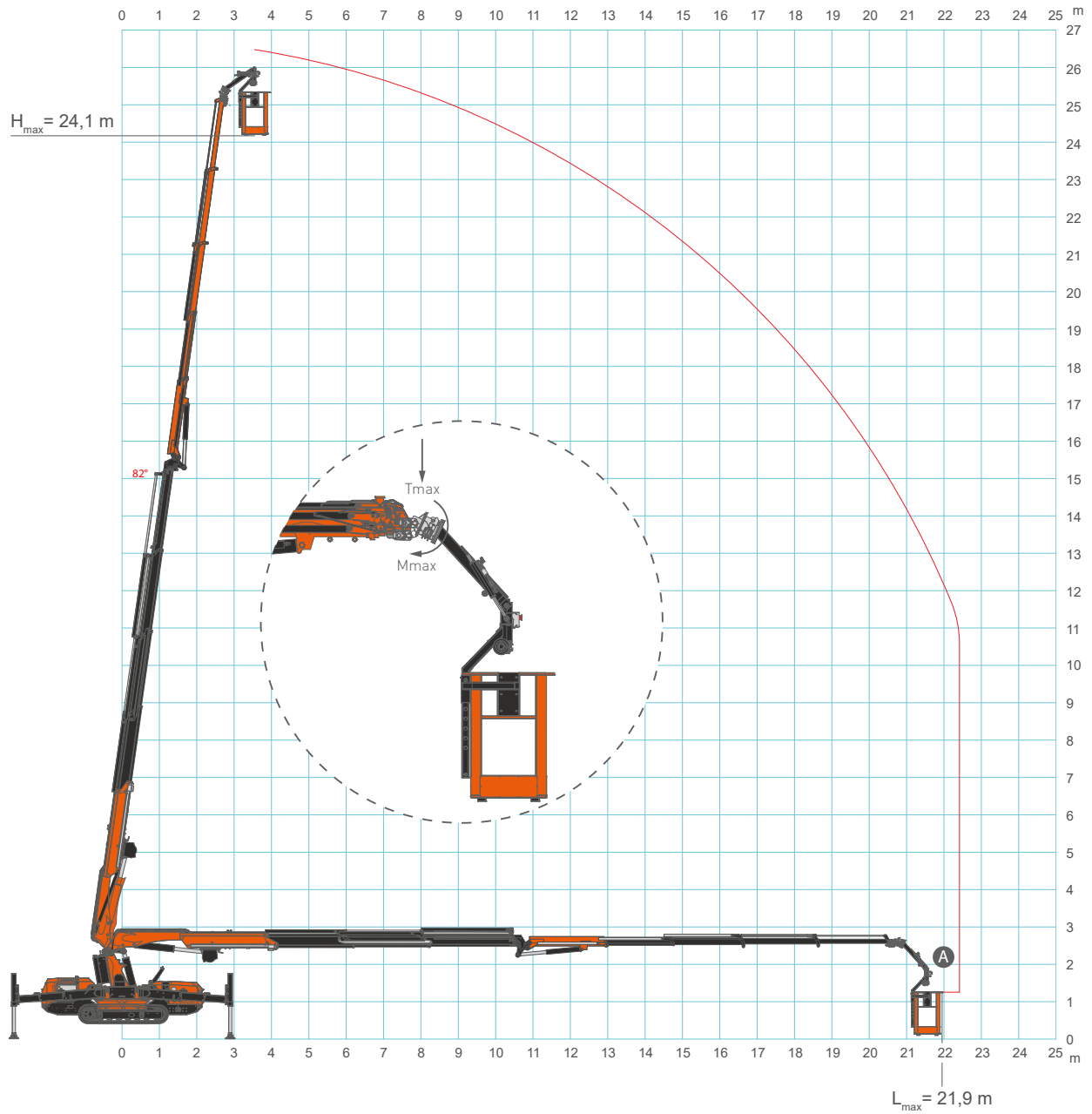


<b>A</b>	PLE	MWP-2PGR.JIB2500.4HA	With activation	$P_{max}$	200 kg
----------	-----	----------------------	-----------------	-----------	--------

\*: La gru è dotata di LMI. Lo sbraccio massimo potrebbe variare di circa 1m.

\*\* : Lo sbraccio massimo viene raggiunto sfilando prima con il jib e poi con il braccio principale.

## JF235 - PLE



<b>A</b>	PLE	MWP-2PGR.JIB2500.4HA	Without activation	$P_{max}$	200 kg
----------	-----	----------------------	--------------------	-----------	--------

\*: La gru è dotata di LMI. Lo sbraccio massimo potrebbe variare di circa 1m.


\*\* : Lo sbraccio massimo viene raggiunto sfilando prima con il jib e poi con il braccio principale.

## JF235






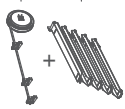
### ACCESSORIES

#### JF235

**MAN-BASKET**

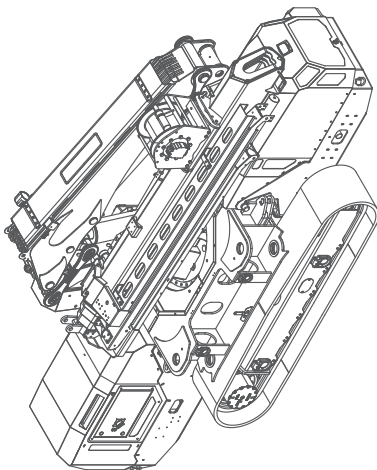
-  MWP-JIB2500.4HA
-  MWP-1PG-JIB2500.4HA
-  MWP-1PGR-JIB2500.4HA
-  MWP-2PG-JIB2500.4HA
-  MWP-2PGR-JIB2500.4HA
-  MWP-CERT

**JIB & ATTCHMENTS**



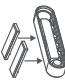
-  JIB2500.4HA
-  PS-JF235
-  MQC-JFS/JFM  
MQC-JFS/JFM-2
-  ME1-JIB2500.4HA
-  MEH-JIB2500.4HA
-  HA-JIB2500.4HA

**CRANE OPTIONS**

-  W1500-JFS
-  ME1-JF235.4
-  MEH-JF235.4
-  WA-JFS/JFM
-  HA-JFS/JFM



**CRAWLER OPTIONS**

-  PP400.13-JFS
-  PP480.13-JFS
-  WTP-JF235

**WARRANTY EXTENSION**

- 
- 2YW-JF235
- 3YW-JF235











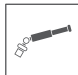













**COLOR & STICKERS PERSONALIZATION**

- 
  - STANDARD:**  RAL2004  RAL9005
  - CUSTOM:**  PC1  PC2
- COVERS+ TOOL BOXES**
  - RAL2004  PC3
- OUTRIGGERS**
  - RAL9005  PC4





## SYMBOLS

	Weight		Diesel Engine		Boom Angle		Outriggers mats
	Crane		Power Pack		Boom Length		Hydraulic oil
	Gradeability		Slewing		Jib		Outrigger Load
	Travel Speed		Electric Engine		Hookblock		Working Temperature
	Track Load		Maximum Capacity		Low marking pads		Main Winch
	Jib Activation		PLE Activation		Person Lifting Equipment		Hook

- Load limited by LMI
- Load to be limited by the operator
- Load to be verified and limited by the operator
- \* Max. moment

### REMARKS REFERRING TO LOAD CHART

- HC1 HD4 S2 lifting class in hook configuration, whereas HC1 HD1 S2 lifting class in winch configuration, according to EN12999:2020 standards.
- Lifting capacities are given in kilograms.
- Hookblocks, hooks and eventual manual extensions weight is part of the load and therefore must be deducted from lifting capacities.
- Working radius is measured from the column slewing axis.
- Lifting capacities given for the telescopic boom apply if the folding jib is removed.
- Subject to modification of lifting capacities.

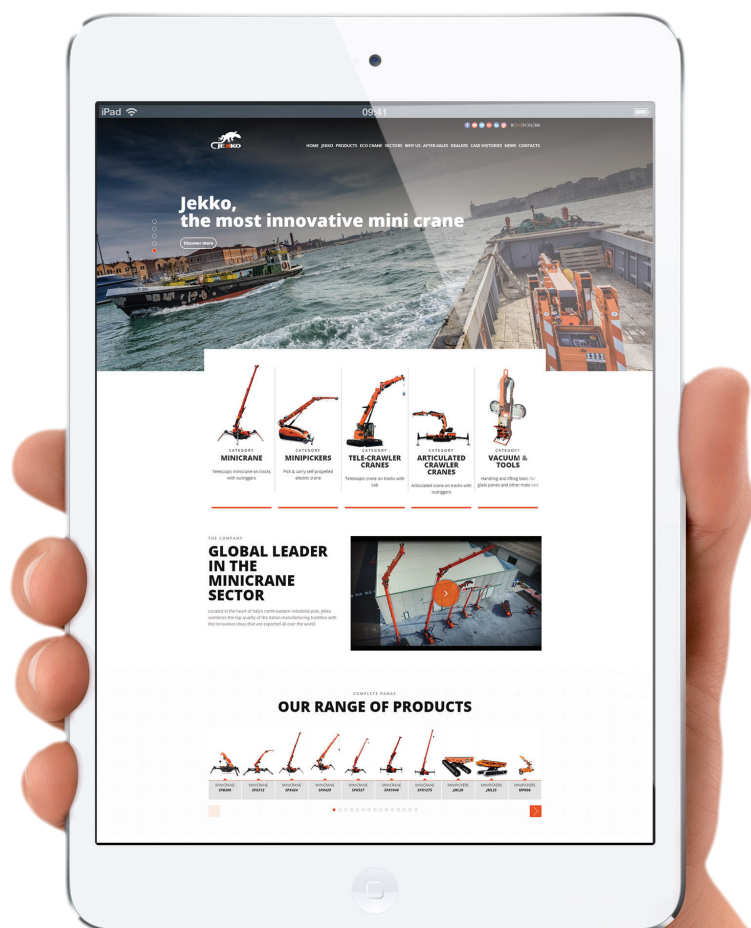
## YOUR JEKKO DEALER

**EN** All specifications and features herein described can be changed without prior advice. All indicated data are indicative only and are not binding as crane performs differently depending on its use. **IT** Tutte le caratteristiche e le specifiche descritte possono essere soggette a variazioni senza preavviso. Tutti i dati riportati sono forniti a puro titolo informativo e non sono impegnativi dal momento che le prestazioni della macchina variano in funzione dell'utilizzo. **DE** Unangekündigte Änderungen sämtlicher Eigenschaften und Daten sind möglich. Alle Angaben sind Richtwerte und nicht verbindlich da die Leistungen der Vorrichtung von deren Einsatz abhängen. **ES** Todas las características y las especificaciones aquí indicadas pueden ser sujetas a variaciones sin aviso. Se dan todos los datos aquí indicados como simples informaciones. No se consideran como vinculantes, dado que las prestaciones del maquinario pueden variar. **FR** Toutes les caractéristiques et le spécifications descriptives peut être sujet à variation sans préavis. Tout les données rapportés sont fournis à titre informatif et ne sont pas engager au moment que la prestation de la machine change en fonction de l'emploi.



[www.jekko-cranes.com](http://www.jekko-cranes.com)

Visit [jekko-cranes.com](http://jekko-cranes.com) to keep in contact with us, discover all the latest news and find out technical details of all our products.





**Jekko s.r.l.**

Via Campardone, 1 - 31014 Colle Umberto (TV) - Italy  
info@jekko.it - www.jekko-cranes.com

19.01.2024 | Rev0.2

SERIAL NUMBER: