



Technical Data

Specification & Capacities

MPK06.2



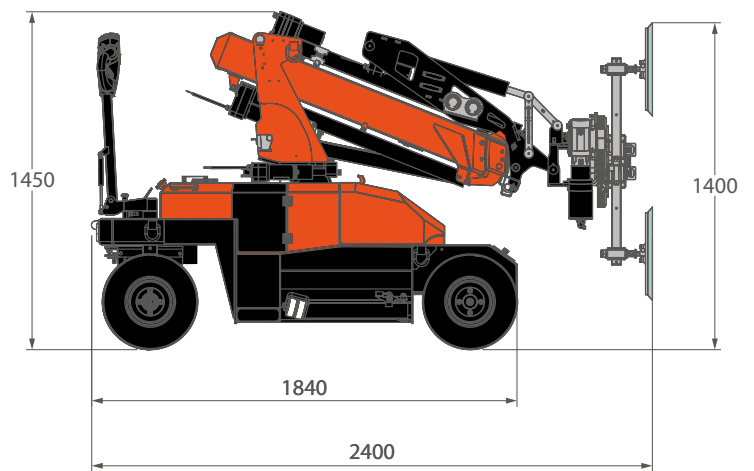
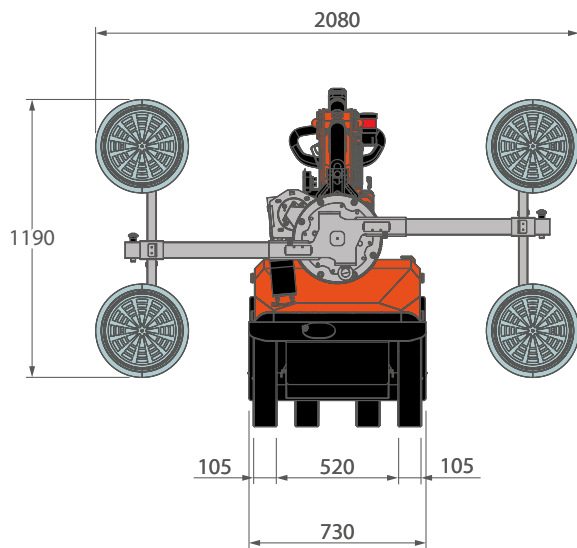
EN 13000:2014

06.12.2024 | Rev0.1

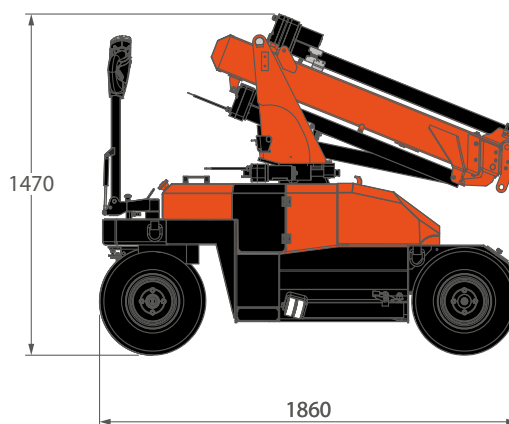
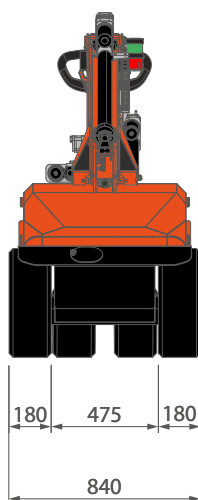
[m] [kg]

OVERALL DIMENSIONS

INDOOR WHEELS

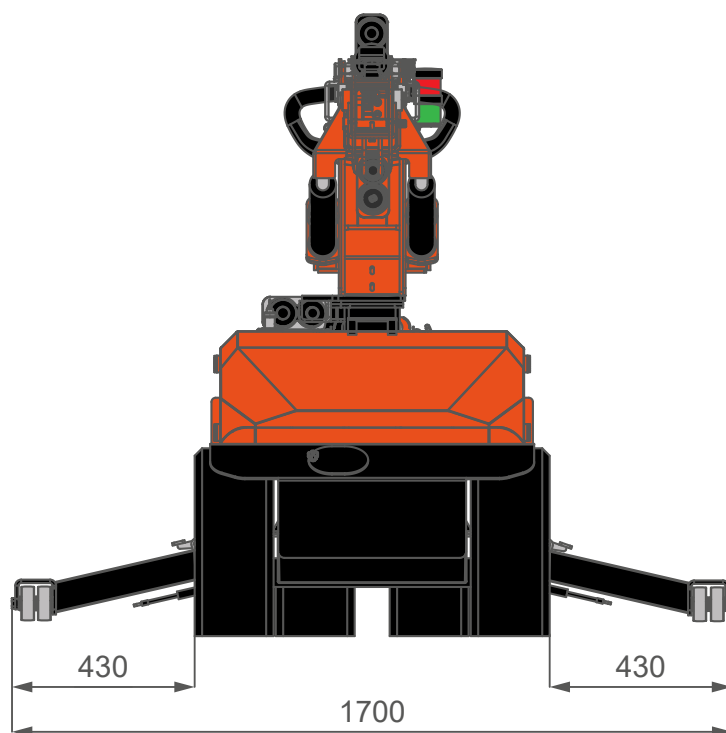


OUTDOOR WHEELS

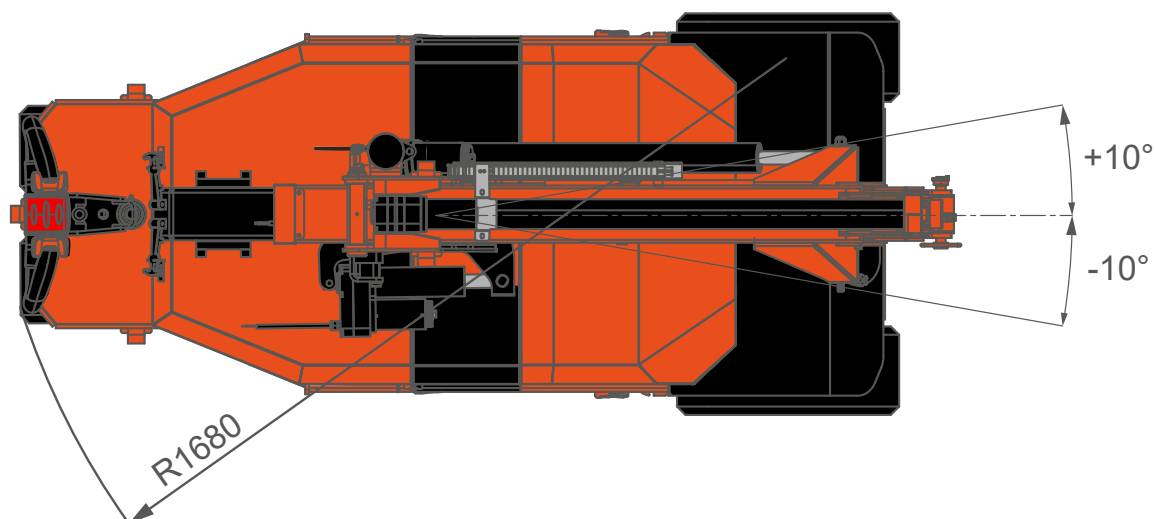


[mm]

OUTRIGGERS



BOOM SWING



[mm]

OVERALL INFORMATIONS

		DESCRIPTION	U.M	VALUE	
CRANE INFO		OVERALL DIMENSIONS	Height	mm	1.470
			Length		1.860
			Width		840
		BOOM	Length	m	1,2 - 2,8
			Speed	s	59
		SLEWING	Angle	°	-10°/+10°
			Speed	s	4
		LIFTING	Working Angle	°	-21°/55°
			Speed	s	40
		MAX CAPACITY		kg	600
		REAR WHEEL MAX LOAD		kg	280 ^[1]
		FRONT WHEEL MAX LOAD	Turret positioned at 0°		710 ^[2]
			Turret slewed by 10°		980 ^[2]
	TRAVEL SPEED		km/h	3,6	
	GRADEABILITY		°	13° (23%) ^[3]	
	WORKING TEMPERATURE		°C	-20°/+40°	
Lifting Class (UNI 4301-1)			A1		

WEIGHTS		CRANE	MPK06.2 (no counterweights)	kg	724 ^[4]
		COUNTERWEIGHT	CW1 (into frame)	kg	40
			CW2 (into hood)	kg	151
		TOTAL	MPK06.2	kg	915

ACCESSORIES		JIB	JIB-MPK06	kg	15
		JVM MANIPULATOR	JVM06 (standard configuration)	kg	120

BATTERY		BATTERY	Voltage	V	24
---------	--	---------	---------	---	----

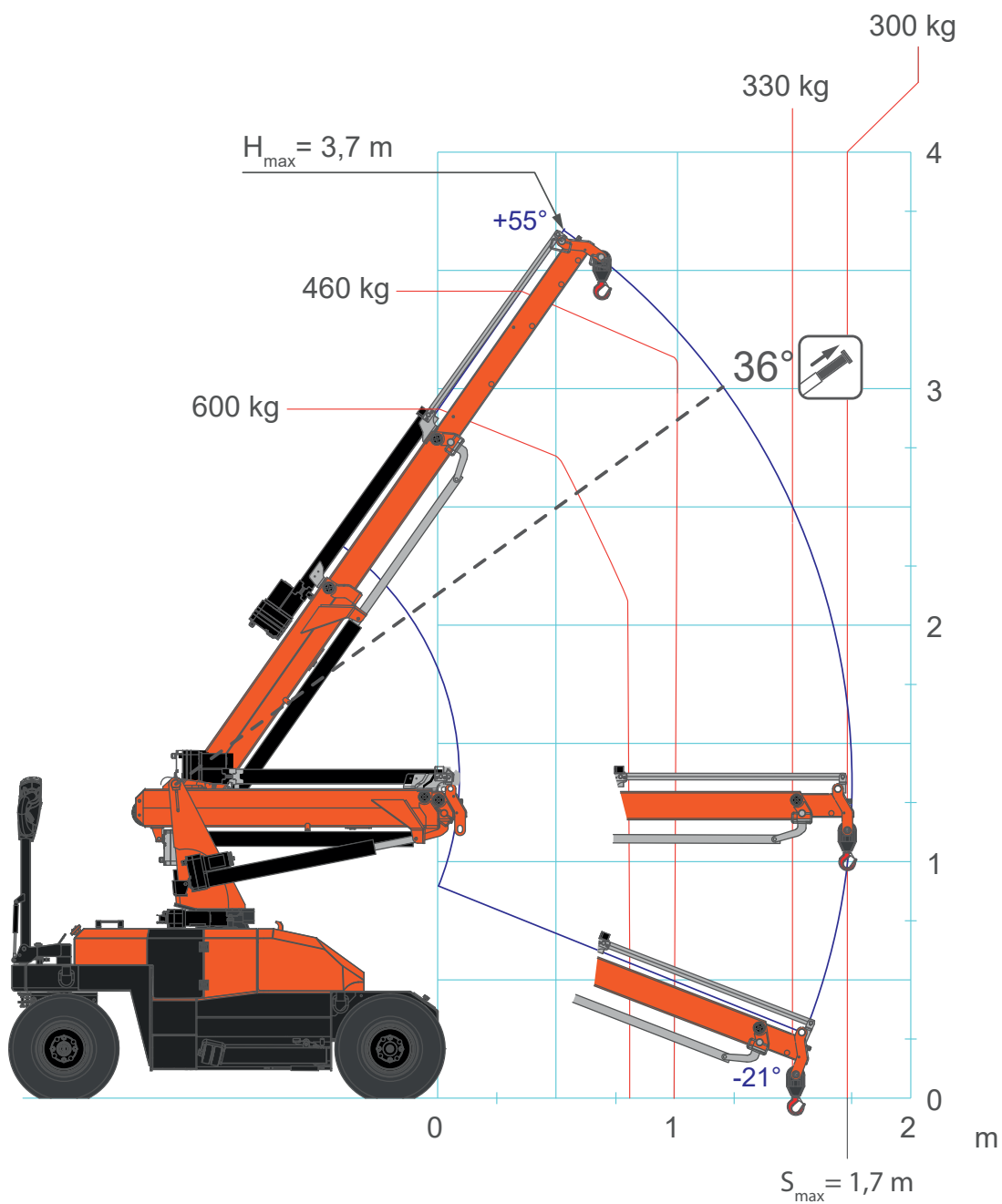
^[1]: Without load

^[2]: With load

^[3]: Max value only for short distance and a maximum of 30 seconds. Forward movement at maximum gradeability is intended with extended boom and without load.

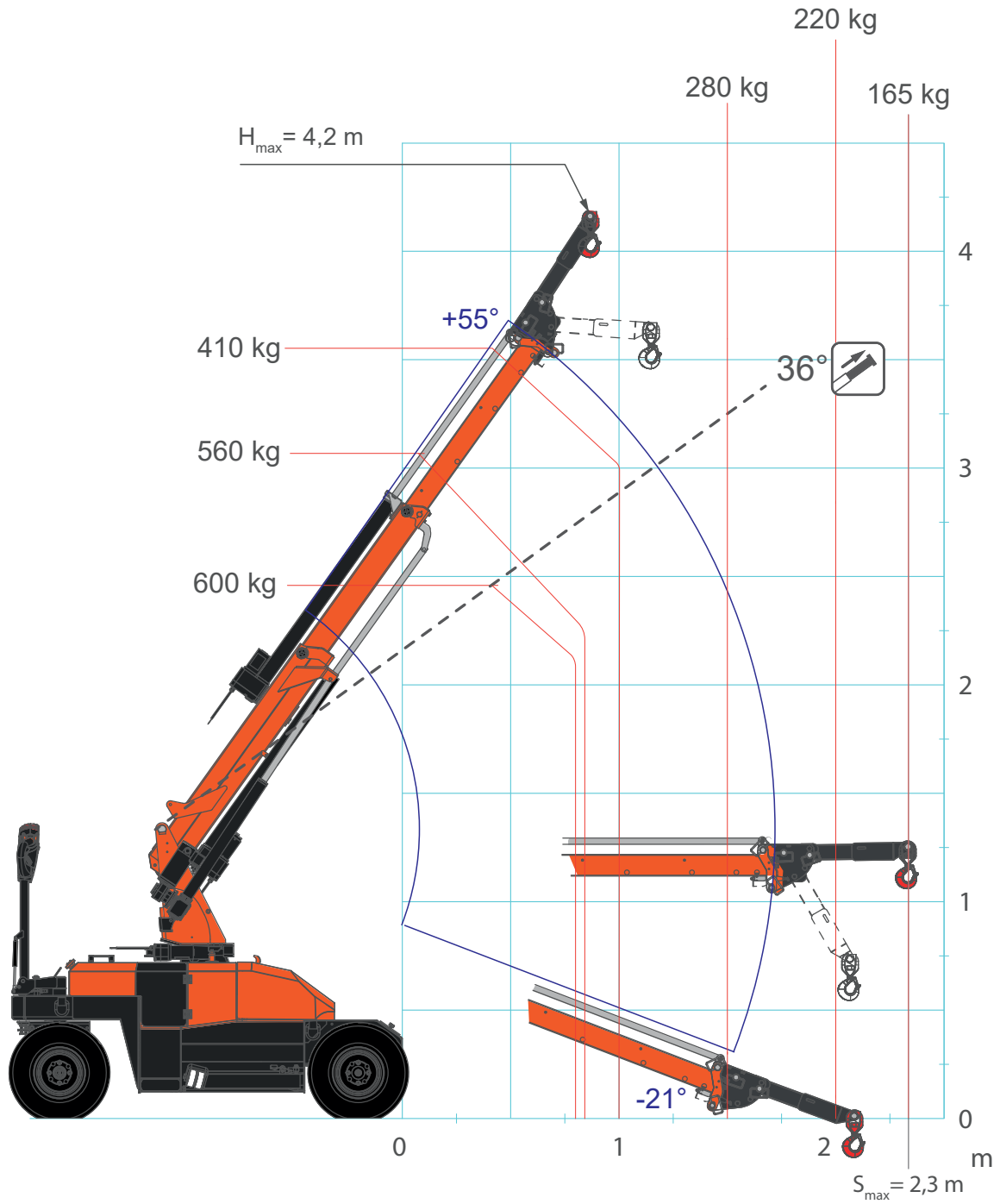
^[4]: Dry weight

MAIN BOOM



Over 36° boom angle
the 2nd extension can push 400 kg MAX

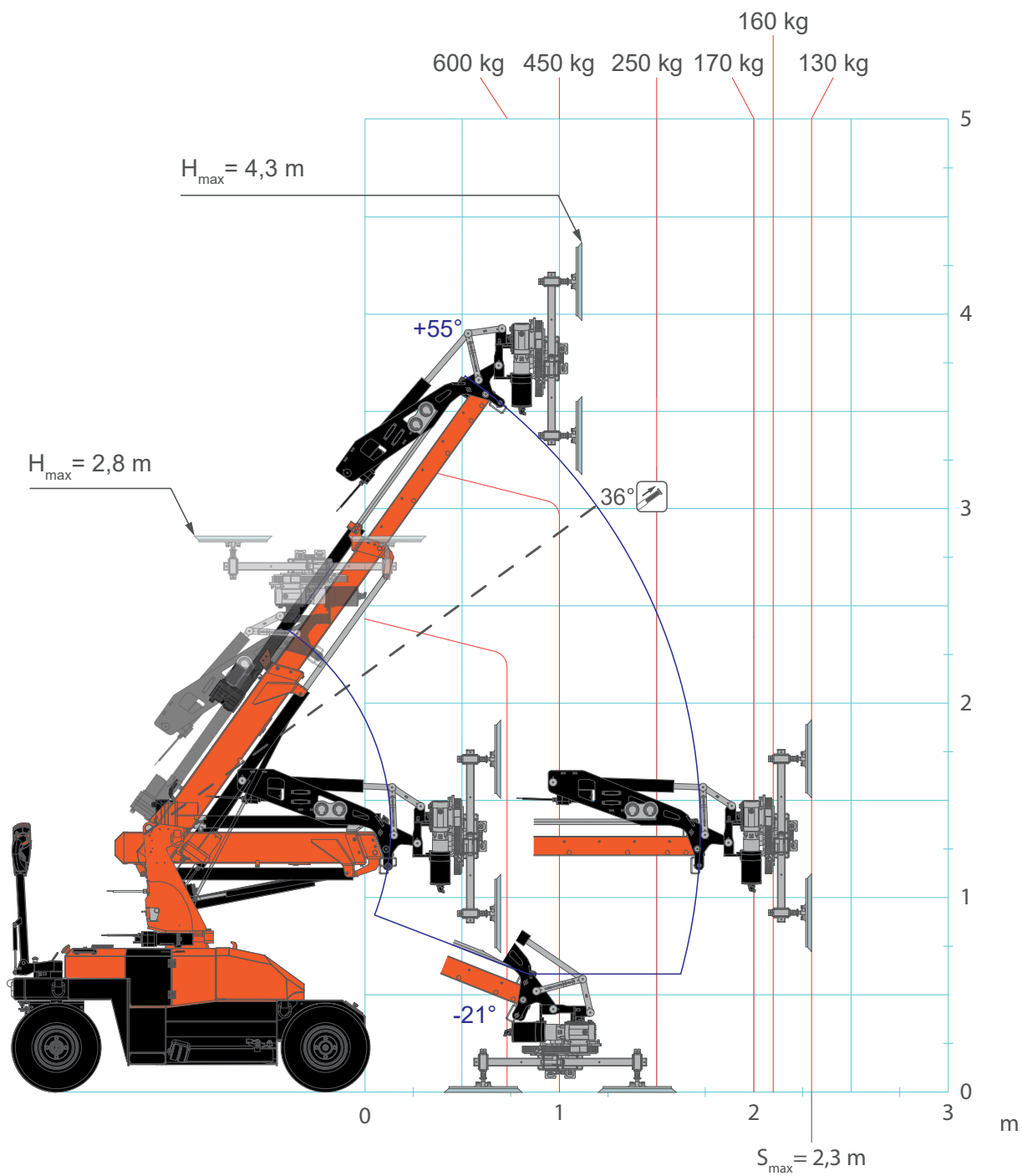
JIB-MPK06



Over 36° boom angle
the 2nd extension can push 385 kg MAX

JVM06.2

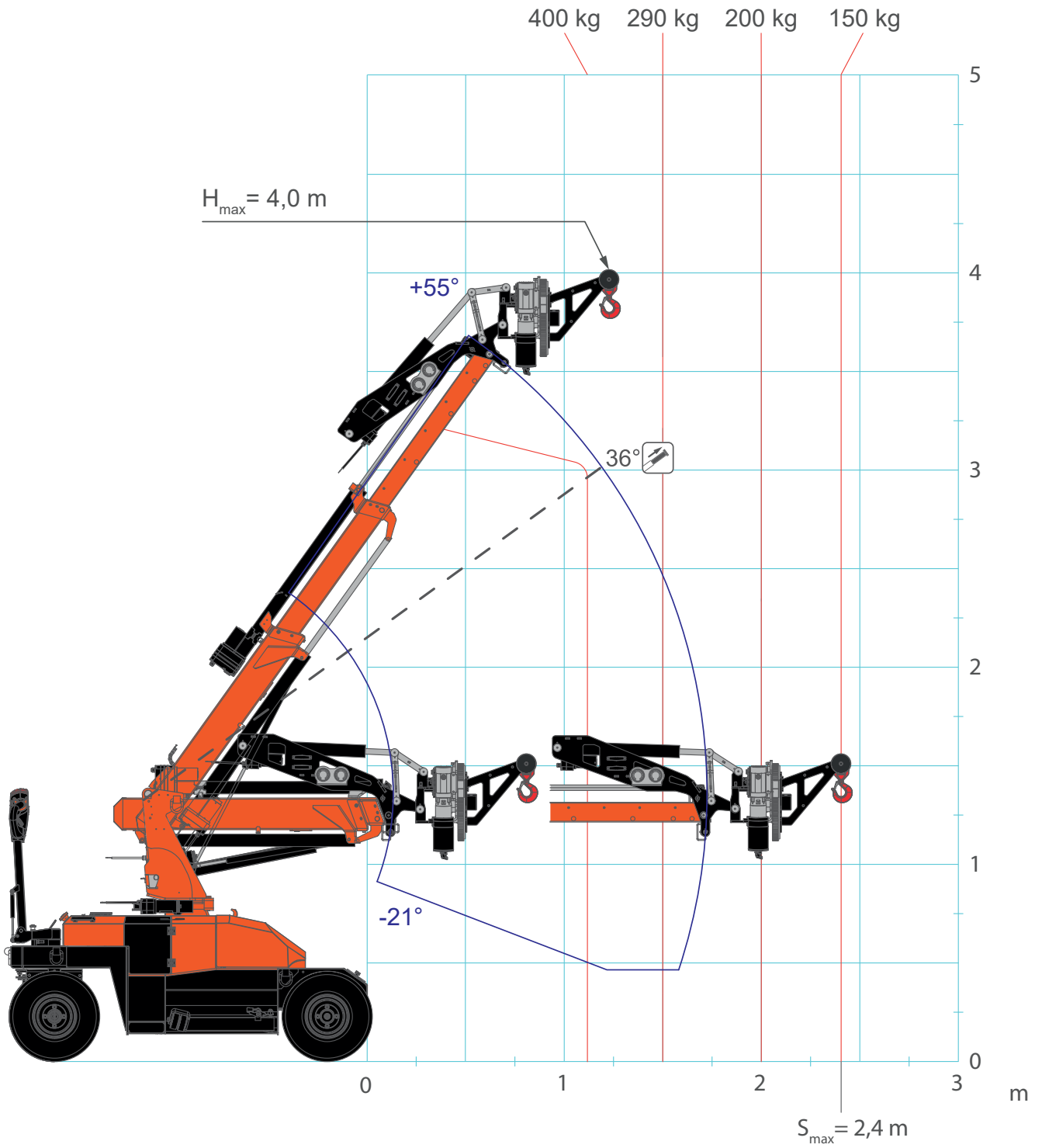
GLASS standard configuration (4 vacuum pads Ø400)



Over 36° boom angle
the 2nd extension can push 280 kg MAX

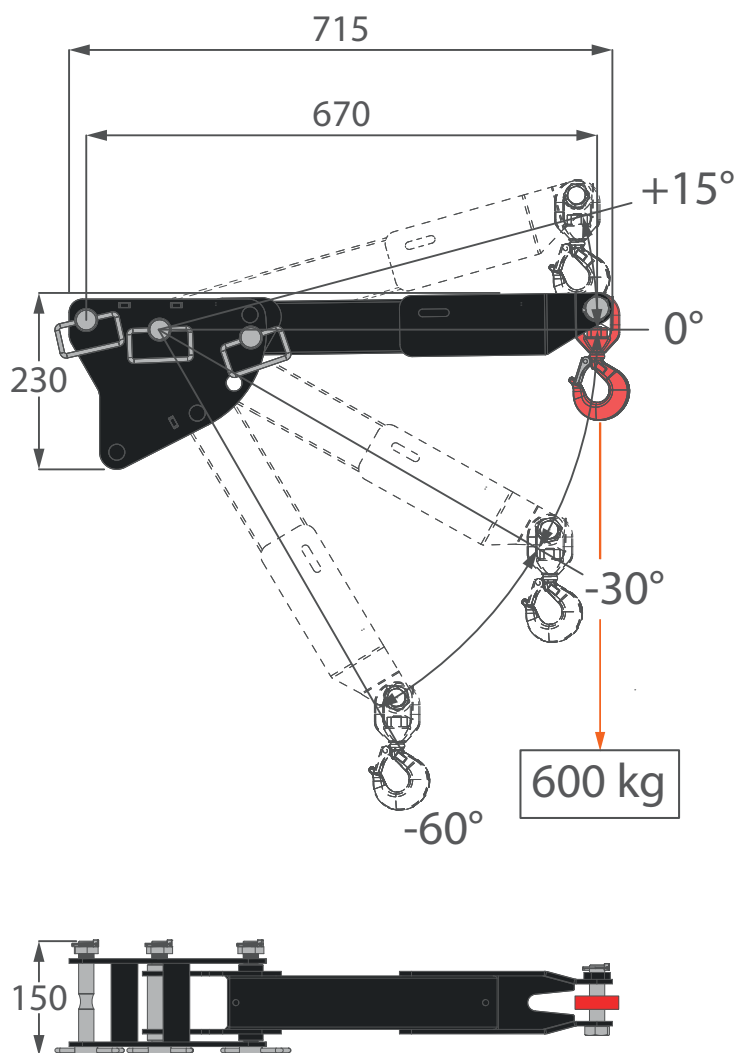
JVM06.2

JIB-JVM06-10 configuration



Over 36° boom angle
the 2nd extension can push 315 kg MAX

ACCESSORIES FEATURES JIB-MPK06

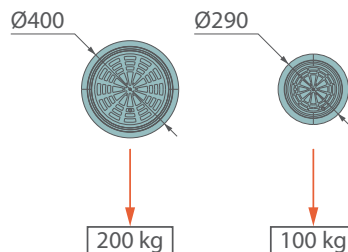
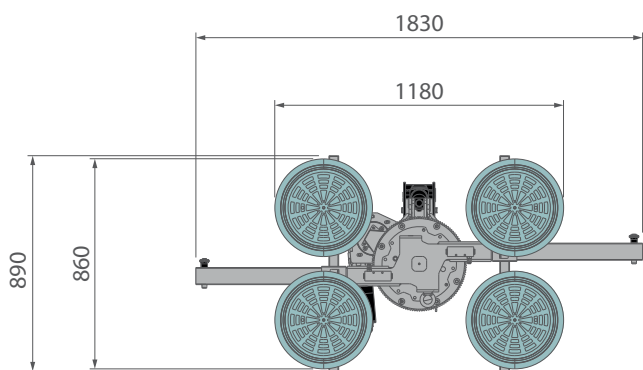
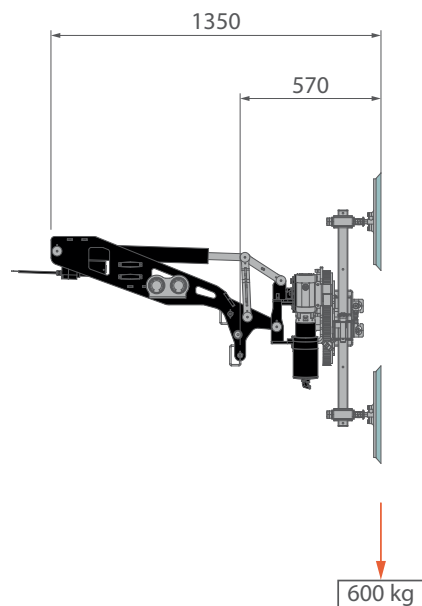
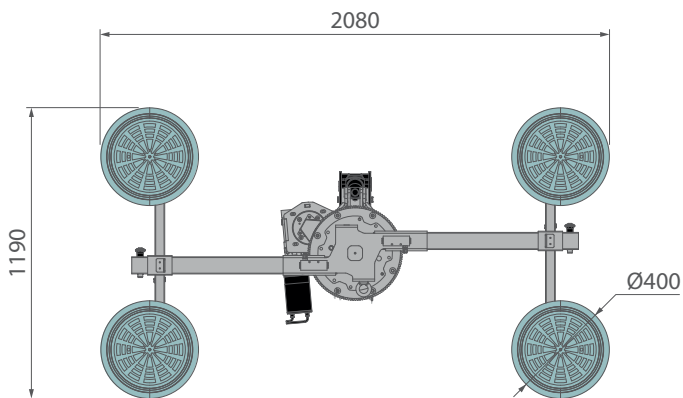



	JIB	JIB-MPK06	kg	15
--	-----	-----------	----	----

[mm]

JVM06.2

GLASS standard configuration (4 vacuum pads Ø400)



	JVM	JVM06.2 (standard configuration)	kg	120
---	------------	----------------------------------	----	-----

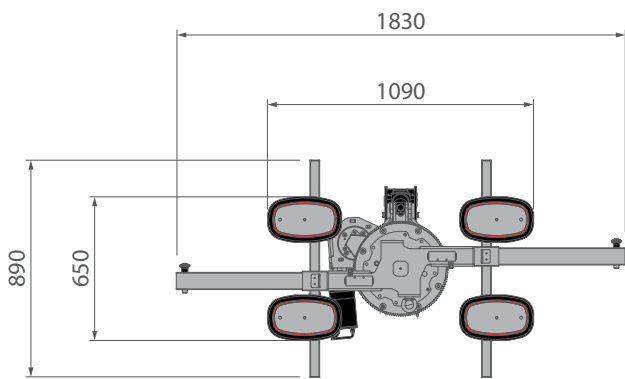
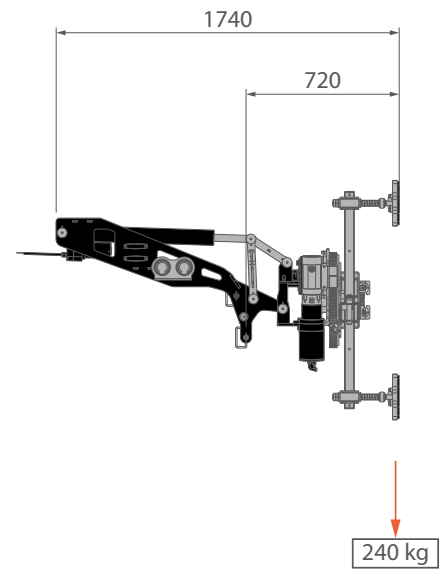
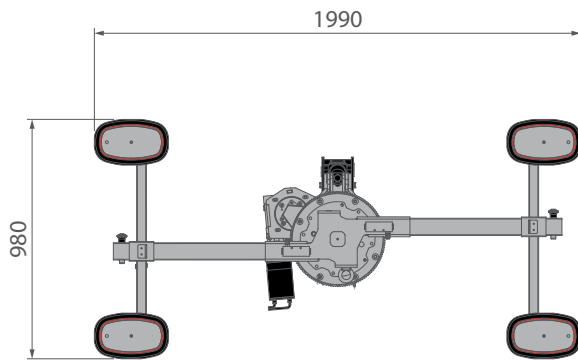
ACCESSORIES	Central pads support	kg	1
	Vertical pads support	kg	3,4
	Ø400 vacuum pad (x1)		4,8

OPTIONAL	Ø290 vacuum pad (x1)	kg	3,2
-----------------	----------------------	----	-----

[mm]

JVM06.2

MONOPANEL configuration (4 pads)

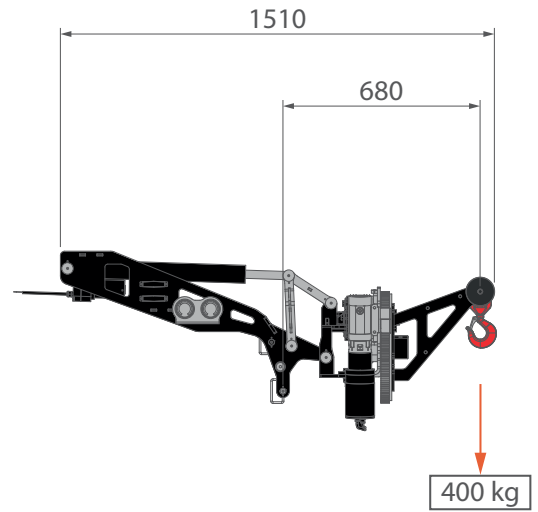
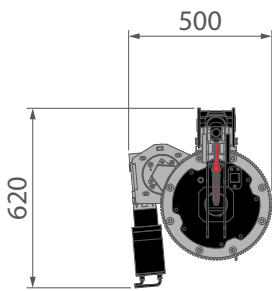


	JVM	JVM06.2 (monopanel configuration)	kg	110
--	------------	-----------------------------------	----	-----

[mm]

JVM06.2

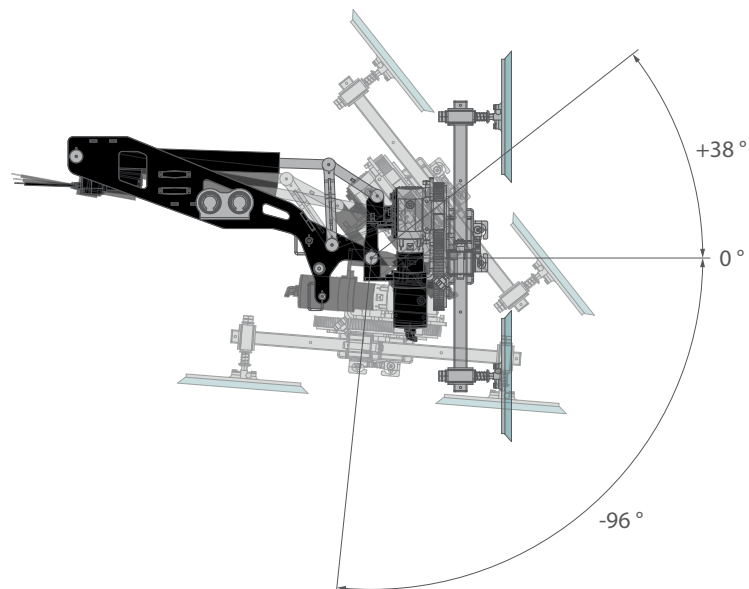
JIB-JVM06-10 configuration



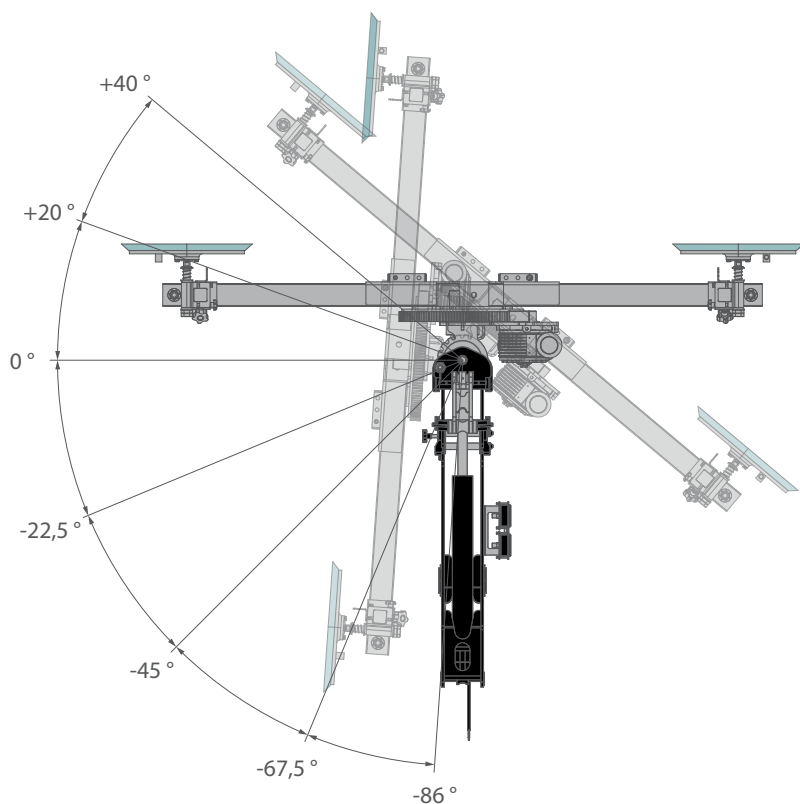
	JVM	JVM06.2 (JIB-JVM06-10 configuration)	kg	85
---	------------	--------------------------------------	----	----

JVM06.2

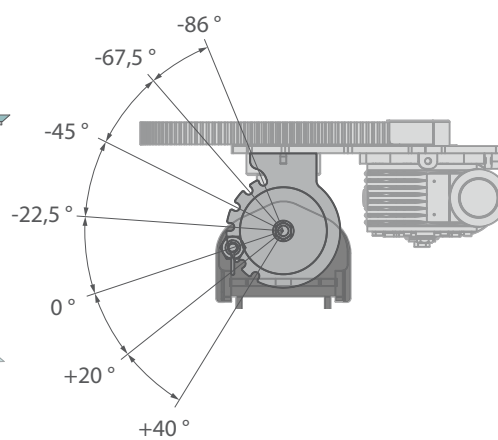
TILT



MECHANICAL SWING



PIN POSITIONS



SYMBOLS



Minipicker



Battery



Boom Angle



Weight



Travel Speed



Maximum Capacity



Boom Length



Back Wheel Loading Point



Gradeability



Slewing



Jib



Front Wheel Loading Point



JVM Manipulator



Working Temperature

REMARKS REFERRING TO LOAD CHART

- Load tables have been calculated following the EN 13000:2014 standard.
- Load tables have been calculated considering a wind load of 13,8 m/s, a sail area of 1m²/t and a drag coefficient of 1,2.
- Load capacities are given in kg.
- Hookblocks and hooks weight is part of the load, hence it shall be deducted from the capacity values.
- The working radius is measured from the front plate of the frame.
- The supplied Technical Data is part of the Use & Maintenance Manual.
- Features and specifications may change without prior advice.
- All indicated data are for informational purposes only and are not binding as the crane performs differently depending on its use.



Jekko s.r.l.

Via Campardone, 1 - 31014 Colle Umberto (TV) - Italy
info@jekko.it - www.jekko-cranes.com

06.12.2024 | Rev0.1

SERIAL NUMBER:

