



Technical Data

Specifications & Capacities

SPX650

Translation of the original instructions

[m] [kg]

24.04.2026 | REV2.1

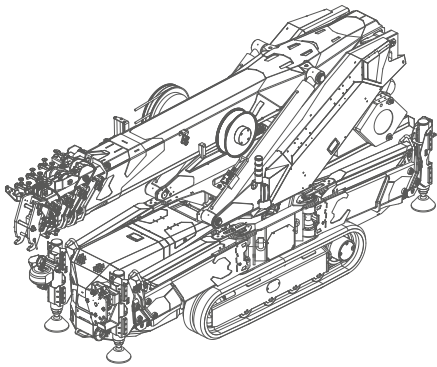


EN 13000:2014

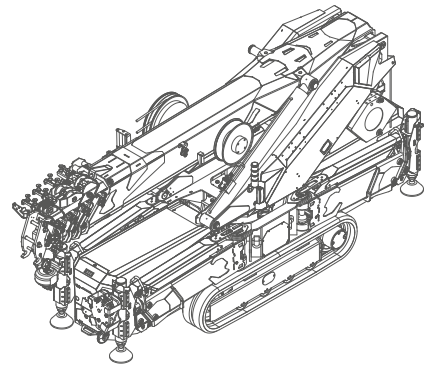
INDEX

Index	2
Crane configuration	3
CDH-3B	4
Overall dimensions	4
Overall informations	5
CL-2	8
Overall dimensions	8
Overall Informations	9
Winch	12
Hookblock.....	13
Winch rope maximum reach.....	14
Stability areas	15
Tipping line - Load chart selection	16
Stability examples	17
Main boom load chart.....	20
Main boom load tables	21
Main boom load chart - Pick & Carry	24
Main boom load tables - Pick & Carry.....	25
JIB2000GX load chart.....	26
JIB2000GX load tables	27
JIB2000GX load chart- Pick & Carry	30
JIB2000GX load table - Pick & Carry.....	31
JIB1200.3HX load chart.....	32
JIB1200.3HX load tables.....	34
JIB500GR load chart.....	38
JIB500GR load tables.....	39
JIB1000GR load chart	42
JIB1000GR load tables.....	43
JIB1200.3HX features	46
JIB2000GX features	47
JIB500GR features	48
JIB1000GR features	49
Symbols	50

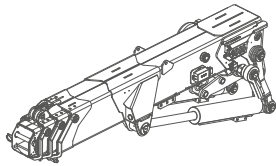
CRANE CONFIGURATION



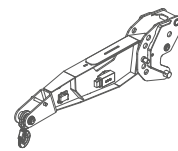
SPX650 CDH-3B



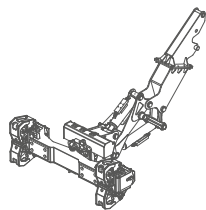
SPX650 CL-2



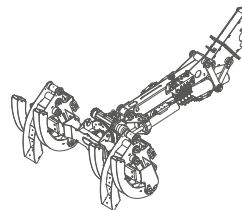
JIB1200.3HX



JIB2000GX



JIB500GR



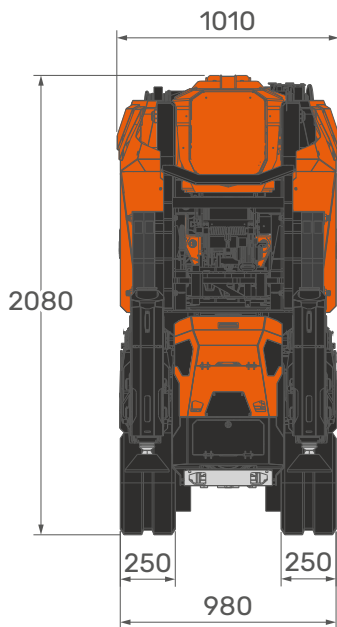
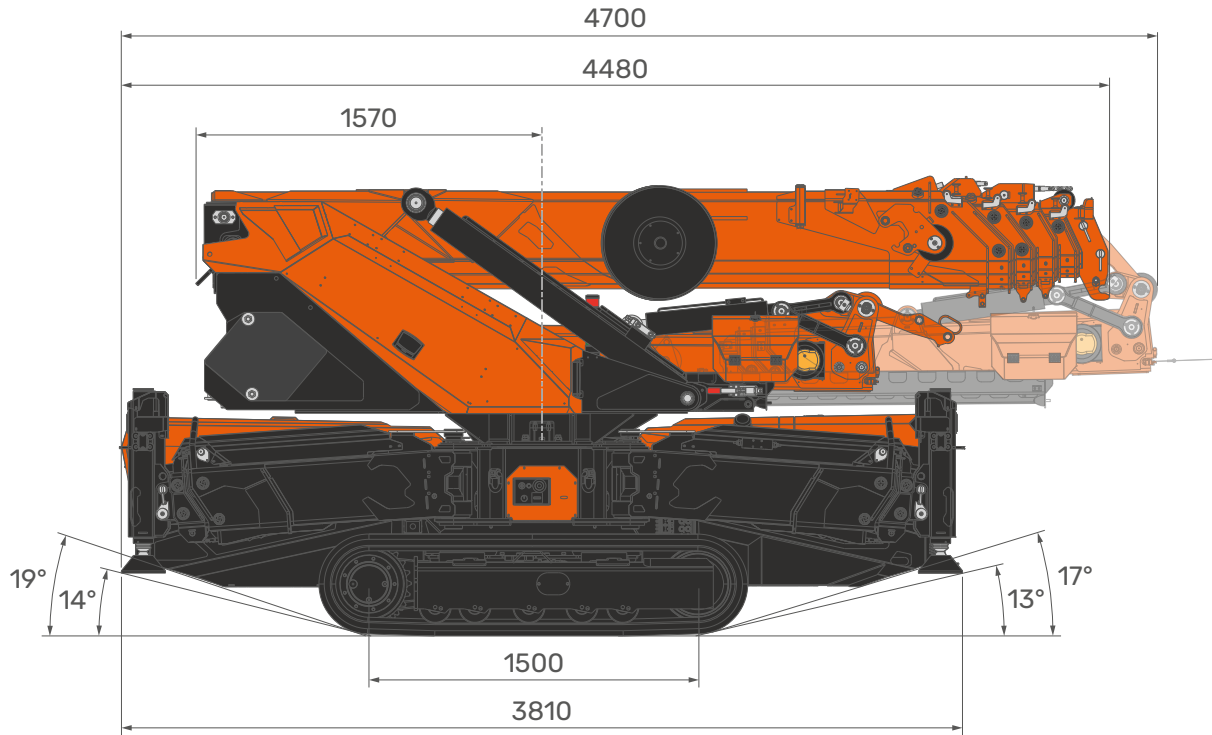
JIB1000GR

SPX650 CDH-3B

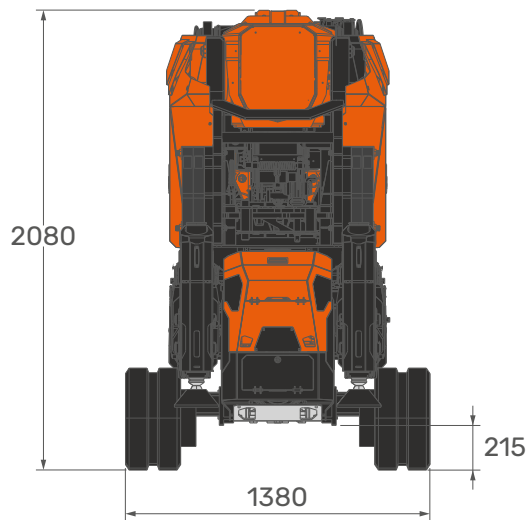
24.04.2026 | REV2.1

Overall dimensions

OVERALL DIMENSIONS



CLOSED TRACKS



EXTENDED TRACKS

OVERALL INFORMATIONS

	DESCRIPTION	U.M.	VALUE
OVERALL DIMENSIONS	Height		2.080
	Length	mm	4,480
	Width		1.010
BOOM	Length	m	4,0/15,4
	Speed	s	40 (4,0/15,4 m)
SLEWING	Angle	°	360°
	Speed	rpm	1
LIFTING	Working Angle	°	0°/82°
	Speed	s	25 (0°/50°)
MAX CAPACITY		kg	5.000
MAX OUTRIGGERS LOAD		kg	4.700 ^[1]
TRACK LOAD		kg/cm ²	0,80
TRAVEL SPEED	Slow	km/h	1,9
	Fast		2,9
MAX GRADEABILITY		°	17°(30%) ^[2]
WORKING TEMPERATURE		°C	-10°/+40°
SOUND EMISSIONS		dB	100
MAX WIND SPEED IN WORKING CONDITIONS		m/s	13,8
Lifting Class (UNI 4301-1)			A1

^[1]: Static Lifting

^[2]: Engine work limit

SPX650 CDH-3B

24.04.2026 | REV2.1

Overall informations

WEIGHT



CRANE	Standard configuration	kg	5.800 ^{[1][2]}
HOOKBLOCK	1 ton single line hook	kg	27
	5T-D7		41

ACCESSORIES



JIB	2000GX	kg	50
	1200.3HX		480
	500GR		270
	1000GR		380
WINCH	W800.80-2	kg	52
	W800.85-P-2		70
HYDRAULIC ACTIVATION	HA-SPX650	kg	39
WINTER KIT	WUK-03.1	kg	3
POWERPACK	3-Phase Electric Motor Pump	kg	90
OUTRIGGERS MATS	Outriggers mats (exagonals) (x4)	kg	28

^[1]: Dry weight

^[2]: Estimated fluids weight = 150 kg

ENGINE		Power Supply		Diesel		
		ENGINE	Power	kW	18,5	
			HP	25		
Tank Capacity	L	30				

POWERPACK		POWER SUPPLY		PP400-9.B2 (CE)		3 PH + N + PE	
				PP220-4.B2 (UL-CSA)		3 PH + PE	
		3-PHASE KIT	PP400-9.B2 (CE)	Voltage	V	400	
				Frequency	Hz	50	
				Motor Power	kW	9,3	
			PP220-4.B2 (UL-CSA)	Voltage	V	220	
				Frequency	Hz	60	
				Motor Power	kW	9,3	
		BATTERY CHARGER	PP400-9.B2 (CE)	Charge	V	12	
					Ah	25	
PP220-4.B2 (UL-CSA)	Charge		V	12			
			Ah	25			

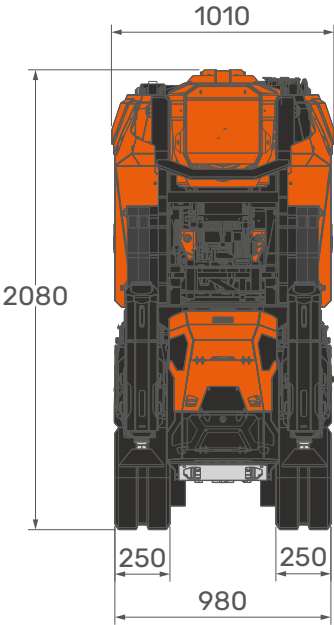
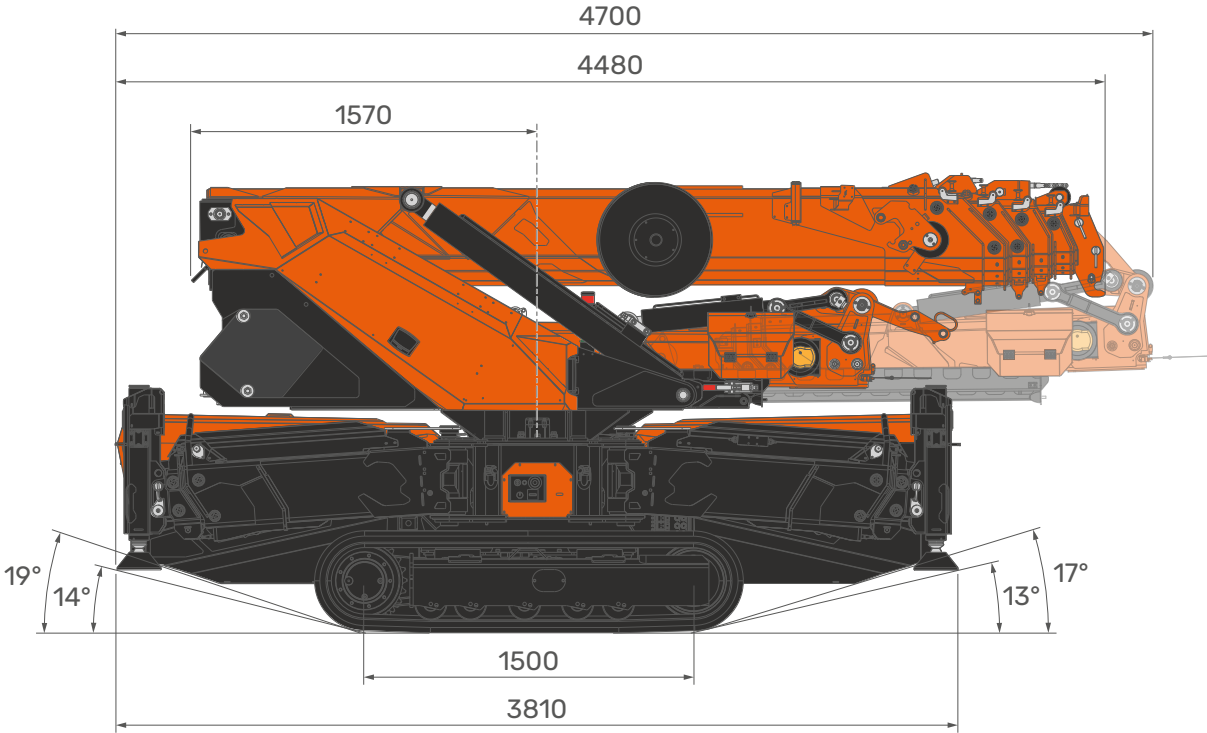
HYDRAULIC SYSTEM		MAX WORKING PRESSURE		bar	230	
		TANK CAPACITY		L	70	
		HYDRAULIC SYSTEM CAPACITY		L	120	
		OIL	OIL-650	Biodegradable	ISO VG46	
			ARTIC-OIL-650	Mineral	ISO VG46	
		MAIN PUMP	Variable Displacement	cm ³ /rev	30	
			Max Oil Flow	L/min	65	

SPX650 CL-2

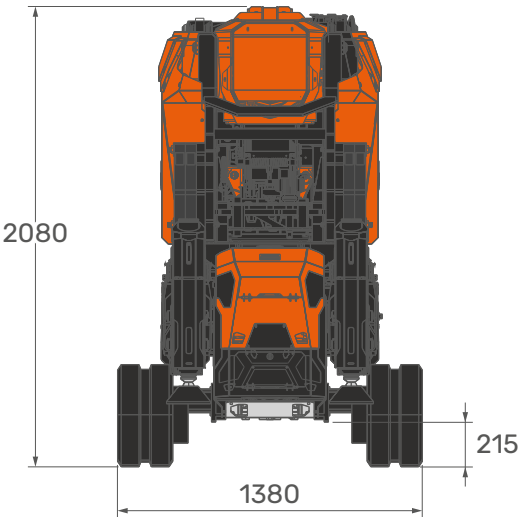
Overall dimensions

24.04.2026 | REV2.1

OVERALL DIMENSIONS



CLOSED TRACKS



EXTENDED TRACKS

[mm]

OVERALL INFORMATIONS

CRANE INFO



	DESCRIPTION	U.M.	VALUE
OVERALL DIMENSIONS	Height		2.080
	Length	mm	4,480
	Width		1.010
BOOM	Length	m	4,0/15,4
	Speed	s	40 (4,0/15,4 m)
SLEWING	Angle	°	360°
	Speed	rpm	1
LIFTING	Working Angle	°	0°/82°
	Speed	s	25 (0°/50°)
MAX CAPACITY		kg	5.000
MAX OUTRIGGERS MAX LOAD		kg	4.700 ^[1]
TRACK LOAD		kg/cm ²	0,79
TRAVEL SPEED	Slow	km/h	1,9
	Fast		2,9
MAX GRADEABILITY		°	17°(30%)
WORKING TEMPERATURE		°C	-10°/+40°
MAX WIND SPEED IN WORKING CONDITIONS		m/s	13,8
Lifting Class (UNI 4301-1)			A1

^[1]: Static lifting

SPX650 CL-2

24.04.2026 | REV2.1

Overall informations

WEIGHT



CRANE	Standard Configuration	kg	5.800 ^{[1][2]}
HOOKBLOCK	1 ton single line hook	kg	27
	5T-D7		41

ACCESSORIES



JIB	2000GX	kg	50
	1200.3HX		480
	500GR		270
	1000GR		380
WINCH	W800.80-2	kg	52
	W800.85-P-2		70
HYDRAULIC ACTIVATION	HA-SPX650	kg	39
WINTER KIT	WUK-03.1	kg	3
OUTRIGGERS MATS	Outriggers mats (exagonal) (x4)	kg	28

^[1]: Dry weight

^[2]: Estimated fluids weight = 150 kg

MOTOR		ELECTRIC MOTORIZATION	Power Supply		Lithium Battery	
			Battery Voltage	V	46	
			Battery Capacity	Ah	400	
			Motor Power	kW	16	

ELECTRICAL SYSTEM		POWER SUPPLY	CE	1 PH (230V) + N + PE		
			UL-CSA	1 PH (110/220V) + N + PE		
				2x 1 PH (110/220V) + PE		

BATTERY CHARGER	CE	1 PH (230V) + N + PE	Charge	V	48	
				Ah	40	
		UL-CSA	1 PH (110/220V) + N + PE	Charge	V	48
					Ah	20
			2x 1 PH (110/220V) + PE	Charge	V	48
					Ah	40

EXTERNAL CHARGER		POWER SUPPLY	CE	3 PH (400V) + PE		
-------------------------	--	---------------------	----	------------------	--	--

BATTERY CHARGER	CE	3 PH (400V) + PE	Charge	V	48
				Ah	140

HYDRAULIC SYSTEM		MAX WORKING PRESSURE		bar	230
		TANK CAPACITY		L	70
		HYDRAULIC SYSTEM CAPACITY		L	120
		OIL	OIL-1280	Biodegradable	ISO VG46
			ARTIC-OIL-1280	Mineral	ISO VG46
		MAIN PUMP	Variable Displacement	cm ³ /rev	35
			Max Oil Flow	L/min	65

WINCH

W800.80-2



LAYER	MAX PULL LINE	ROPE SPEED	
		SLOW	FAST
	kg	m/min	m/min
1	1.050 ^[1]	21,5	34,5
2	970 ^[1]	23	37
3	900 ^[1]	24,5	39,5
4	850 ^[1]	26,5	42
5	800 ^[1]	28	45

ROPE

WIRE ROPE	BREAKING LOAD	∅	TOTAL LENGTH
	kg	mm	m
Anti-twist 19x7 right lang lay	4.700	7	80

W800.85-P-2



LAYER	MAX PULL LINE	ROPE SPEED
		STANDARD
	kg	m/min
1	1.030 ^[1]	16
2	960 ^[1]	17
3	900 ^[1]	18
4	850 ^[1]	20
5	800 ^[1]	21

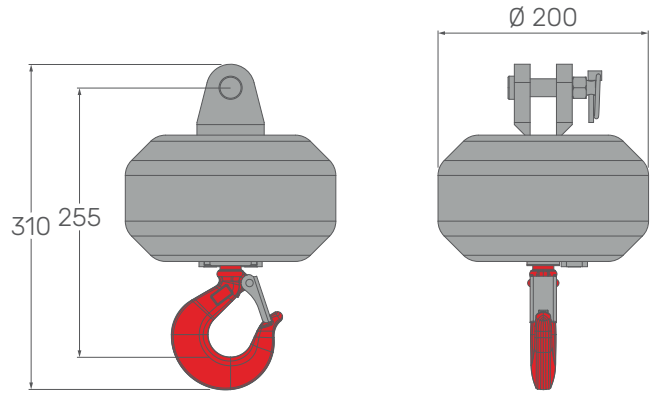
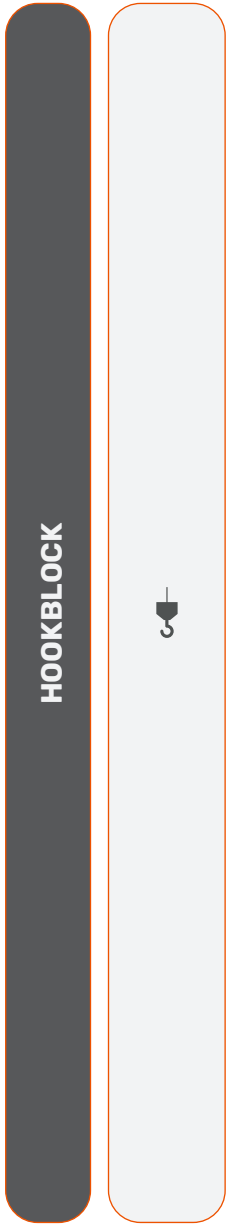
ROPE

WIRE ROPE	BREAKING LOAD	∅	TOTAL LENGTH
	kg	mm	m
Anti-twist 19x7 right lang lay	4.700	7	85

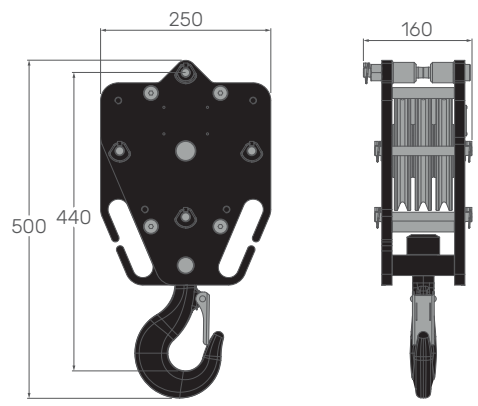
^[1]: LMI limited at 800 kg.

Maximum speed and maximum lifting capacity cannot be contemporary.

HOOKBLOCK



MODEL	LOAD		N° OF	
			Sheaves	Lines
1 ton single line hook	kg	800	-	1



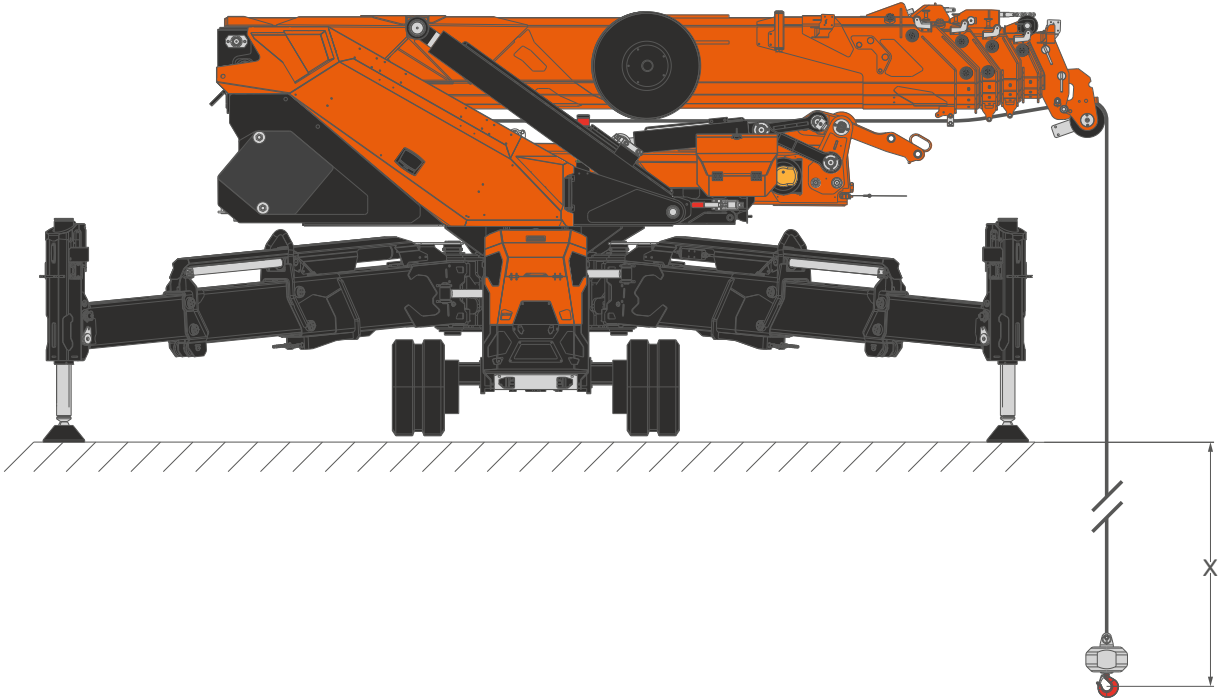
MODEL	LOAD		N° OF	
			Sheaves	Lines
5T-D7	kg	1.600	3	2
		3.200		4
		4.800		6

SPX650

Winch rope maximum reach

24.04.2026 | REV2.1

WINCH ROPE MAX REACH

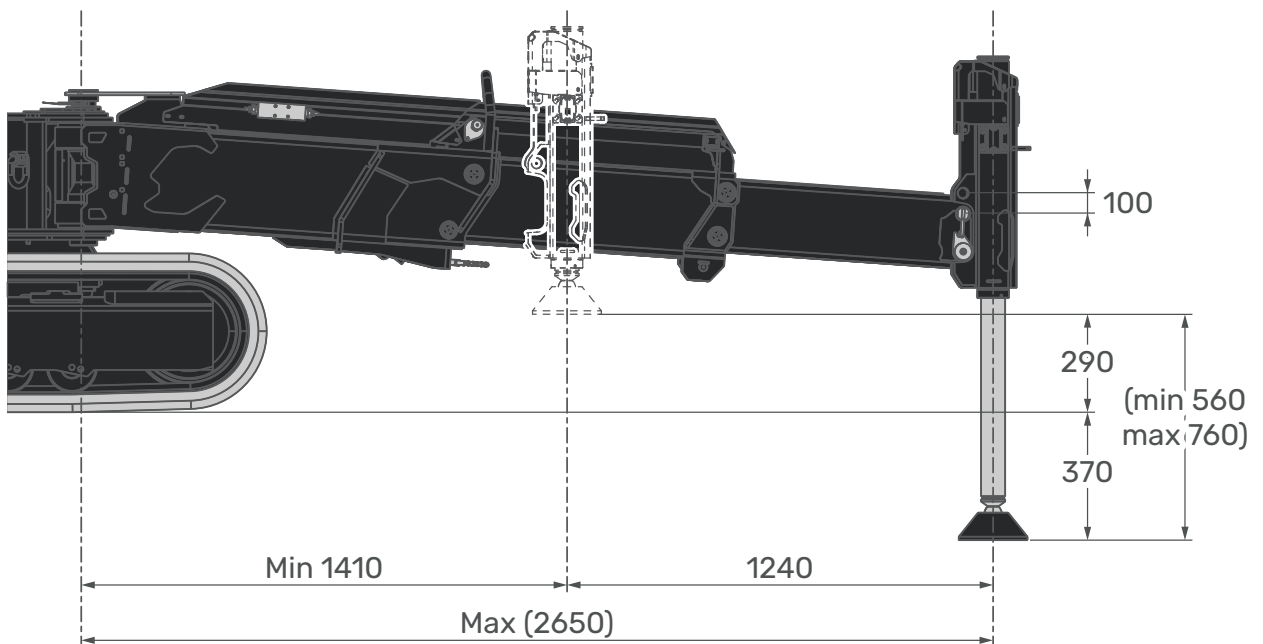
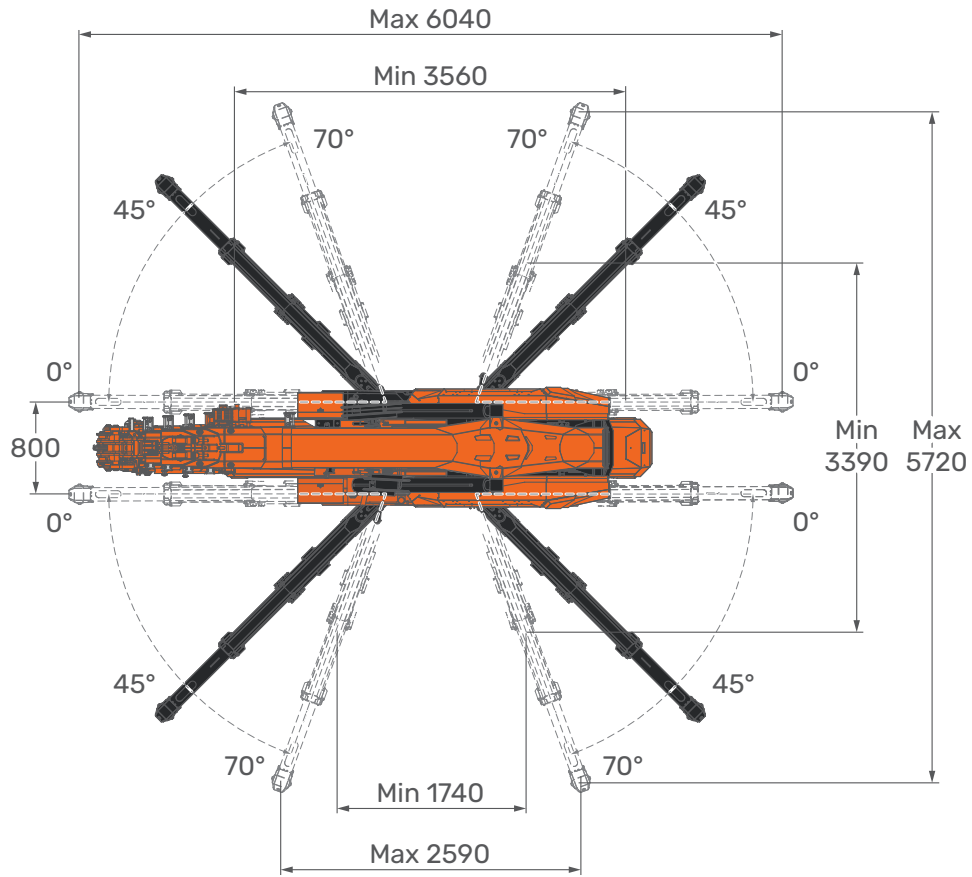


ROPE



WINCH	W800.80-2	m	73,0
	W800.85-P-2		77,5

STABILITY AREAS



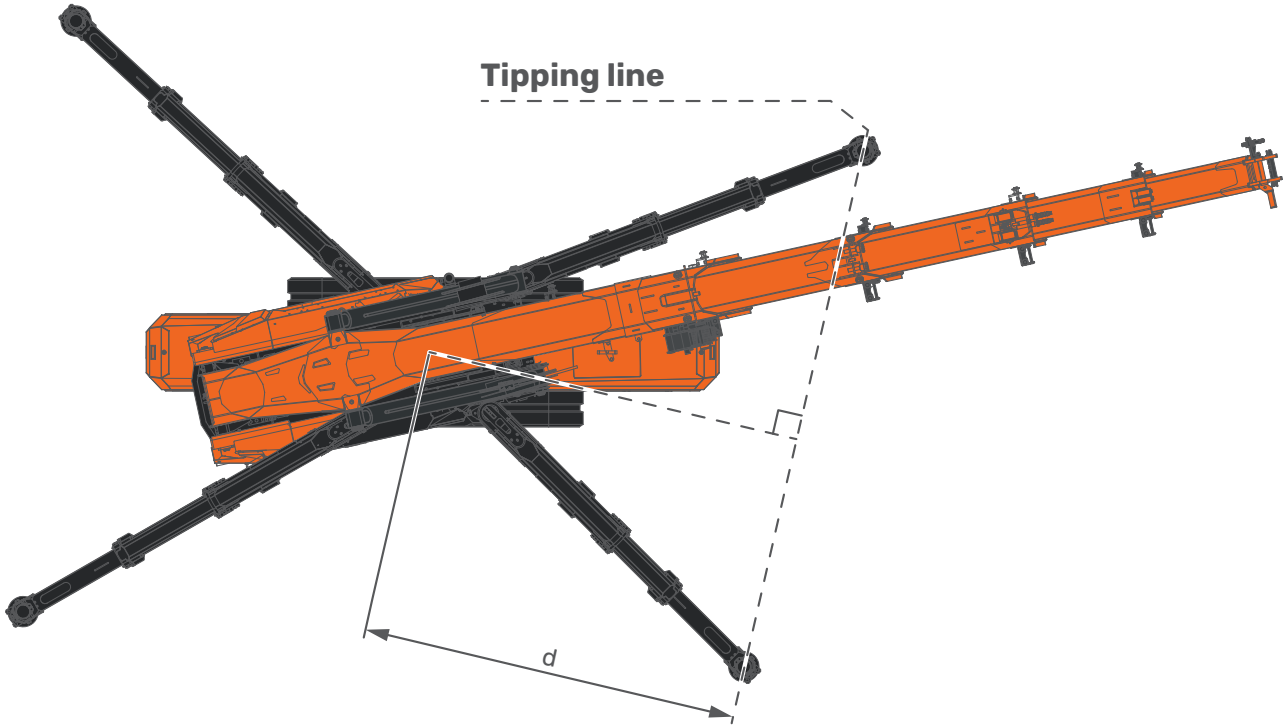
[mm]

SPX650

Tipping line - Load chart selection

24.04.2026 | REV2.1

TIPPING LINE



LOAD CHART SELECTION

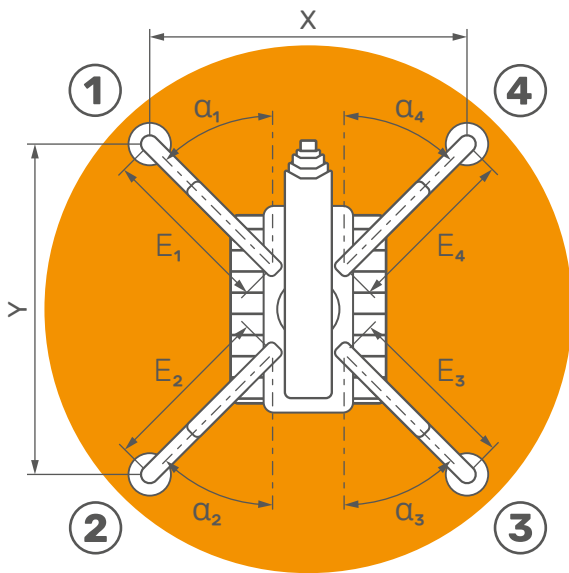
	d = 1,10m	d = 1,35m	d = 1,67m	d = 1,85m	d = 2,20m	d = 2,60m
LOAD CHART						J7
					J6	
				J5		
				J4		
			J3			
		J2				
	J1 - PICK & CARRY					
J0 - No LIFTING CAPACITY						

STABILITY AREA

LOAD CHART	FUNCTION
J2-J7	Crane Stabilized
J1	Pick & Carry
J0	No Lifting Capacity

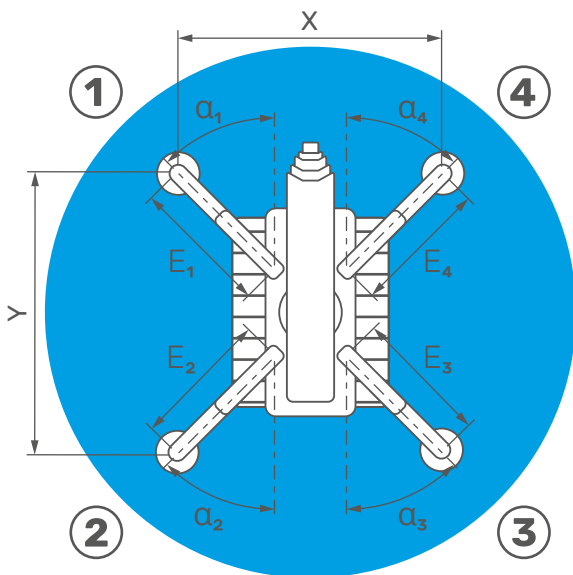
CRANE PERFORMANCE

STABILITY EXAMPLES



FULLY SYMMETRIC STABILITY

FOOTPRINT DIMENSIONS	X	4,5 m
Y	4,5 m	
OUTRIGGERS ANGLE	α_1	45°
	α_2	45°
	α_3	45°
	α_4	45°
OUTRIGGERS EXTENSION	E_1	2,6 m
	E_2	2,6 m
	E_3	2,6 m
	E_4	2,6 m
J6		360°



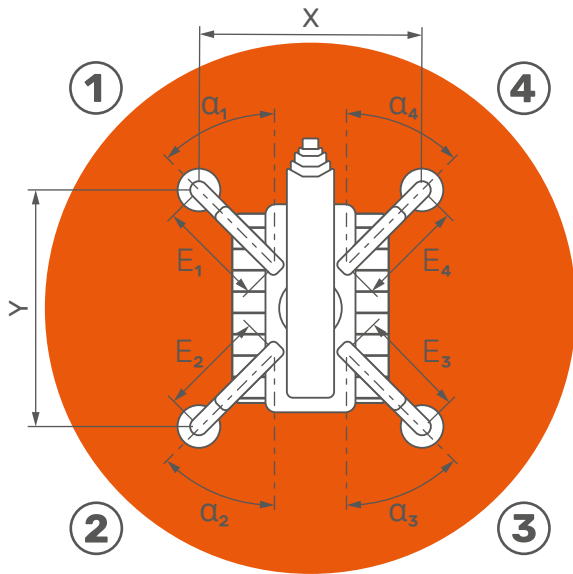
FULLY SYMMETRIC STABILITY

FOOTPRINT DIMENSIONS	X	3,6 m
Y	3,6 m	
OUTRIGGERS ANGLE	α_1	45°
	α_2	45°
	α_3	45°
	α_4	45°
OUTRIGGERS EXTENSION	E_1	2,0 m
	E_2	2,0 m
	E_3	2,0 m
	E_4	2,0 m
J4		360°

SPX650

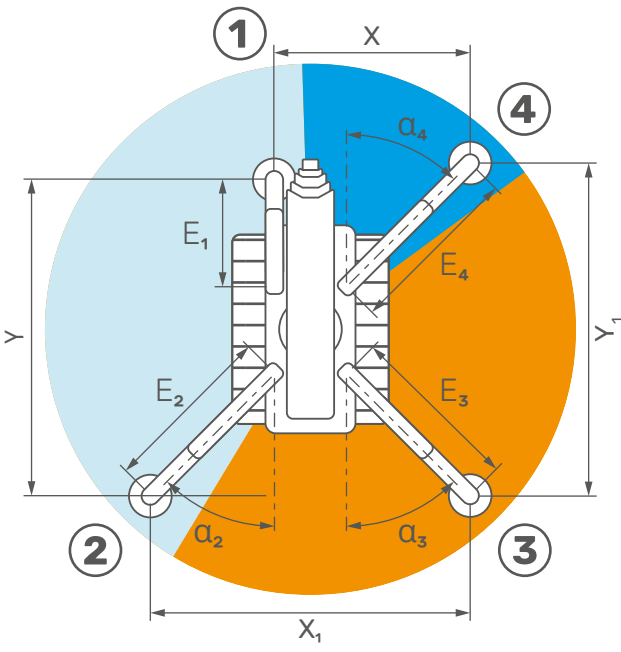
Stability examples

24.04.2026 | REV2.1



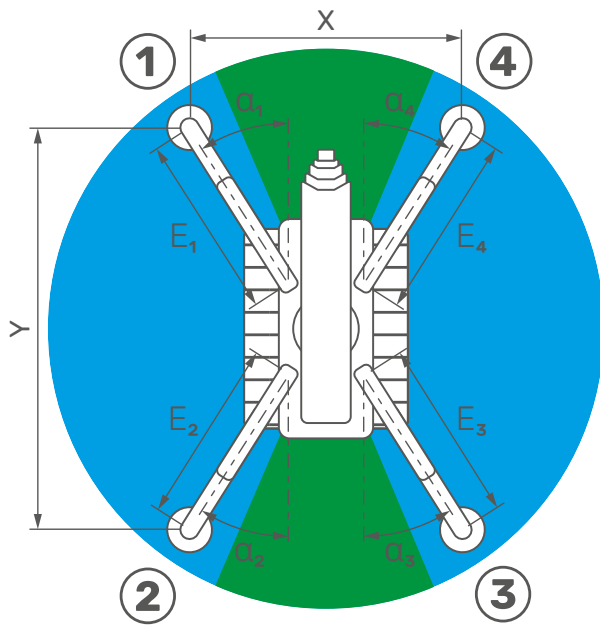
FULLY SYMMETRIC STABILITY

FOOTPRINT DIMENSIONS	X	2,8 m
OUTRIGGERS ANGLE	α_1	45°
OUTRIGGERS EXTENSION	E_1	1,4 m
	E_2	1,4 m
	E_3	1,4 m
	E_4	1,4 m
J3		360°



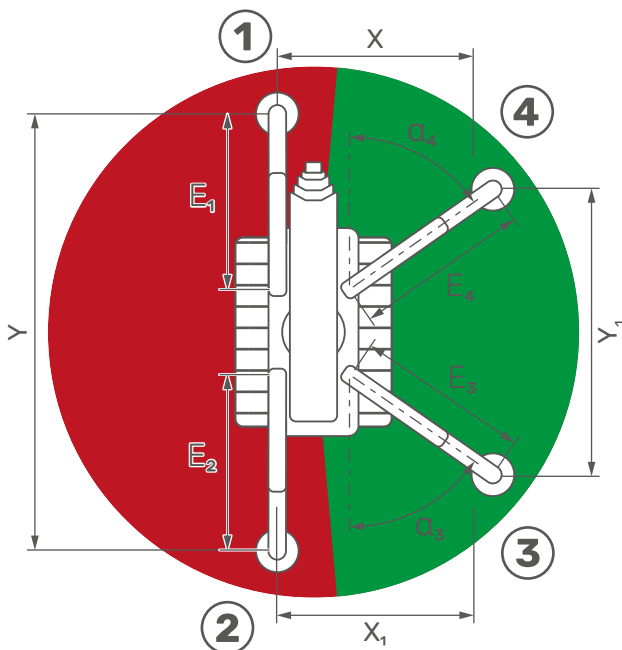
FULLY SYMMETRIC STABILITY

FOOTPRINT DIMENSIONS	X	2,7 m
OUTRIGGERS ANGLE	α_1	0°
OUTRIGGERS EXTENSION	E_1	1,4 m
	E_2	2,6 m
	E_3	2,6 m
	E_4	2,6 m
J2		146°
J4		58°
J6		156°



FULLY SYMMETRIC STABILITY

OUTRIGGERS DIMENSIONS	X	3,7 m
OUTRIGGERS ANGLE	α_1	32°
OUTRIGGERS EXTENSION	E_1	2,6 m
	E_2	2,6 m
	E_3	2,6 m
	E_4	2,6 m
	J4	2x 136°
	J7	2x 44°



FULLY SYMMETRIC STABILITY

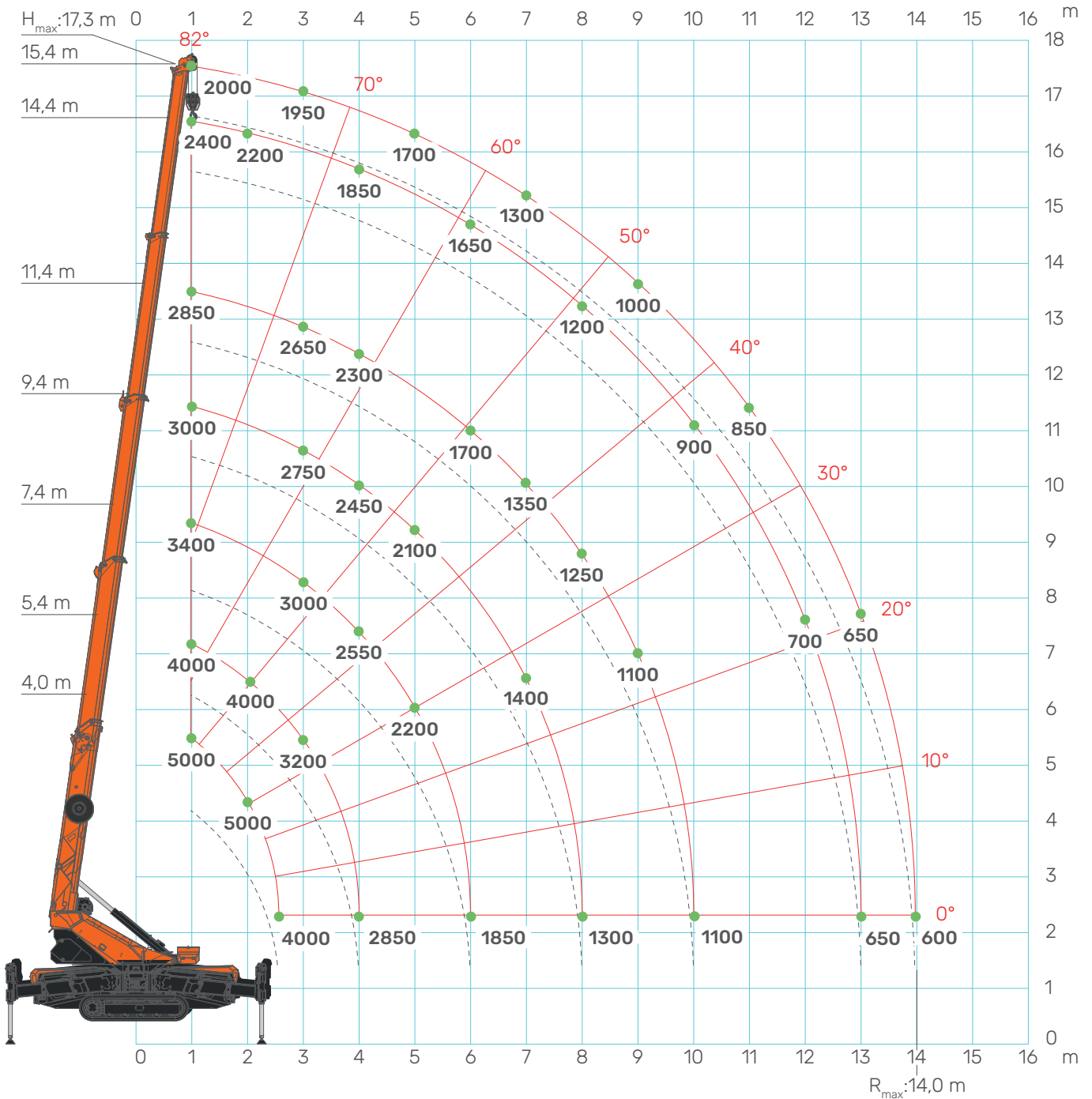
OUTRIGGERS DIMENSIONS	X	3,0 m
OUTRIGGERS ANGLE	α_1	0°
OUTRIGGERS EXTENSION	E_1	2,6 m
	E_2	2,6 m
	E_3	2,6 m
	E_4	2,6 m
	J0	195°
	J7	165°

SPX650

Main boom load chart

24.04.2026 | REV2.1

MAIN BOOM



CRANE PERFORMANCE: J7

L [m]→	4	4,05	5,4	6,4	7,4	8,4	9,4	10,4	11,4	12,4	14,4	15,4
1	5000	4000	4000	3700	3400	3000	3000	2900	2850	2800	2400	2000
2	5000	4000	4000	3500	3200	2900	2900	2800	2750	2700	2200	1950
3	4000	4000	3200	3100	3000	2800	2750	2700	2650	2300	2100	1900
4			2850	2600	2550	2500	2450	2400	2300	2000	1850	1800
5				2400	2200	2150	2100	2000	1950	1900	1750	1700
6					1850	1750	1700	1700	1700	1700	1650	1450
7						1450	1400	1400	1350	1350	1300	1300
8							1300	1250	1250	1200	1200	1200
9								1200	1100	1050	1000	1000
10									1100	1000	900	900
11										850	850	850
13											650	650
13,9												600
↑R[m]	[kg]	LC650_V307_0326_C0J7 - LC650_V307_0326_C1J7										

CRANE PERFORMANCE: J6

L [m]→	4	4,05	5,4	6,4	7,4	8,4	9,4	10,4	11,4	12,4	14,4	15,4
1	5000	4000	4000	3700	3400	3000	3000	2900	2850	2800	2400	2000
2	5000	4000	4000	3500	3200	2900	2900	2800	2750	2700	2200	1950
3	4000	4000	3200	3100	3000	2800	2750	2700	2650	2300	2100	1900
4			2850	2600	2550	2500	2450	2400	2300	2000	1850	1800
5				2400	2200	2150	2100	2000	1950	1900	1750	1700
6					1850	1750	1700	1700	1700	1700	1650	1450
7						1450	1400	1400	1350	1350	1300	1300
8							1200	1150	1150	1100	1100	1100
9								1000	980	950	950	940
10									860	840	820	820
11										700	700	700
13											550	550
13,9												480
↑R[m]	[kg]	LC650_V307_0326_C0J6 - LC650_V307_0326_C1J6										

SPX650

Main boom load tables

24.04.2026 | REV2.1

CRANE PERFORMANCE: J5

L [m]→	4	4,05	5,4	6,4	7,4	8,4	9,4	10,4	11,4	12,4	14,4	15,4
1	5000	4000	4000	3700	3400	3000	3000	2900	2850	2800	2400	2000
2	5000	4000	4000	3500	3200	2900	2900	2800	2750	2700	2200	1950
3	3500	3500	3200	3100	3000	2800	2750	2700	2650	2300	2100	1900
4			2700	2600	2550	2500	2450	2400	2300	2000	1850	1800
5				2300	2200	2150	2100	2000	1950	1900	1750	1700
6					1650	1650	1650	1650	1500	1500	1400	1400
7						1250	1250	1250	1250	1200	1200	1200
8							1000	1000	1000	1000	1000	1000
9								800	800	800	800	800
10									650	650	650	650
11										540	540	540
13											400	400
13,9												300
↑R[m]	[kg]	LC650_V307_0326_C0J5 - LC650_V307_0326_C1J5										

CRANE PERFORMANCE: J4

L [m]→	4	4,05	5,4	6,4	7,4	8,4	9,4	10,4	11,4	12,4	14,4	15,4
1	5000	4000	4000	3700	3400	3000	3000	2900	2850	2800	2400	2000
2	5000	4000	4000	3500	3200	2900	2900	2800	2750	2700	2200	1950
3	3500	3200	3200	3100	3000	2800	2750	2700	2650	2300	2100	1900
4			2700	2600	2550	2500	2450	2400	2300	2000	1850	1800
5				1750	1750	1750	1750	1750	1750	1650	1550	1500
6					1300	1300	1300	1300	1250	1250	1200	1200
7						1000	1000	1000	1000	1000	1000	1000
8							800	800	800	800	800	800
9								640	640	640	640	640
10									500	500	500	500
11										400	400	400
13											240	240
13,9												180
↑R[m]	[kg]	LC650_V307_0326_C0J4 - LC650_V307_0326_C1J4										

CRANE PERFORMANCE: J3

L [m]→	4	4,05	5,4	6,4	7,4	8,4	9,4	10,4	11,4	12,4	14,4	15,4
1	5000	4000	4000	3700	3400	3000	2700	2500	2500	2400	1900	1700
2	5000	4000	4000	3500	3000	2800	2600	2400	2300	2300	1800	1600
3	3000	2800	2800	2600	2400	2300	2300	2200	2200	2000	1700	1500
4			2000	2000	1900	1800	1800	1700	1600	1600	1500	1400
5				1350	1350	1350	1300	1300	1300	1250	1250	1250
6					1000	1000	1000	1000	900	900	850	850
7						700	700	700	700	700	700	700
8							500	500	500	500	500	500
9								400	400	400	400	400
10									300	300	300	300
11										200	200	200
↑R[m]	[kg]	LC650_V307_0326_C0J3 - LC650_V307_0326_C1J3										

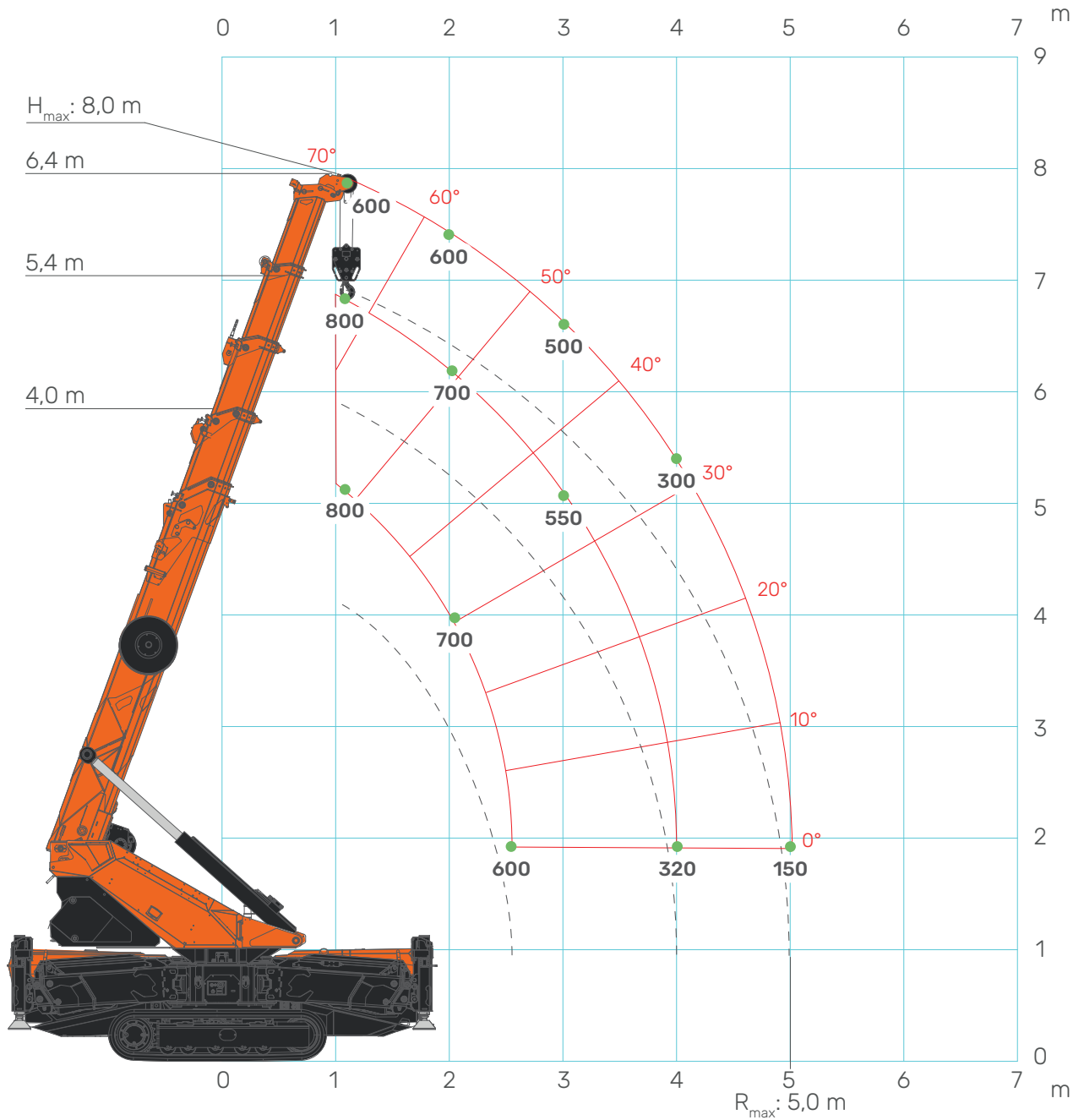
CRANE PERFORMANCE: J2

L [m]→	4	4,05	5,4	6,4	7,4	8,4	9,4	10,4	11,4	12,4	14,4	15,4
1	5000	3000	3000	2000	2000	2000	1500	1500	1500	1300	1200	1200
2	4000	2000	2000	1500	1200	1200	1200	1200	1200	1000	1000	1000
3	2000	1500	1500	1200	1000	1000	1000	1000	1000	900	800	800
4			1000	950	900	800	800	800	700	700	600	600
5				900	800	700	700	700	650	650	600	550
6					700	650	650	600	600	550	500	400
7						500	400	400	400	350	350	300
8							380	300	300	300	250	220
9								300	280	250	220	200
10									200	150	150	150
11										150	100	100
↑R[m]	[kg]	LC650_V307_0326_C0J2 - LC650_V307_0326_C1J2										

SPX650

Main boom load chart - Pick & Carry

24.04.2026 | REV2.1



CRANE PERFORMANCE: J1
(Pick & Carry)

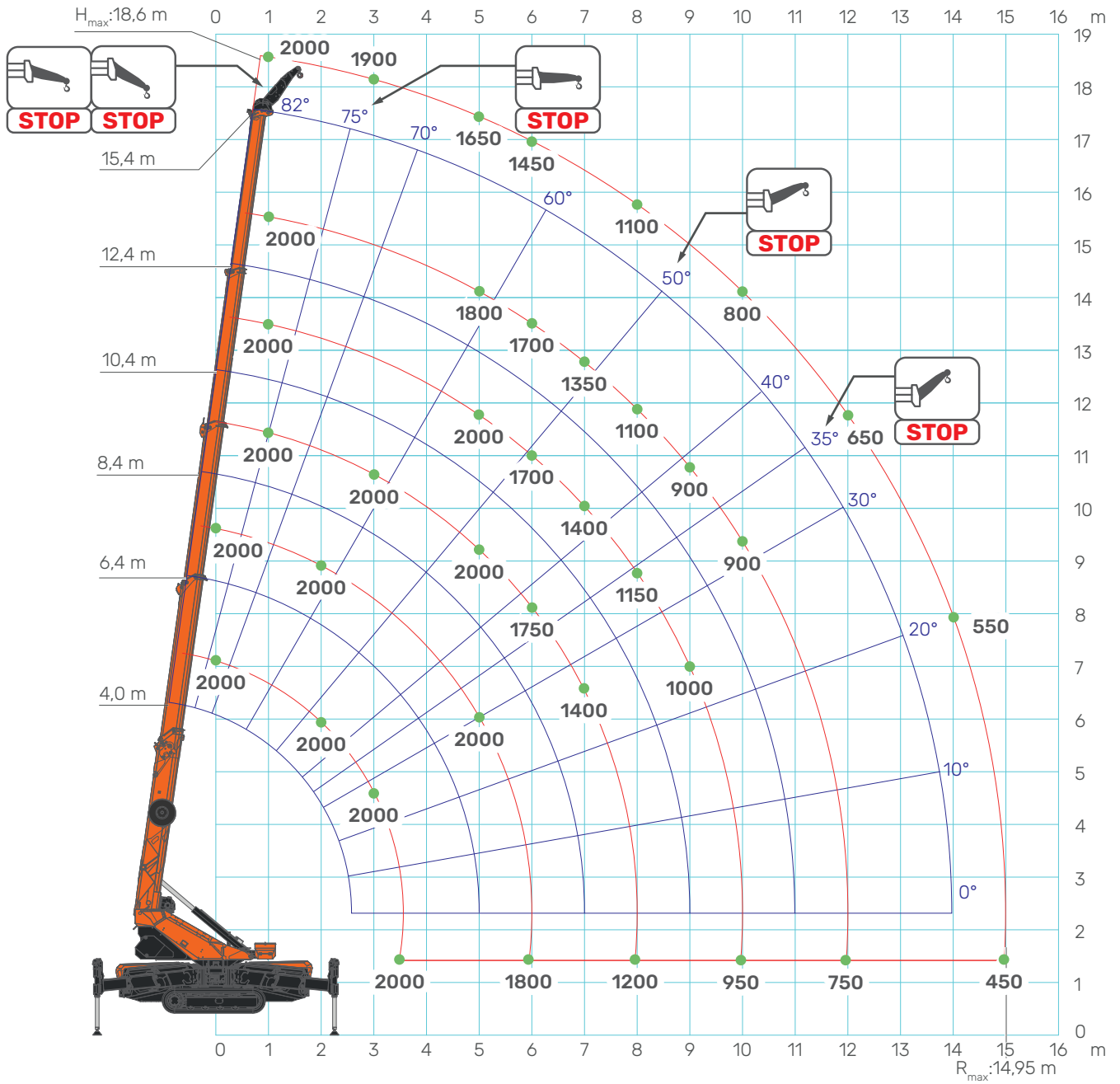
L [m]→	4	5,4	6,4
1	800	800	600
2	700	700	600
3	600	550	500
4		320	300
5			150
↑R[m]	[kg]	LC650_V307_0326_C031 LC650_V307_0326_C131	

SPX650

JIB2000GX load chart

24.04.2026 | REV2.1

JIB2000GX



*The word "STOP" stands for the maximum working angle of the main boom for the displayed jib configuration.

[kg]

CRANE PERFORMANCE: J7

L [m]→	4	5,4	6,4	7,4	8,4	9,4	10,4	11,4	12,4	14,4	15,4
1	2000	2000	2000	2000	2000	2000	2000	2000	2000	2000	2000
2	2000	2000	2000	2000	2000	2000	2000	2000	2000	2000	1950
3	2000	2000	2000	2000	2000	2000	2000	2000	2000	2000	1900
4	2000	2000	2000	2000	2000	2000	2000	2000	2000	1850	1800
5		2000	2000	2000	2000	2000	2000	1900	1800	1700	1650
6			1800	1800	1750	1700	1700	1700	1700	1650	1450
7				1400	1400	1400	1400	1350	1350	1300	1300
8					1200	1200	1150	1150	1100	1100	1100
9						1000	1000	900	900	900	900
10							950	900	900	900	800
11								900	900	800	700
12									750	750	650
14										550	550
14,9											450
↑R[m]	[kg]	LC650_V307_0326_C8J7									

CRANE PERFORMANCE: J6

L [m]→	4	5,4	6,4	7,4	8,4	9,4	10,4	11,4	12,4	14,4	15,4
1	2000	2000	2000	2000	2000	2000	2000	2000	2000	2000	2000
2	2000	2000	2000	2000	2000	2000	2000	2000	2000	2000	1950
3	2000	2000	2000	2000	2000	2000	2000	2000	2000	2000	1900
4	2000	2000	2000	2000	2000	2000	2000	2000	2000	1850	1800
5		2000	2000	2000	2000	2000	2000	1900	1800	1700	1650
6			1800	1800	1750	1700	1700	1700	1700	1650	1450
7				1400	1400	1400	1400	1350	1350	1300	1300
8					1200	1200	1150	1150	1100	1100	1100
9						1000	1000	900	900	900	900
10							800	800	800	800	800
11								650	650	650	650
12									600	600	600
14										400	400
14,9											350
↑R[m]	[kg]	LC650_V307_0326_C8J6									

SPX650

JIB2000GX load tables

24.04.2026 | REV2.1

CRANE PERFORMANCE: J5

L [m]→	4	5,4	6,4	7,4	8,4	9,4	10,4	11,4	12,4	14,4	15,4
1	2000	2000	2000	2000	2000	2000	2000	2000	1900	1700	1650
2	2000	2000	2000	2000	2000	2000	2000	2000	1900	1700	1650
3	2000	2000	2000	2000	2000	2000	2000	2000	1900	1700	1650
4	2000	2000	2000	2000	2000	2000	2000	2000	1900	1700	1650
5		2000	2000	2000	2000	2000	1900	1900	1800	1700	1650
6			1500	1500	1500	1500	1500	1400	1400	1300	1300
7				1200	1200	1200	1200	1200	1200	1200	1200
8					900	900	900	900	900	900	900
9						750	750	750	750	750	750
10							600	600	600	600	600
11								500	500	500	500
12									400	400	400
14										260	260
14,9											220
↑R[m]	[kg]	LC650_V307_0326_C8J5									

CRANE PERFORMANCE: J4

L [m]→	4	5,4	6,4	7,4	8,4	9,4	10,4	11,4	12,4	14,4	15,4
1	2000	2000	2000	2000	2000	2000	1900	1900	1800	1400	1200
2	2000	2000	2000	2000	2000	2000	1900	1900	1800	1300	1100
3	2000	2000	2000	2000	2000	2000	1900	1800	1650	1200	1100
4	2000	2000	2000	2000	2000	2000	1800	1800	1650	1200	1100
5		1800	1650	1650	1550	1350	1300	1300	1250	1200	1100
6			1250	1200	1200	1100	1100	1100	1000	900	900
7				950	900	900	900	900	900	800	800
8					750	750	750	700	700	700	650
9						600	600	600	600	600	600
10							480	480	480	480	480
11								380	380	380	380
12									300	300	300
14										150	150
14,9											120
↑R[m]	[kg]	LC650_V307_0326_C8J4									

CRANE PERFORMANCE: J3

L [m]→	4	5,4	6,4	7,4	8,4	9,4	10,4	11,4	12,4	14,4	15,4
1	2000	2000	2000	2000	2000	1900	1700	1600	1500	1200	1100
2	2000	2000	2000	2000	2000	1700	1500	1500	1400	1100	1000
3	2000	2000	2000	2000	1700	1500	1400	1400	1300	1050	1000
4	1500	1500	1450	1450	1400	1350	1300	1250	1200	1000	900
5		1200	1200	1200	1200	1100	1100	1000	1000	800	700
6			850	850	850	850	800	800	800	700	600
7				650	650	650	600	600	600	550	500
8					500	500	500	500	500	400	400
9						380	380	360	360	320	320
10							300	300	300	250	250
11								200	200	200	200
12									120	120	120
↑R[m]	[kg]	LC650_V307_0326_C8J3									

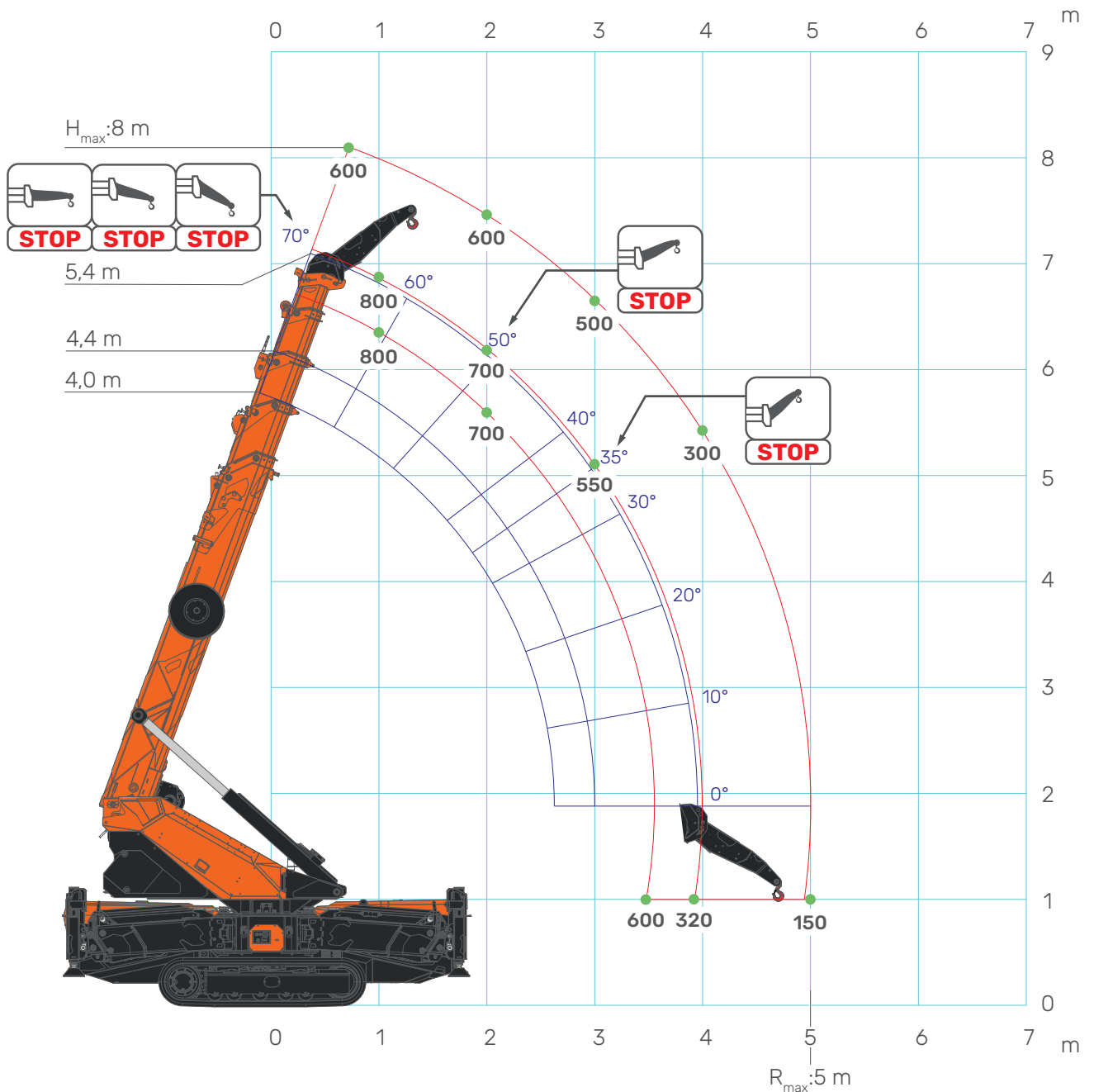
CRANE PERFORMANCE: J2

L [m]→	4	5,4	6,4	7,4	8,4	9,4	10,4	11,4	12,4	14,4	15,4
1	2000	2000	2000	2000	2000	1500	1500	1500	1300	1000	900
2	2000	2000	1500	1200	1200	1200	1200	1200	1000	900	800
3	2000	1500	1200	1000	1000	1000	1000	1000	900	800	700
4	1000	1000	950	900	800	800	800	700	700	550	500
5		900	900	800	700	700	700	650	650	500	450
6			700	700	650	650	600	600	500	400	300
7				500	500	400	400	400	350	300	240
8					380	380	300	300	300	220	180
9						270	250	250	250	200	150
10							150	150	150	120	120
11								100	100	100	100
↑R[m]	[kg]	LC650_V307_0326_C8J2									

SPX650

JIB2000GX load chart- Pick & Carry

24.04.2026 | REV2.1



*The word "STOP" stands for the maximum working angle of the main boom for the displayed jib configuration.

[kg]

CRANE PERFORMANCE: J1
(Pick & Carry)

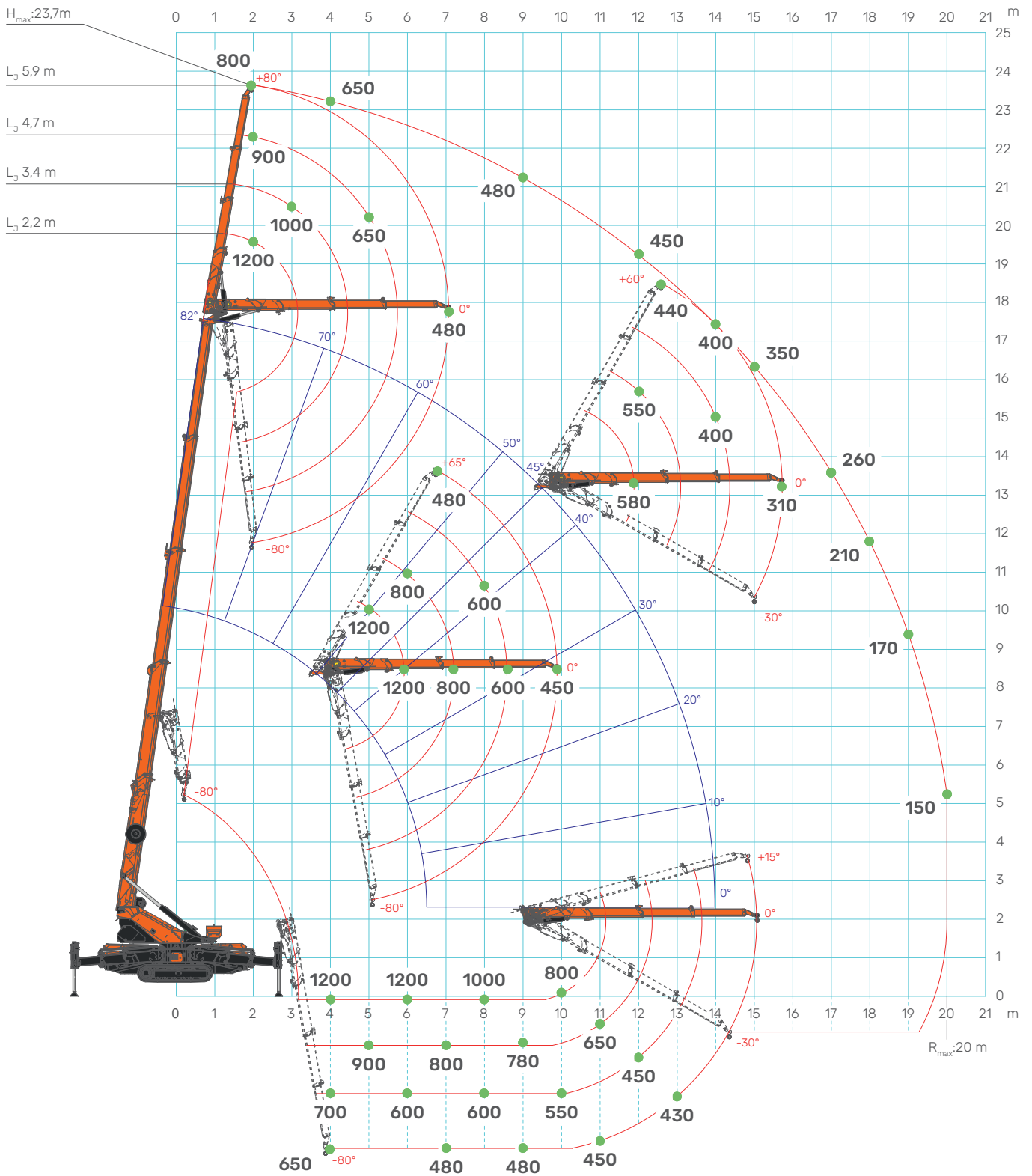
L [m]→	4	4,4	5,4
1	800	800	600
2	700	700	600
3	600	550	500
4		320	300
5			150
↑R[m]	[kg]	LC650_V307_0326_08.11	

SPX650

JIB1200.3HX load chart

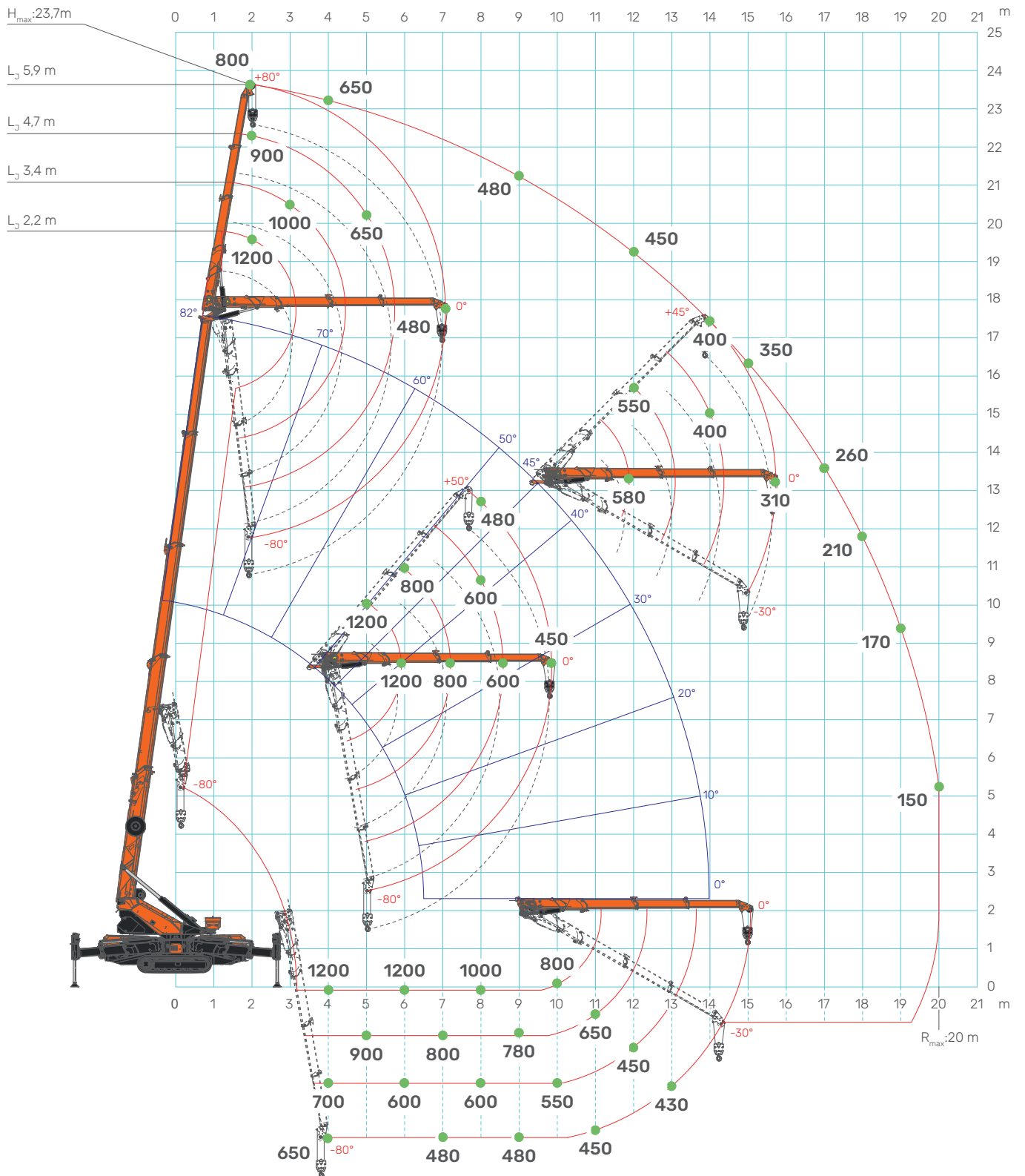
24.04.2026 | REV2.1

JIB1200.3HX



*Over 9 m main boom radius, the minimum jib angle is limited at -30°

[kg]



*Over 9 m main boom radius, the minimum jib angle is limited at -30°

CRANE PERFORMANCE: J7

L _j [m]→	2,2	3,4	4,7	5,9
1	1200	1000	900	800
2	1200	1000	900	800
3	1200	1000	800	750
4	1200	1000	700	650
5	1200	900	650	550
6	1200	800	600	480
7	1200	800	600	480
8	1000	800	600	480
9	900	780	600	480
10	800	720	550	450
11	650	650	550	450
12	580	550	450	450
13	460	450	450	430
14	360	400	400	400
15	280	300	320	350
16	200	250	280	310
17		200	230	260
18			180	210
19				170
20				150
↑R[m]	[kg]	LC650_V307_0326_C16J7 - LC650_V307_0326_C17J7		

CRANE PERFORMANCE: J6

L _j [m]→	2,2	3,4	4,7	5,9
1	1200	1000	900	800
2	1200	1000	900	800
3	1200	1000	800	750
4	1200	1000	700	650
5	1200	900	650	550
6	1200	800	600	480
7	1200	800	600	480
8	1000	800	600	480
9	770	750	600	480
10	580	580	550	450
11	430	440	450	450
12	360	400	420	450
13	280	300	330	360
14	200	230	250	280
15	130	160	200	220
16		120	150	180
17			100	130
18				100
↑R[m]	[kg]	LC650_V307_0326_C16J6 - LC650_V307_0326_C17J6		

CRANE PERFORMANCE: J5

L _j [m]→	2,2	3,4	4,7	5,9
1	1200	1000	900	800
2	1200	1000	900	800
3	1200	1000	800	700
4	1200	1000	600	550
5	1200	900	580	500
6	1100	800	550	420
7	800	800	540	420
8	600	600	520	400
9	470	470	450	400
10	330	330	330	330
11	220	220	220	220
12	120	120	120	120
↑R[m]	[kg]	LC650_V307_0326_C16J5 - LC650_V307_0326_C17J5		

CRANE PERFORMANCE: J4

L _j [m]→	2,2	3,4	4,7	5,9
1	1200	1000	800	640
2	1200	1000	700	600
3	1200	1000	520	500
4	1200	1000	480	480
5	1000	900	450	450
6	850	800	450	400
7	600	600	450	380
8	470	450	400	350
9	320	320	300	300
10	200	200	200	200
11	100	100	100	100
↑R[m]	[kg]	LC650_V307_0326_C16J4 - LC650_V307_0326_C17J4		

CRANE PERFORMANCE: J3

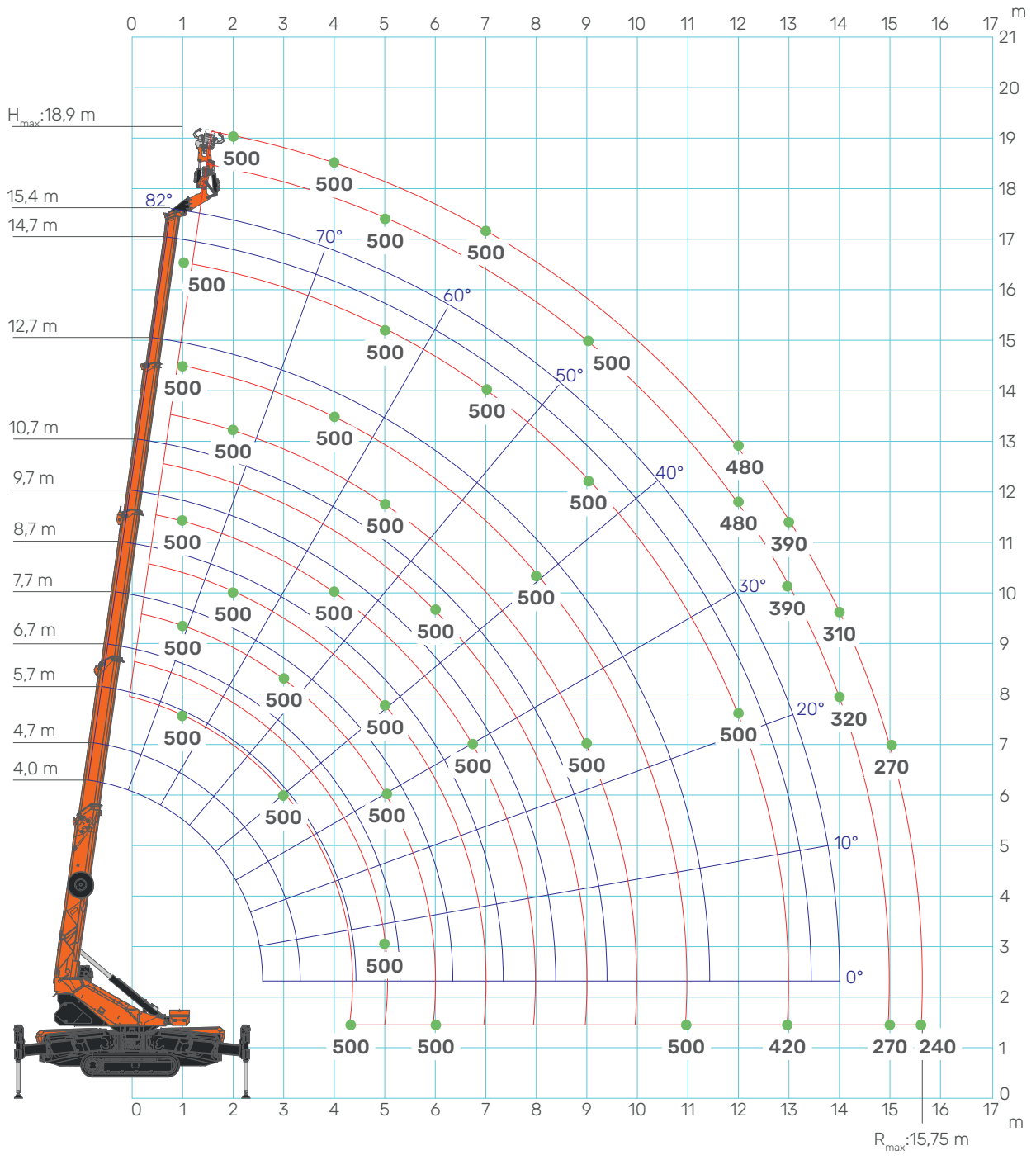
L _j [m]→	2,2	3,4	4,7	5,9
1	1200	1000	700	550
2	1200	1000	610	520
3	1000	900	450	430
4	900	700	420	410
5	650	500	390	390
6	420	400	350	340
7	270	260	250	250
8	150	150	150	150
↑R[m]	[kg]	<small>LC650_V307_0326_C16J3 - LC650_V307_0326_C17J3</small>		

SPX650

JIB500GR load chart

24.04.2026 | REV2.1

JIB500GR



CRANE PERFORMANCE: J7

L [m]→	4,0	4,7	5,7	6,7	7,7	8,7	9,7	10,7	11,7	12,7	13,7	14,7	15,4
1	500	500	500	500	500	500	500	500	500	500	500	500	500
5	500	500	500	500	500	500	500	500	500	500	500	500	500
6			500	500	500	500	500	500	500	500	500	500	500
7				500	500	500	500	500	500	500	500	500	500
8					500	500	500	500	500	500	500	500	500
9						500	500	500	500	500	500	500	500
10							500	500	500	500	500	500	500
11								500	500	500	500	500	500
12									500	500	480	480	480
13										420	400	390	390
14											340	320	310
15												270	270
15,75													240
↑R[m]	[kg]	LC650_V307_0326_C24J7											

CRANE PERFORMANCE: J6

L [m]→	4,0	4,7	5,7	6,7	7,7	8,7	9,7	10,7	11,7	12,7	13,7	14,7	15,4
1	500	500	500	500	500	500	500	500	500	500	500	500	500
5	500	500	500	500	500	500	500	500	500	500	500	500	500
6			500	500	500	500	500	500	500	500	500	500	500
7				500	500	500	500	500	500	500	500	500	500
8					500	500	500	500	500	500	500	500	500
9						500	500	500	500	500	500	500	500
10							500	500	500	500	500	500	500
11								460	440	430	420	420	420
12									350	330	320	310	310
13										260	240	230	230
↑R[m]	[kg]	LC650_V307_0326_C24J6											

SPX650

JIB500GR load tables

24.04.2026 | REV2.1

CRANE PERFORMANCE: J5

L [m]→	4,0	4,7	5,7	6,7	7,7	8,7	9,7	10,7	11,7	12,7	13,7	14,7	15,4
1	500	500	500	500	500	500	500	500	500	500	500	500	500
5	500	500	500	500	500	500	500	500	500	500	500	500	500
6			500	500	500	500	500	500	500	500	500	500	500
7				500	500	500	500	500	500	500	500	500	500
8					500	500	500	500	500	500	500	500	500
9						500	500	490	480	480	480	470	460
10							390	370	350	350	340	340	340
11								280	260	240	240	240	240
↑R [m]	[kg]	LC650_V307_0326_C24J5											

CRANE PERFORMANCE: J4

L [m]→	4,0	4,7	5,7	6,7	7,7	8,7	9,7	10,7	11,7	12,7	13,7	14,7	15,4
1	500	500	500	500	500	500	500	500	500	500	500	500	500
5	500	500	500	500	500	500	500	500	500	500	500	500	500
6			500	500	500	500	500	500	500	500	500	500	500
7				500	500	500	500	500	500	500	500	500	500
8					500	500	500	490	490	490	470	450	440
9						390	370	350	340	340	340	320	310
10							270	250	230	230	220	220	220
↑R [m]	[kg]	LC650_V307_0326_C24J4											

CRANE PERFORMANCE: J3

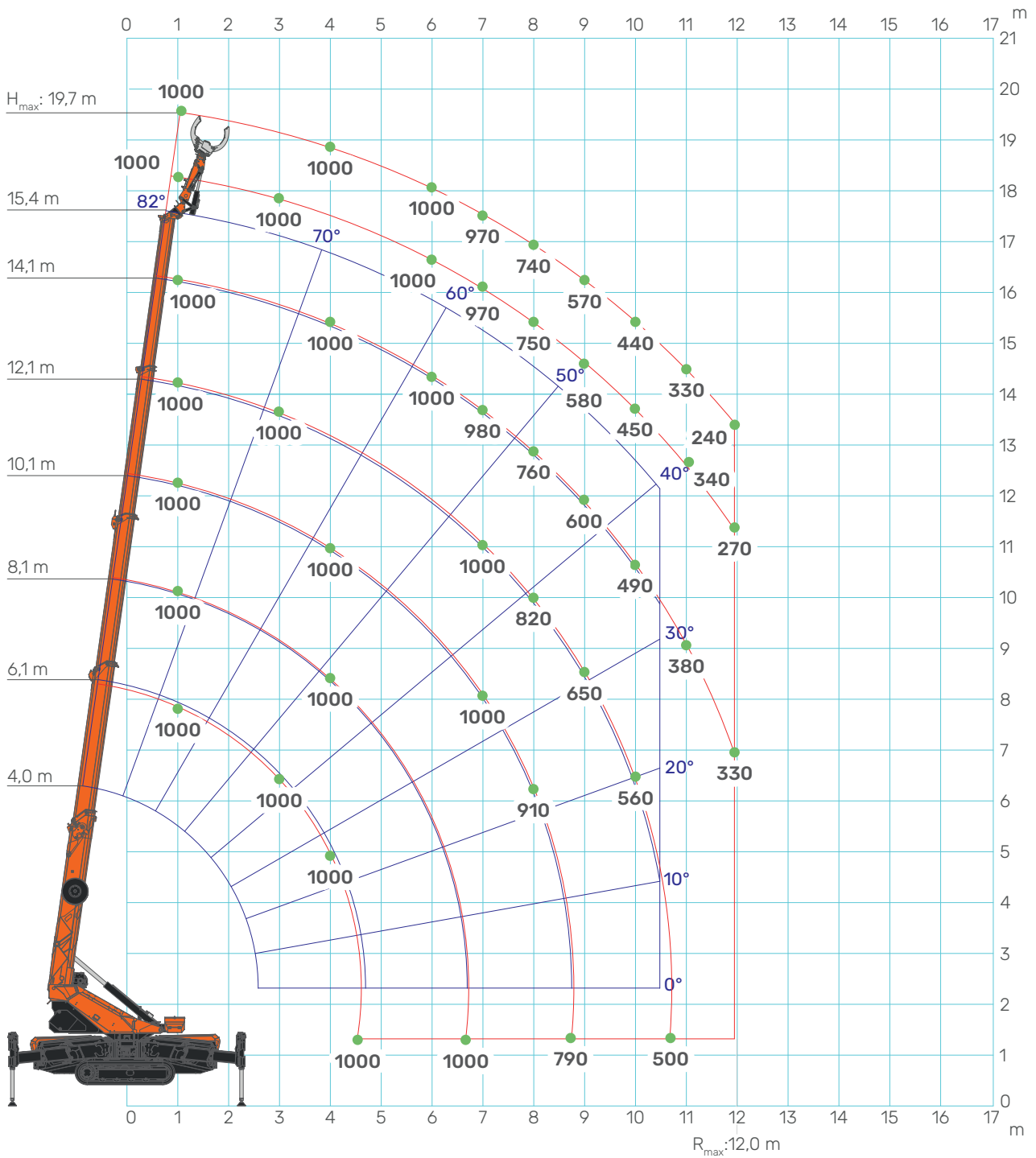
L [m]→	4,0	4,7	5,7	6,7	7,7	8,7	9,0
1	500	500	500	500	500	500	500
4	500	500	500	500	500	500	500
5		500	500	500	500	500	500
6			470	470	470	470	470
7				470	470	450	450
8					340	310	290
9						210	200
↑R [m]	[kg]	LC650_V307_0326_C24J3					

SPX650

JIB1000GR load chart

24.04.2026 | REV2.1

JIB1000GR



CRANE PERFORMANCE: J7

L [m]→	4,0	5,1	6,1	7,1	8,1	9,1	10,1	11,1	12,1	13,1	14,1	15,1	15,4
1	1000	1000	1000	1000	1000	1000	1000	1000	1000	1000	1000	1000	1000
5	1000	1000	1000	1000	1000	1000	1000	1000	1000	1000	1000	1000	1000
6		1000	1000	1000	1000	1000	1000	1000	1000	1000	1000	1000	1000
7			1000	1000	1000	1000	1000	980	980	970	970	970	970
8				990	910	830	820	770	760	750	750	750	740
9					790	720	650	630	600	590	580	580	570
10						630	560	500	490	460	450	440	440
11							500	440	380	370	340	330	330
11,8								390	330	280	270	250	240
↑R[m]	[kg]	LC650_V3070326_C25J7											

CRANE PERFORMANCE: J6

L [m]↗	4,0	5,1	6,1	7,1	8,1	9,1	10,1	11,1	12,1	13,1	14,1	15,1	15,4
1	1000	1000	1000	1000	1000	1000	1000	1000	1000	1000	1000	1000	1000
5	1000	1000	1000	1000	1000	1000	1000	1000	1000	1000	1000	1000	1000
6		1000	1000	1000	1000	1000	1000	1000	1000	1000	1000	1000	1000
7			1000	1000	1000	1000	1000	980	980	970	970	970	970
8				990	910	830	820	770	760	750	750	750	740
9					790	720	650	630	600	590	580	580	560
10						630	560	500	490	460	450	440	430
11							500	430	370	360	330	320	320
11,8								380	320	260	250	230	220
↑R[m]	[kg]	LC650_V3070326_C25J6											

SPX650

JIB1000GR load tables

24.04.2026 | REV2.1

CRANE PERFORMANCE: J5

L [m]→	4,0	5,1	6,1	7,1	8,1	9,1	10,1	11,1	12,1	13,1	14,1	15,1	15,4
1	1000	1000	1000	1000	1000	1000	1000	1000	1000	1000	1000	1000	1000
5	1000	1000	1000	1000	1000	1000	1000	1000	1000	1000	1000	1000	1000
6		1000	1000	1000	1000	1000	1000	1030	980	940	900	860	840
7			1000	970	870	850	790	760	720	680	650	620	600
8				790	700	610	590	550	530	490	460	440	420
9					580	500	420	410	370	360	330	310	290
9,8						420	350	280	270	240	230	200	180
↑R [m]	[kg]	LC650_V307_0326_C25J5											

CRANE PERFORMANCE: J4

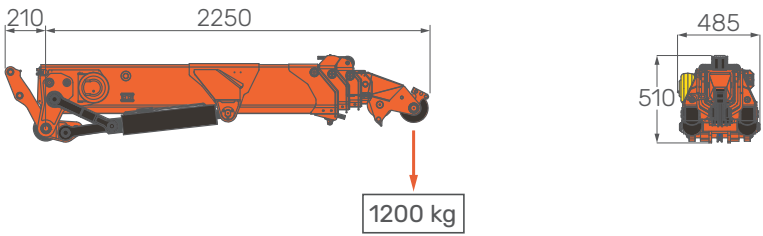
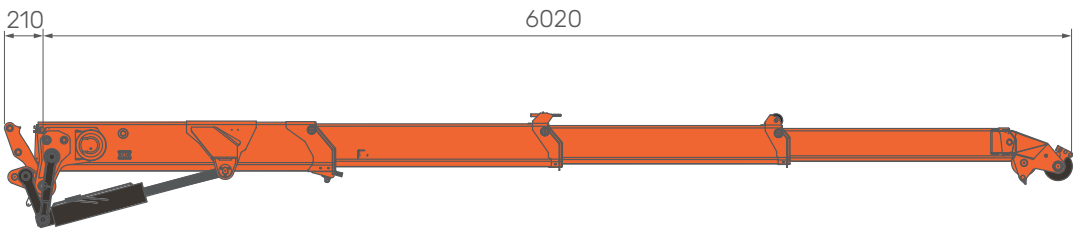
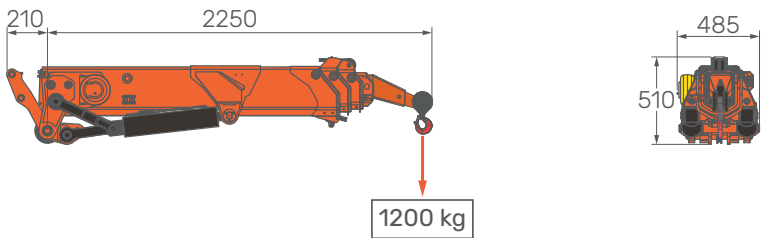
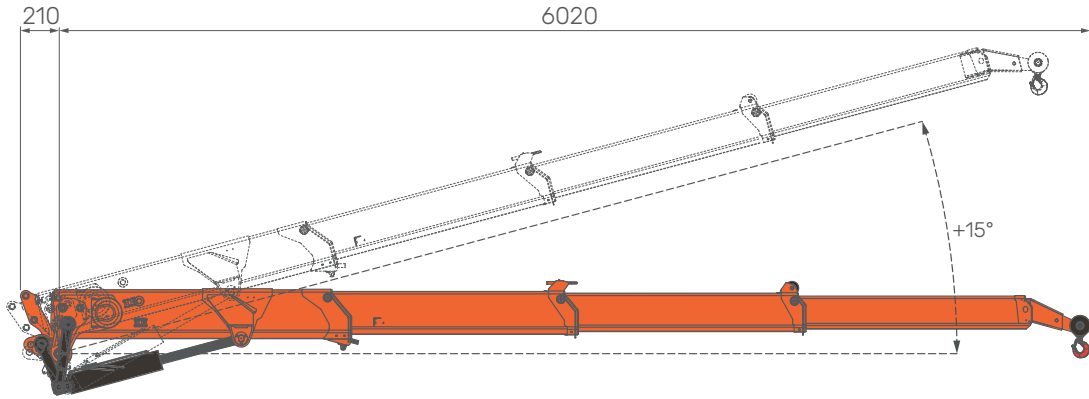
L [m]→	4,0	5,1	6,1	7,1	8,1	9,1	10,1	11,1	12,1	13,1
1	1000	1000	1000	1000	1000	1000	1000	1000	1000	1000
5	1000	1000	1000	1000	1000	1000	1000	1000	1000	1000
6		1000	1000	980	960	890	830	770	730	690
7			870	760	660	640	590	550	510	480
8				620	530	450	430	390	360	320
8,8					440	360	290	270	240	210
↑R [m]	[kg]	LC650_V307_0326_C25J4								

CRANE PERFORMANCE: J3

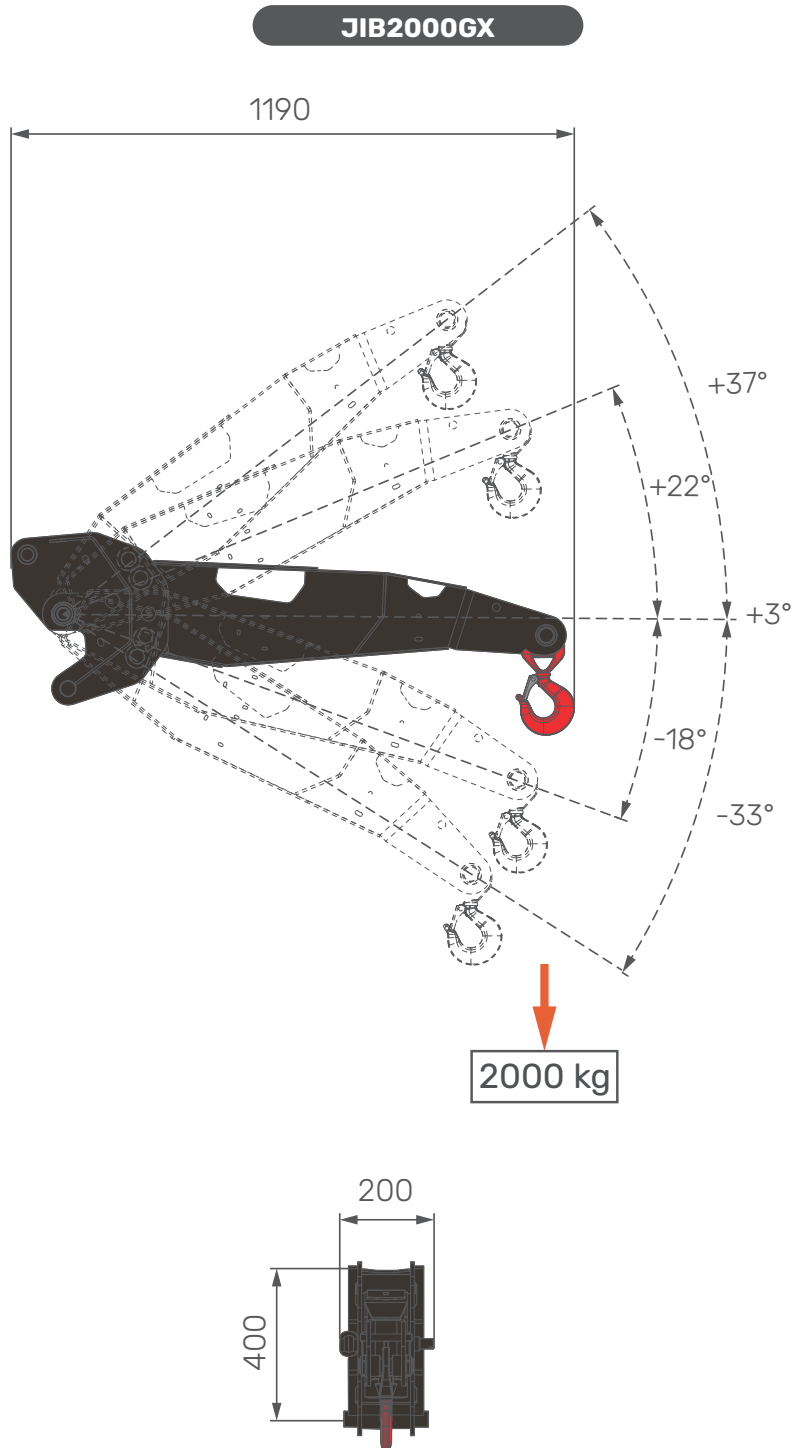
L [m]→	4,0	5,1	6,1	7,1	8,1	9,1	10,1
1	1000	1000	1000	1000	1000	1000	1000
4	1000	1000	1000	1000	1000	1000	1000
5	1000	1000	990	940	850	770	710
6		860	740	620	600	530	470
7			580	480	390	370	310
7,8				390	300	220	210
↑R[m]	[kg]	LC650_V307_0326_C25J3					

ACCESSORIES

JIB1200.3HX



WEIGHT		JIB	JIB1200.3HX	kg	410



WEIGHT		JIB	JIB2000GX	kg	50

[mm]

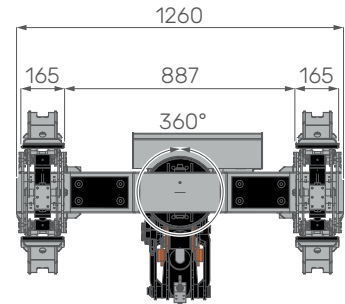
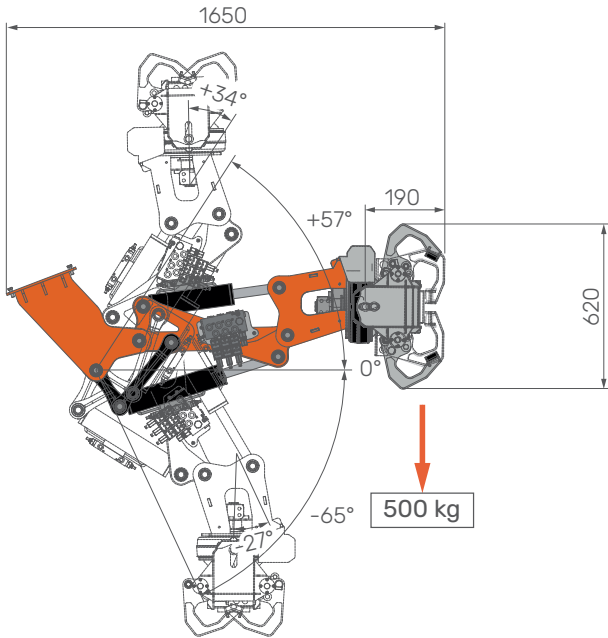
SPX650

JIB500GR features

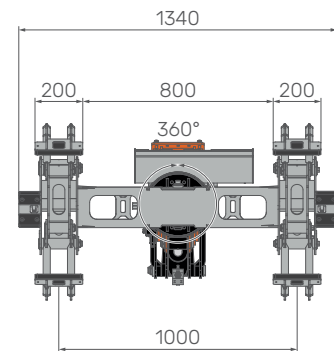
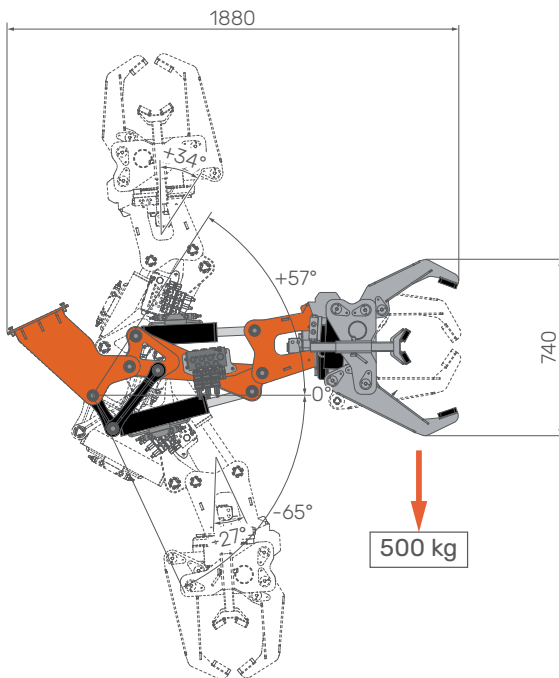
24.04.2026 | REV2.1

JIB500GR

BEAMS



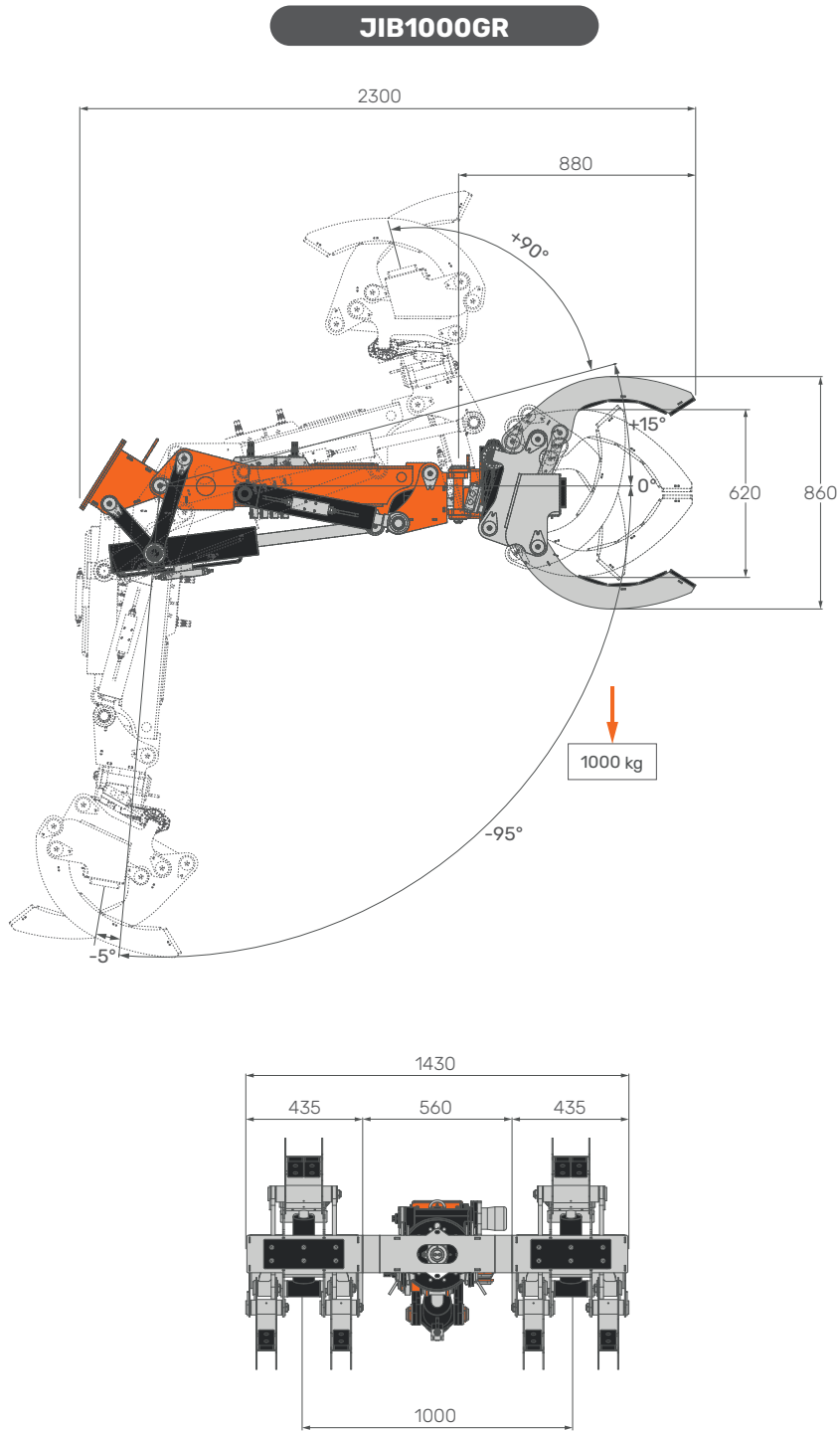
PIPES



WEIGHT






























JIB	JIB500GR	Beams configuration	kg	230
		Pipes configuration		230
		Adapter		40



WEIGHT		JIB	JIB1000GR	kg	380

[mm]

SYMBOLS

 Weight	 Engine	 Main Boom Lifting	 Hydraulic System
 Crane	 Electric Motorization	 Boom Length	 Winter Kit
 Travel Speed	 Powerpack	 Jib	 Working Temperature
 Gradeability	 Maximum Capacity	 Turret Slewing	 Hydraulic Activation
 Track Load	 Maximum Outriggers Load	 Winch	 Hook
 65° Maximum Working Angle	 Counterweight	 Outriggers Mats	 Grabber
 External Battery Charger			
 Closed Tracks and Turret Position Locked at 0° or 180°			
 Extended Tracks and 360° Turret Slewing			

LOAD CHARTS REMARKS

- Load tables have been calculated following the EN 13000:2014 standard.
- Load tables have been calculated considering a wind load of 13,8 m/s, a sail area of 1m²/t and a drag coefficient of 1,2.
- Load capacities are given in kg.
- Hookblocks and hooks weight is part of the load, hence it shall be deducted from the capacity values.
- The working radius is measured form the turret slewing center.
- The supplied Technical Data is part of the Use & Maintenance Manual.
- Features and specifications may change without prior advice.
- All indicated data are for informational purposes only and are not binding as the crane performs differently depending on its use.



Jekko s.r.l.

Via Campardone, 1 - 31014 Colle Umberto (TV) - Italy
info@jekko.it - www.jekko-cranes.com

SERIAL NUMBER:  24.04.2026 | REV2.1