



Technical Data

Specifications & Capacities

MPK06.2

Translanton of the original instructions

[m] [kg]

23.01.2026 | REV4.0

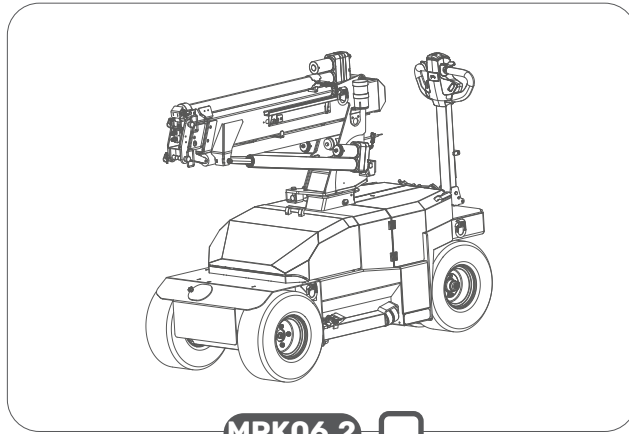


EN 13000:2014

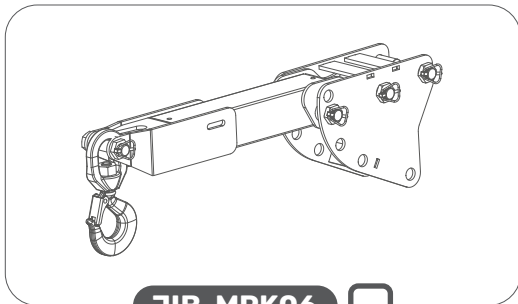
INDEX

Index	2
Crane configuration	3
Overall dimensions	4
Overall informations.....	6
Main boom load chart.....	8
JIB-MPK06 load chart.....	9
JVM06.2 load chart	10
JIB-MPK06 features	12
JVM06.2 features	13
Symbols	18

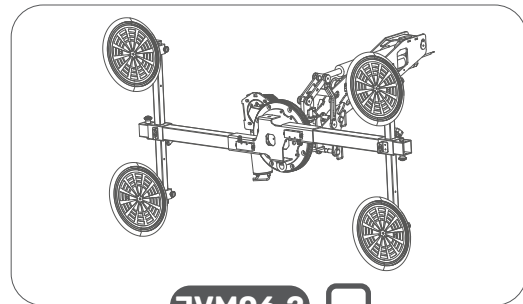
CRANE CONFIGURATION



MPK06.2



JIB-MPK06



JVM06.2

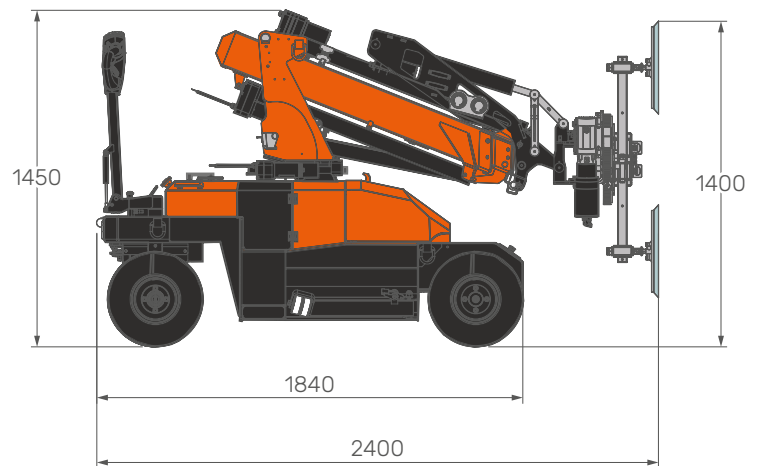
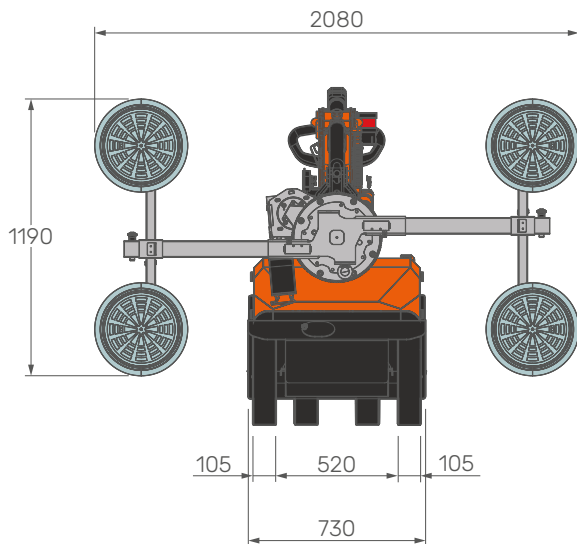
MPK06.2

Overall dimensions

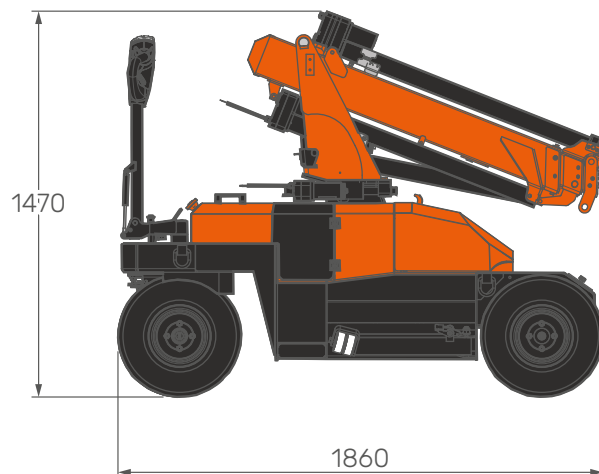
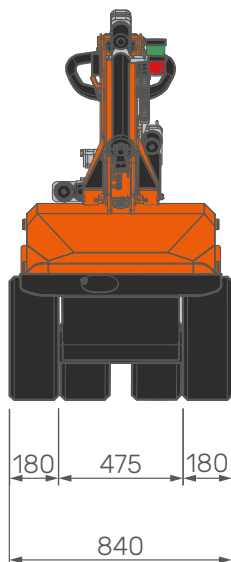
23.01.2026 | REV4.0

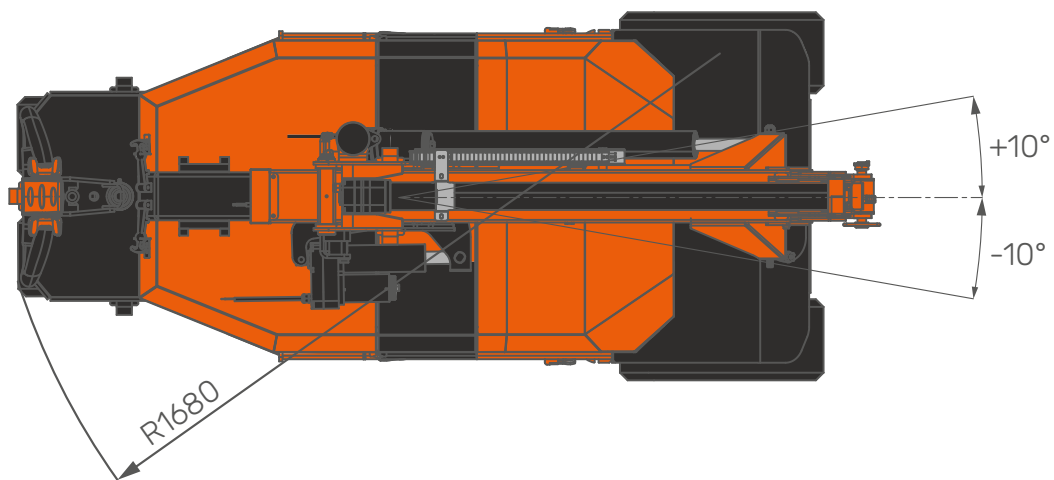
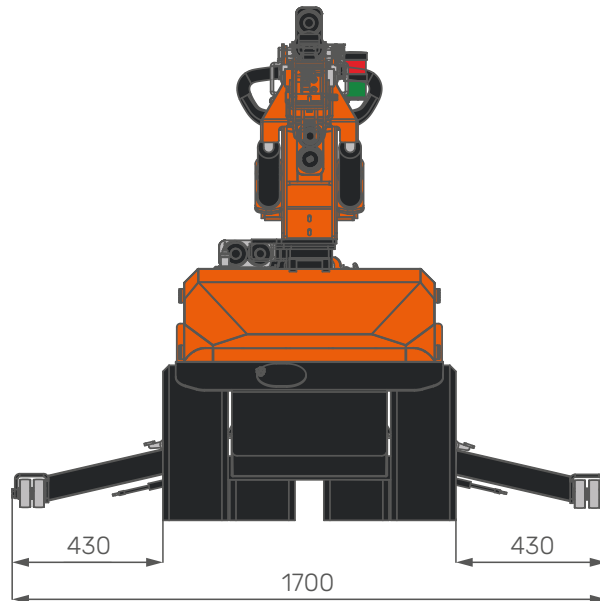
OVERALL DIMENSIONS

INDOOR WHEELS



OUTDOOR WHEELS





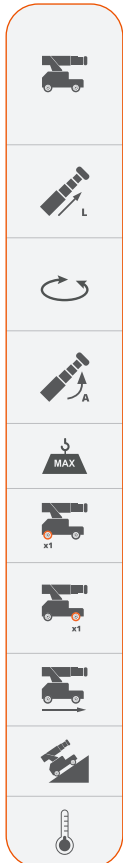
MPK06.2

Overall informations

23.01.2026 | REV4.0

OVERALL INFORMATIONS

CRANE INFO



	DESCRIPTION	U.M.	VALUE
OVERALL DIMENSIONS	Height	mm	1.470
	Length		1.860
	Width		840
BOOM	Length	m	1,2/2,8
	Speed	s	59(1,2/2,8 m)
SLEWING	Angle	°	-10°/+10°
	Speed	s	4
LIFTING	Working Angle	°	-21°/+55°
	Speed	s	40(-21°/+55°)
MAX CAPACITY		kg	600
REAR WHEEL MAX LOAD		kg	280 ^[1]
FRONT WHEEL MAX LOAD	Turret positioned at 0°		710 ^[2]
	Turret slewed by 10°		980 ^[2]
TRAVEL SPEED		km/h	3,6
GRADEABILITY		°	13°(23%) ^[3]
WORKING TEMPERATURE		°C	-20°/+40°
Lifting Class (UNI 4301-1)		A1	

^[1]: Without load

^[2]: With load

^[3]: Max value only for short distance and a maximum of 30 seconds. Forward movement at maximum gradeability is intended with extended boom and without load.

WEIGHT		CRANE	No counterweights	kg	724 ^[1]
		COUNTERWEIGHT	CW1 (into frame)	kg	40
			CW2 (into hood)		151
		TOTAL			kg
ACCESSORIES		JIB	JIB-MPK06	kg	15
		JVM MANIPULATOR	JVM06.2 (standard configuration)	kg	120
BATTERY		BATTERY	Voltage	V	24

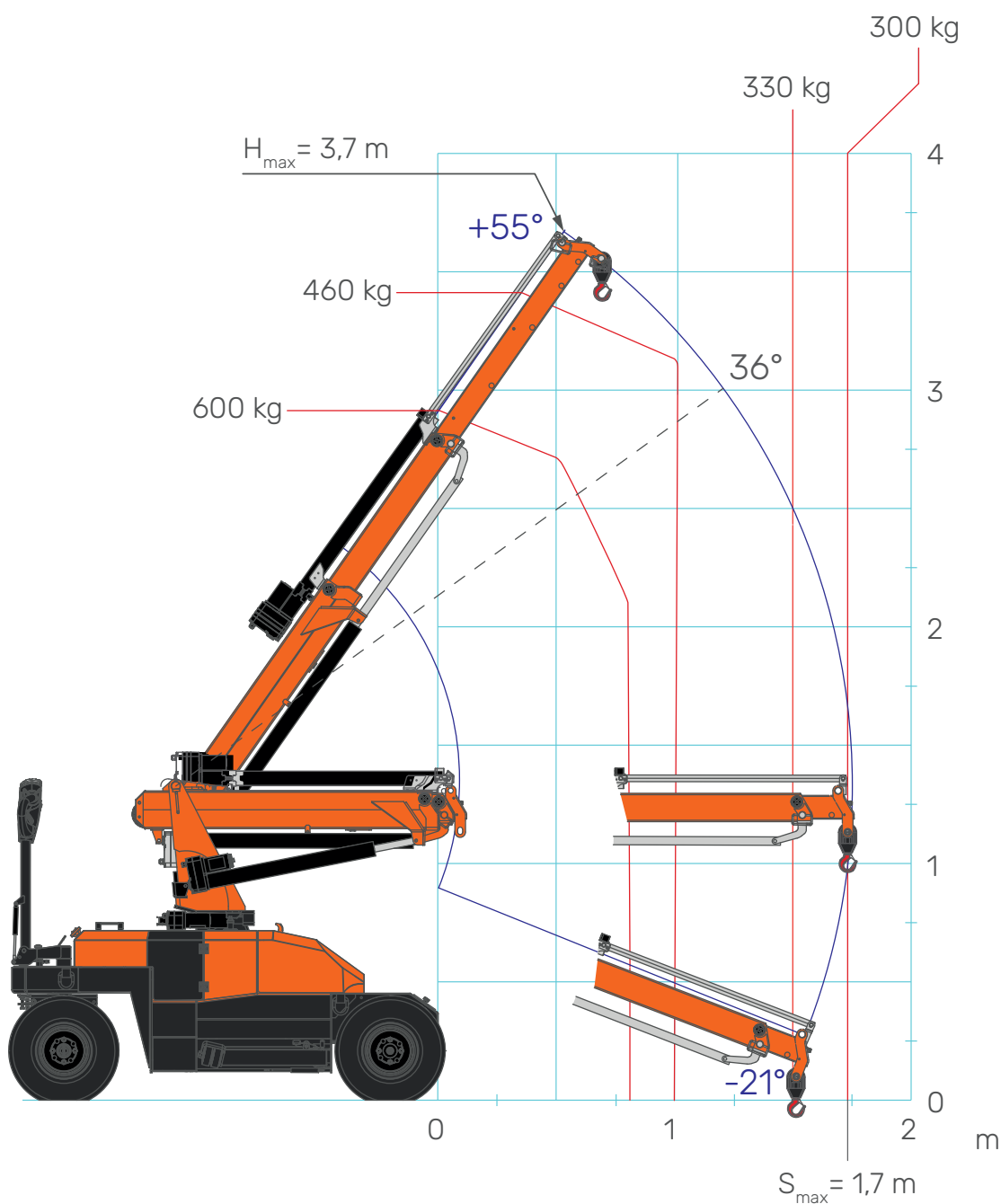
^[1]: Dry weight

MPK06.2

Main boom load chart

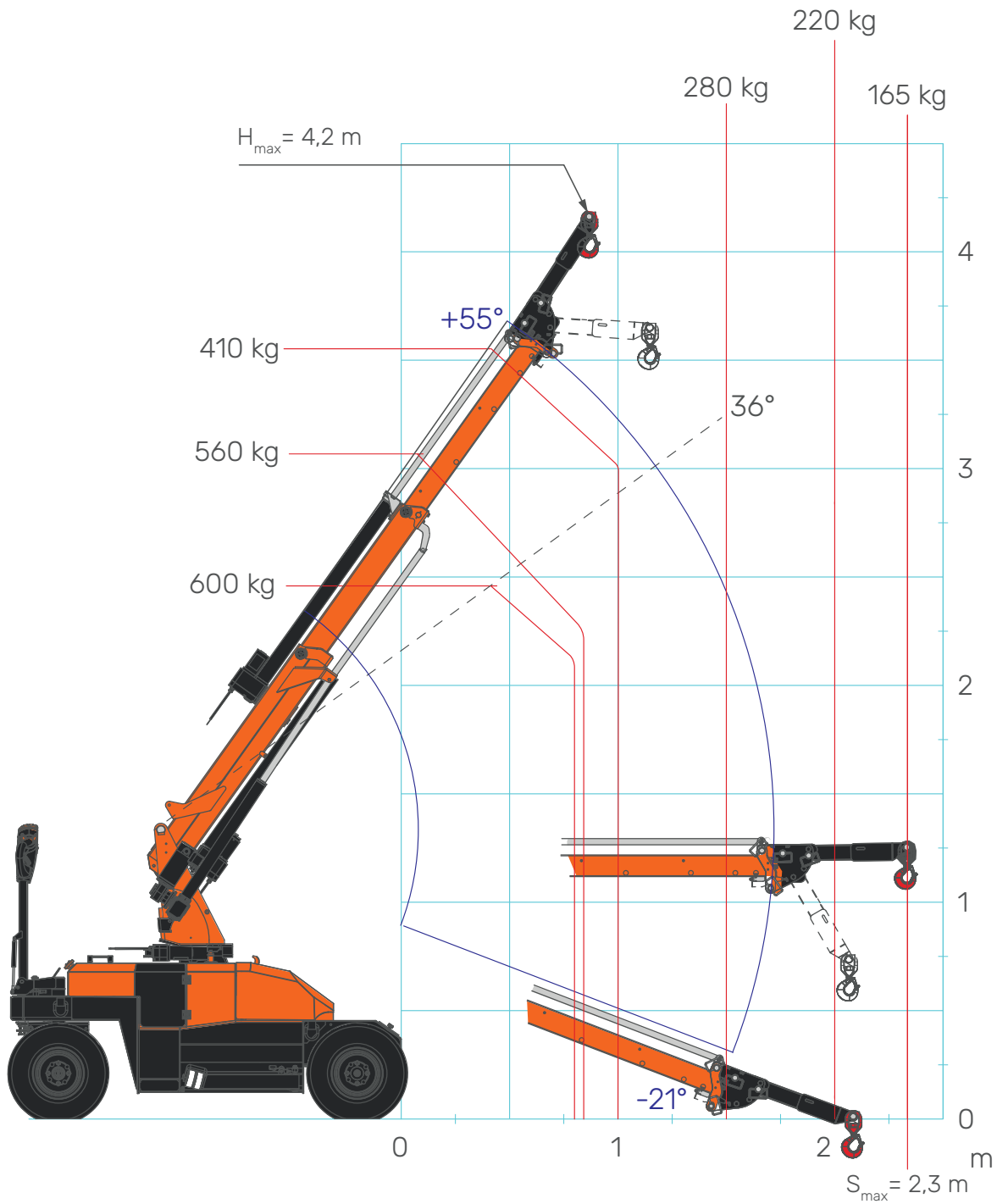
23.01.2026 | REV4.0

MAIN BOOM



Over 36° boom angle
the 2nd extension can push 385 kg MAX

JIB-MPK06



Over 36° boom angle the 2nd extension can push 260 kg MAX

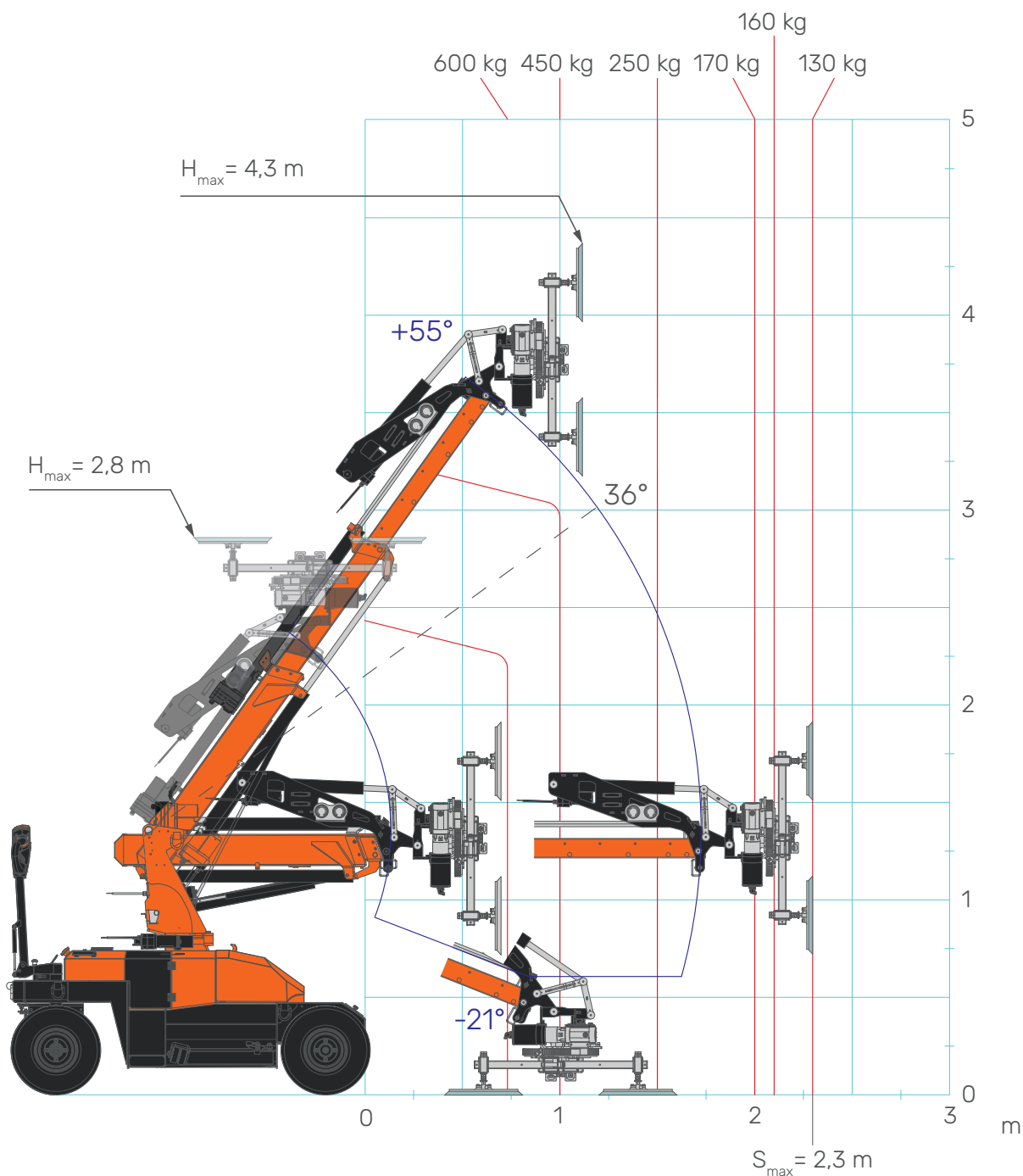
MPK06.2

JVM06.2 load chart

23.01.2026 | REV4.0

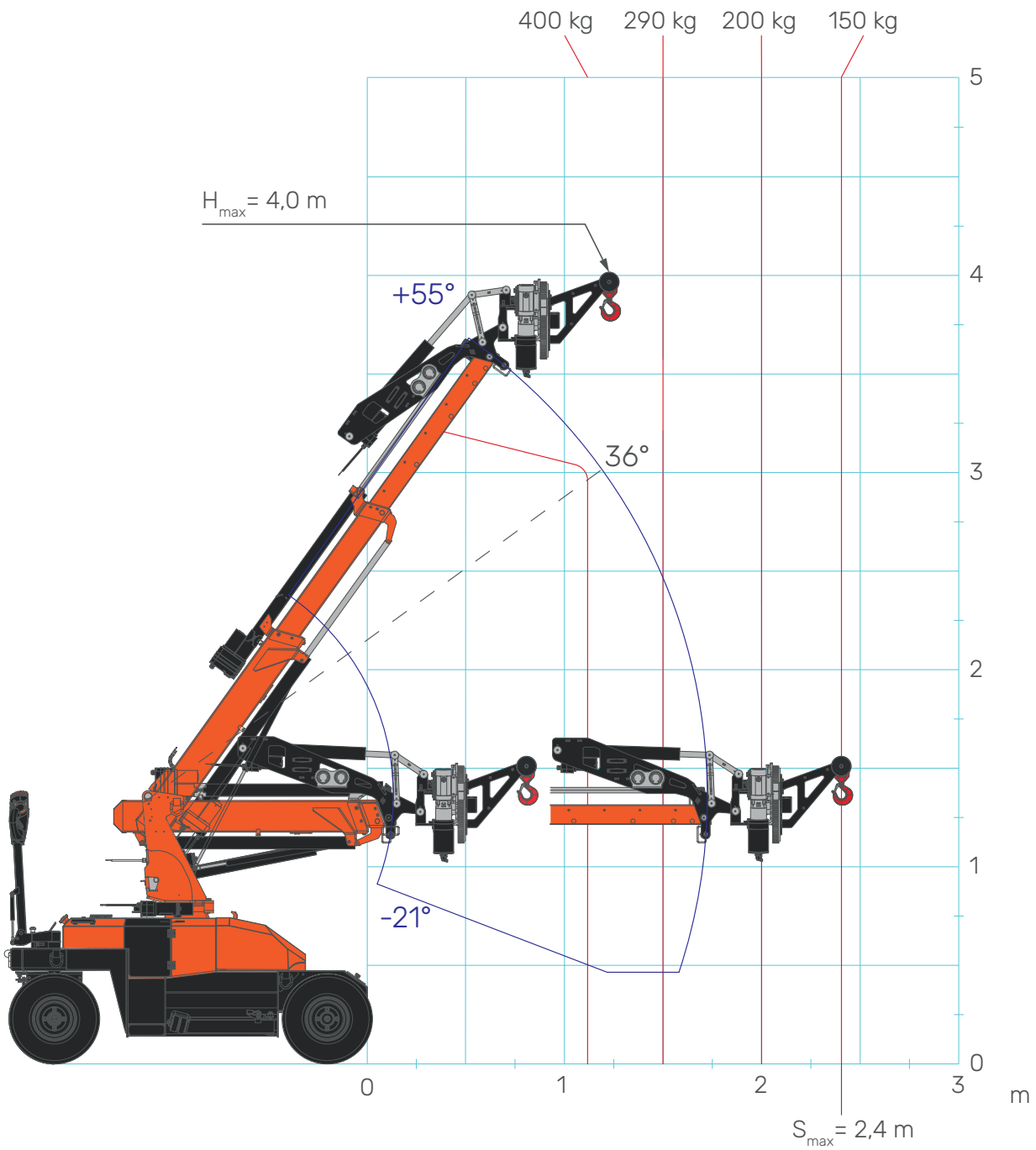
JVM06.2

GLASS STANDARD CONFIGURATION (4 VACUUM PADS Ø400)



Over 36° boom angle
the 2nd extension can push 260 kg MAX

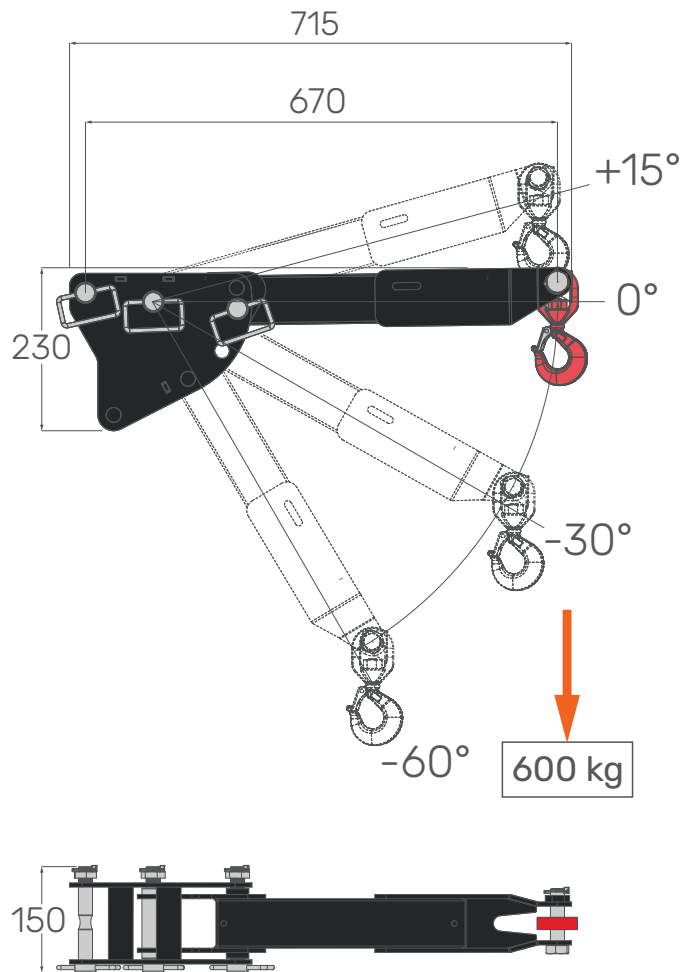
JIB-JVM06-10 CONFIGURATION



Over 36° boom angle
the 2nd extension can push 300 kg MAX

ACCESSORIES

JIB-MPK06



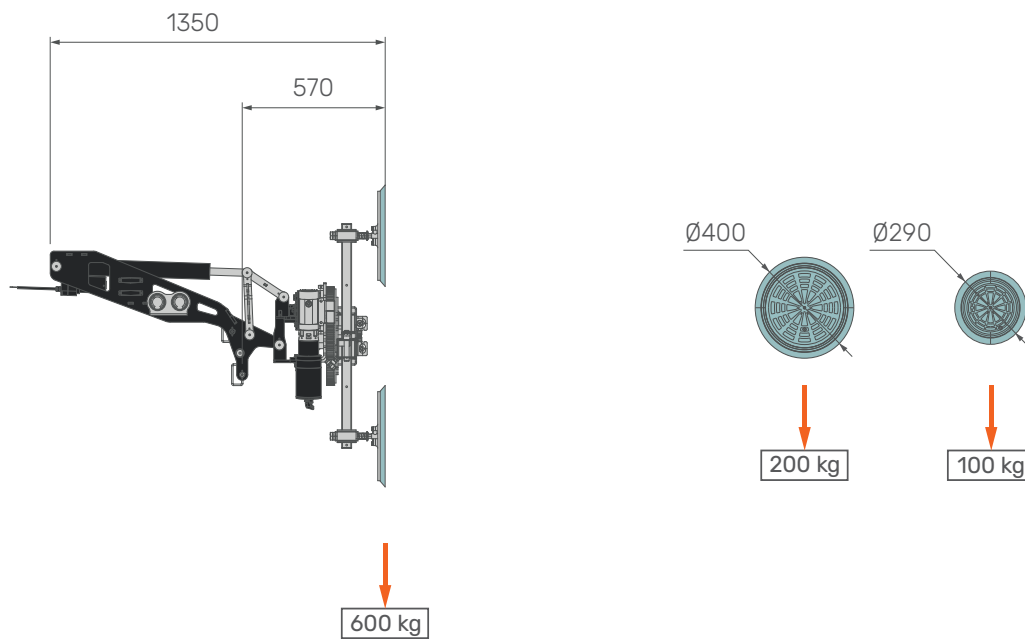
WEIGHT



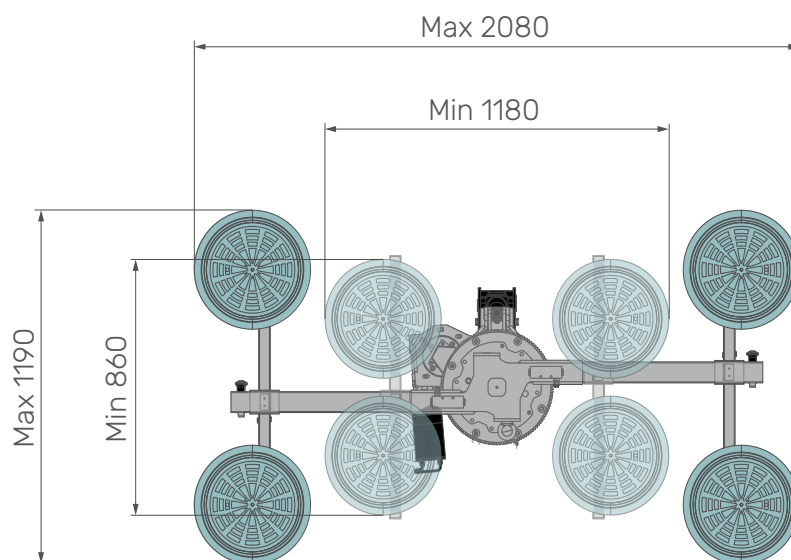
JIB	JIB-MPK06	kg	15
-----	-----------	----	----

JVM06.2

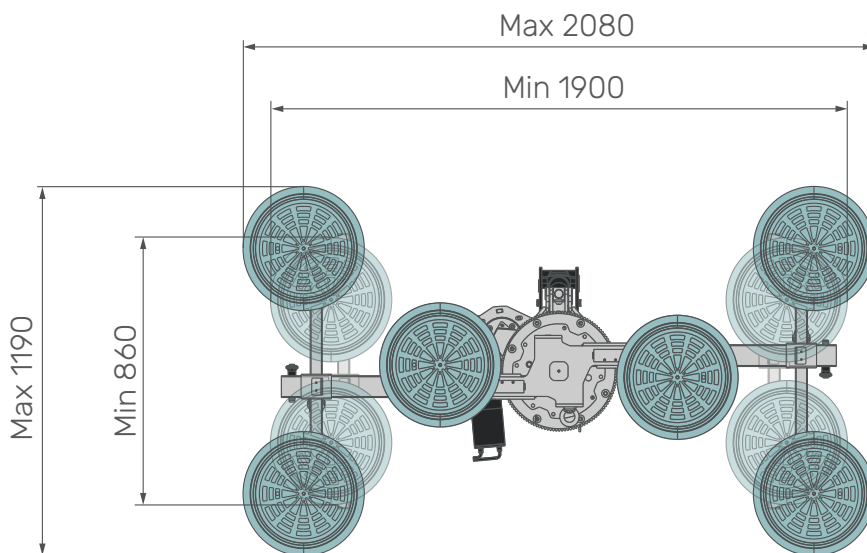
GLASS CONFIGURATION



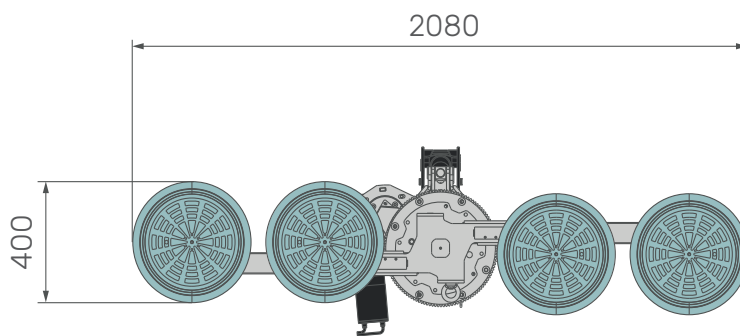
GLASS STANDARD CONFIGURATION (4 VACUUM PADS $\varnothing 400$)



GLASS CONFIGURATION (6 VACUUM PADS Ø400)



GLASS CONFIGURATION (4 VACUUM PADS Ø400)



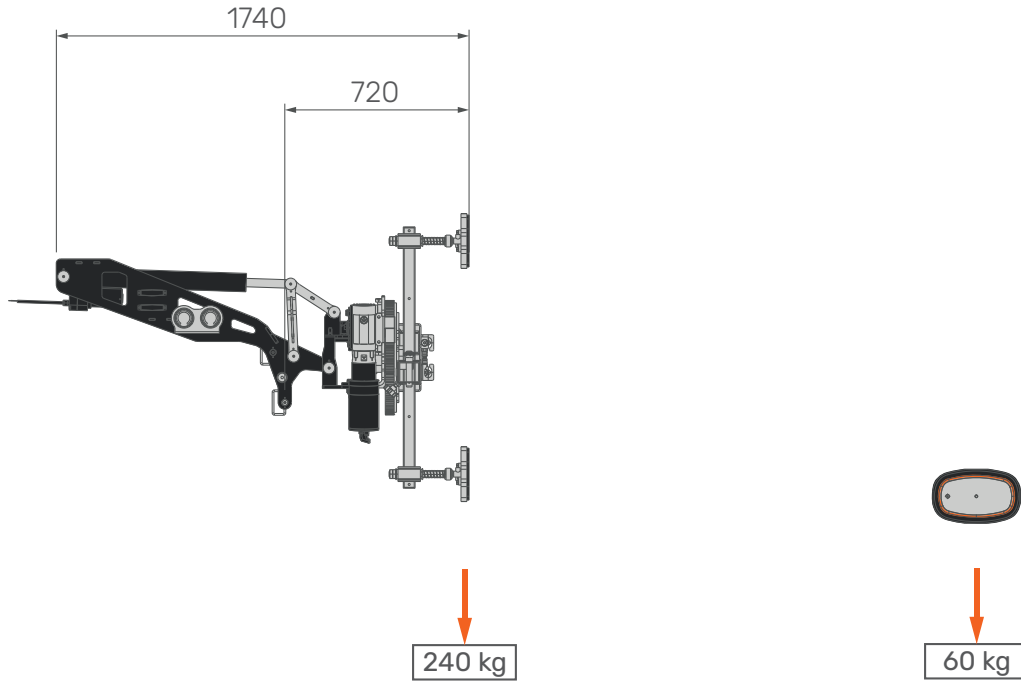
WEIGHT



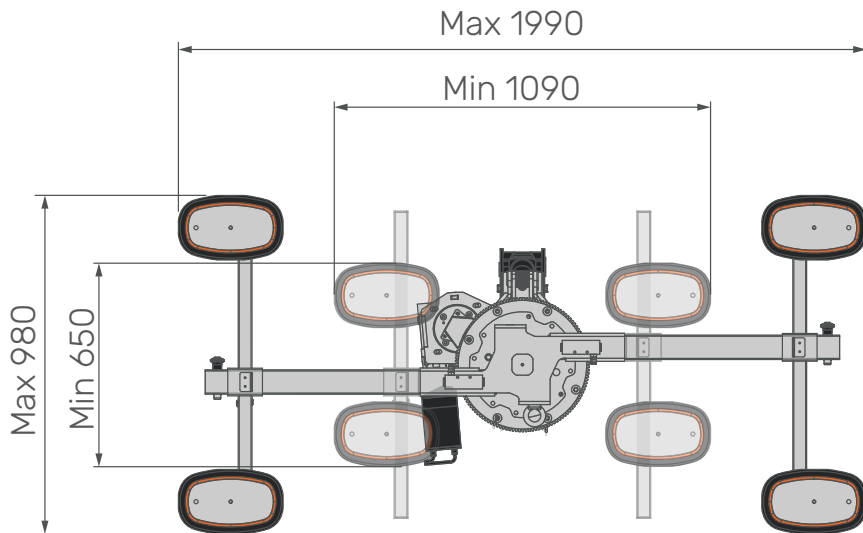
JVM	JVM06.2 (standard configuration)	kg	120
ACCESSORIES	Central pads support	kg	1
	Vertical pads support		3,4
	Ø400 vacuum pad (x1)		4,8
OPTIONAL	Ø290 vacuum pad (x1)	kg	3,2

JVM06.2 features

MONOPANEL CONFIGURATION



MONOPANEL CONFIGURATION (4 VACUUM PADS)



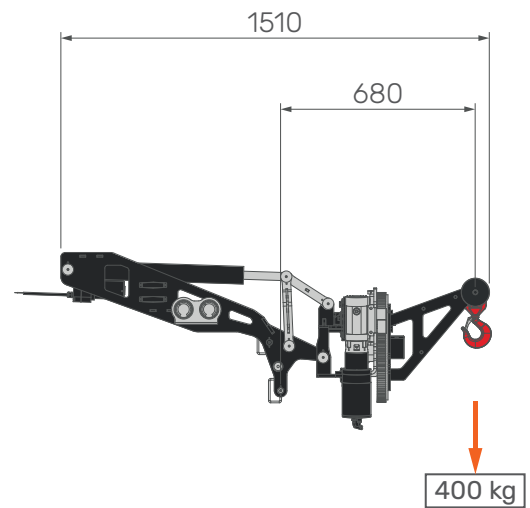
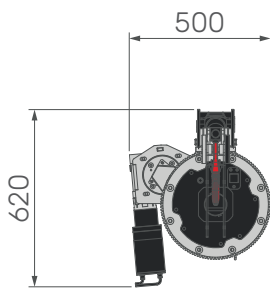
WEIGHT



JVM	JVM06.2 (monopanel configuration)	kg	110
-----	-----------------------------------	----	-----

[mm]

JIB JVM06-10 CONFIGURATION



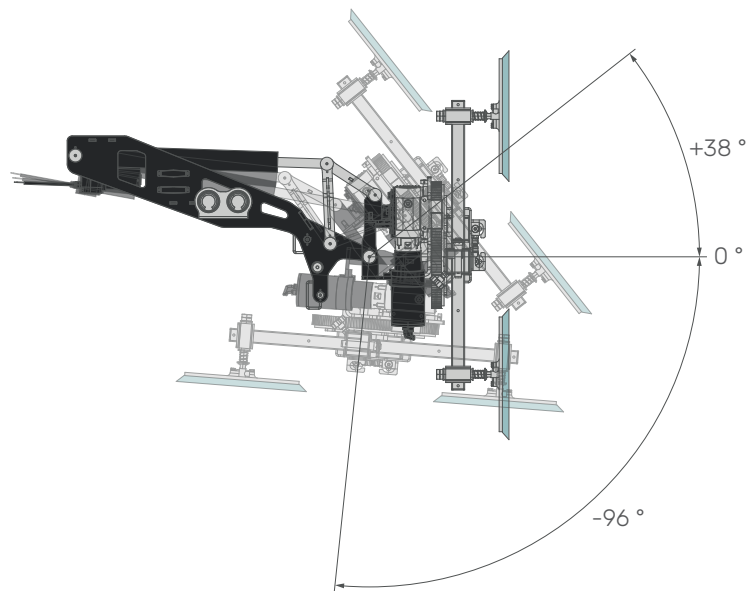
WEIGHT



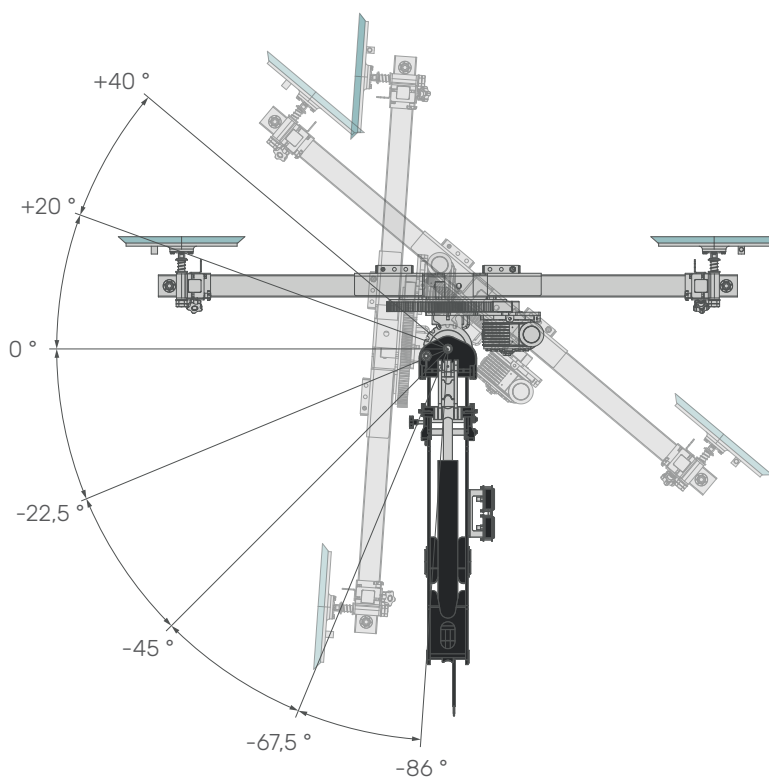
JVM	JVM06.2 (JIB-JVM06-10 configuration)	kg	85
-----	--------------------------------------	----	----

[mm]

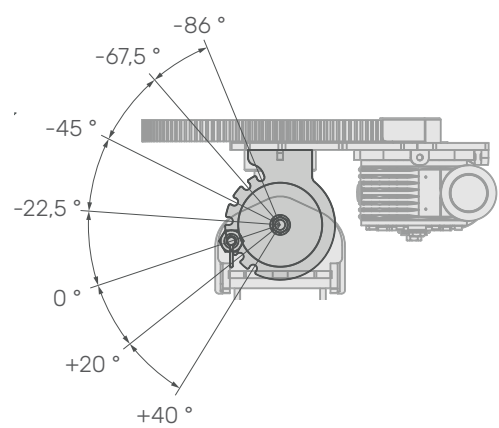
TILT


















MECHANICAL SWING



PIN POSITION



SYMBOLS

	Weight		Battery		Boom Angle		Back Wheel Maximum Load
	Minipicker		Maximum Capacity		Boom Length		Front Wheel Maximum Load
	Travel Speed		Slewing		Jib		Working Temperature
	Gradeability		JVM Manipulator		Hook		

LOAD CHARTS REMARKS

- Load tables have been calculated following the EN 13000:2014 standard.
- Load tables have been calculated considering a wind load of 13,8 m/s, a sail area of 1m²/t and a drag coefficient of 1,2.
- Load capacities are given in kg.
- Hookblocks and hooks weight is part of the load, hence it shall be deducted from the capacity values.
- The working radius is measured form the front plate of the frame.
- The supplied Technical Data is part of the Use & Maintenance Manual.
- Features and specifications may change without prior advice.
- All indicated data are for informational purposes only and are not binding as the crane performs differently depending on its use.



Jekko s.r.l.

Jekko S.r.l. - Via Galileo Galilei, 6/8 - 31010 Godega di Sant'Urbano (TV) - Italy
info@jekko.it - www.jekko-cranes.com

SERIAL NUMBER:



23.01.2026 | REV4.0