



JF365

DIESEL + ELECTRIC POWER UNIT



REMOTE CONTROL



- ✓ Proportional
- ✓ LCD Screen
- ✓ Spare battery

HYDRAULIC JIB

- ✓ 4 hydraulic telescopic extensions
- ✓ 2500 kg MAX capacity
- ✓ 29 m MAX height
- ✓ Hydraulic extra functions available



MAN BASKET

- ✓ For MAX 2 people
- ✓ Up to 29 m
- ✓ EN280 certified



SPECIAL FEATURES



- ✓ 3,5 tons transport capacity on lorry
- ✓ Pick & Carry
- ✓ 10 ton frontal or rear hydraulic towing winch

MAIN BOOM



- ✓ 11,5 tons MAX capacity
- ✓ 19,5 m MAX height
- ✓ 6 hydraulic telescopic extensions

WINCH



- ✓ Up to 60 m rope length
- ✓ Up to 3 falls
- ✓ For main boom & Jib
- ✓ 2 tons single line

ADDITIONAL ELECTRIC MOTOR



360° ROTATION

- ✓ On board
- ✓ 50 Hz or 60 Hz
- ✓ Simple switch from diesel
- ✓ 400-480 V three-phase electric motor

OUTRIGGERS

- ✓ 5 different stability levels
- ✓ 4 different stability areas
- ✓ 0 - 45° full-range angle & Telescopic



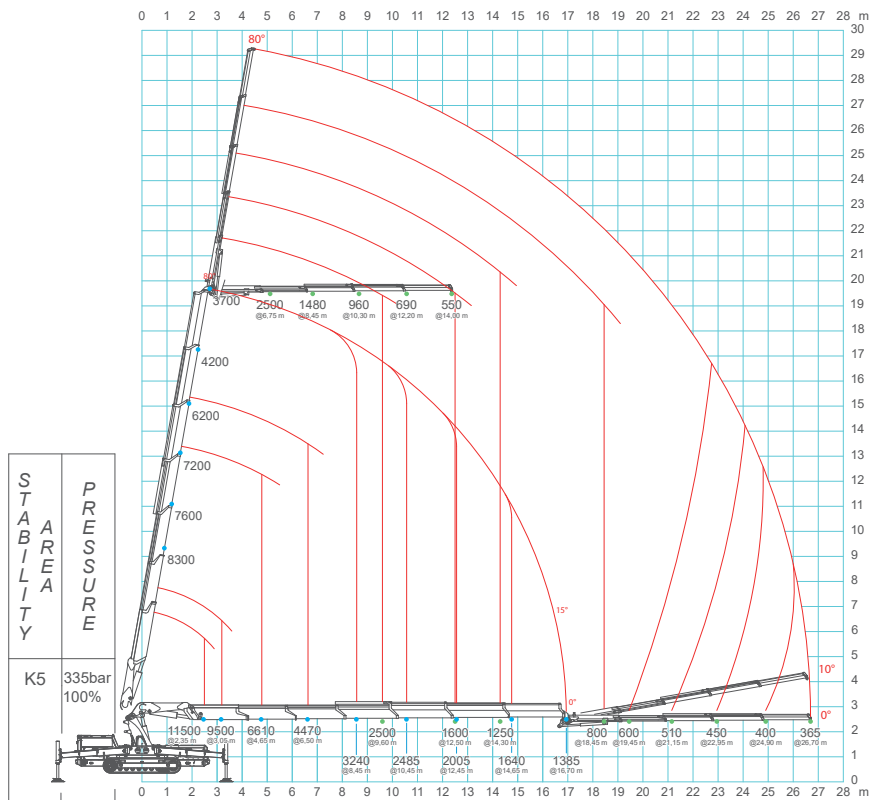
2 BIG TOOLBOXES

NON-MARKING WHITE PLASTIC PADS





LOAD CHART

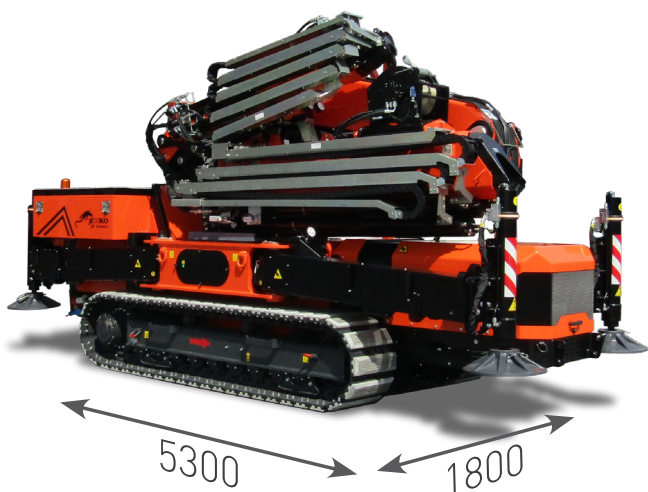


SCAN FOR MORE TECHNICAL DATA

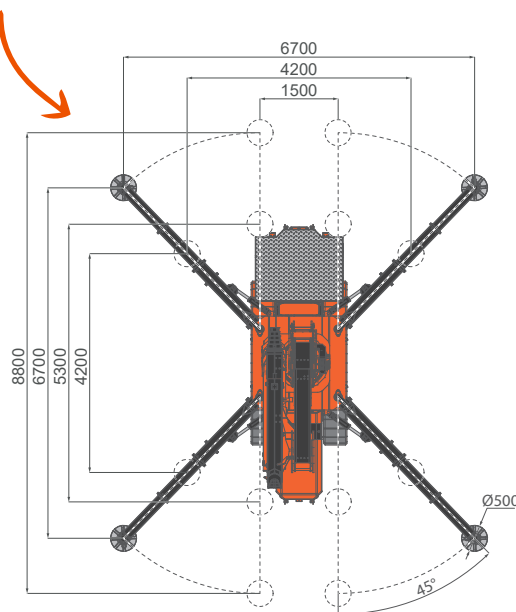
	Kg
JF365	12300
Winch	190
Hydraulic Jib	650



DIMENSIONS (mm)



FOOTPRINT (mm)



ACCESSORIES



JVM800-R
800 kg glass manipulator



JIB2500.4HA
2500 kg Hydraulic Jib



MAN-BASKET
For 2 people