



Technical Data

Specifications & Capacities

MPK10.2

Translanton of the original instructions

[m] [kg]

28.01.2026 | REV2.0

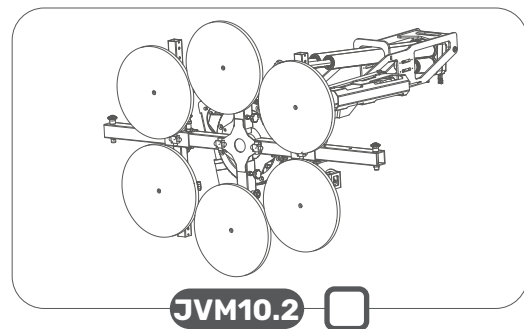
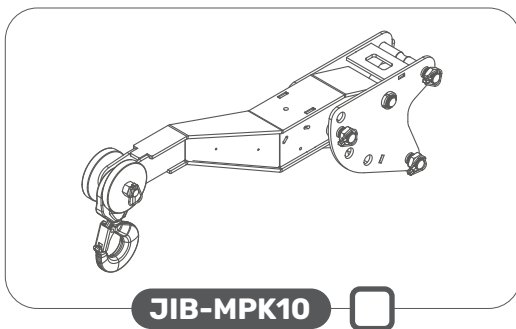
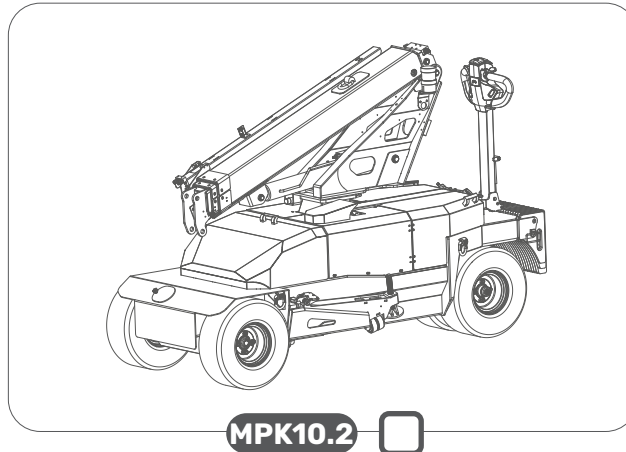


EN 13000:2014

INDEX

Index	2
Crane configuration	3
Overall dimensions	4
Overall informations	6
Main boom load chart	8
JIB-MPK10 load chart	9
JVM10.2 load chart	10
JIB-MPK10 features	12
JVM10.2 features	13
Symbols	19

CRANE CONFIGURATION



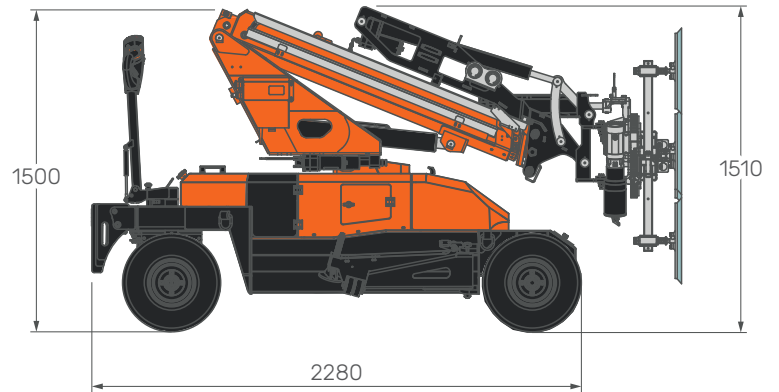
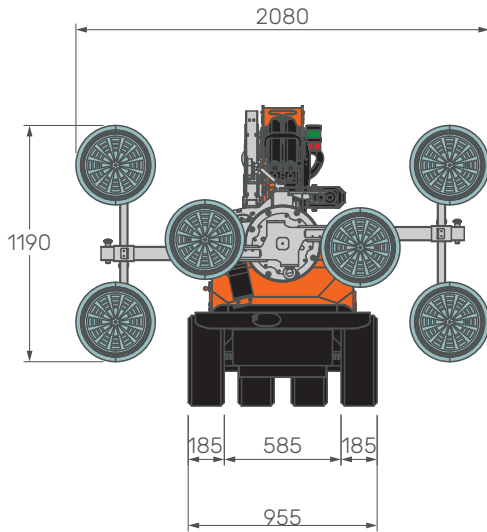
MPK10.2

Overall dimensions

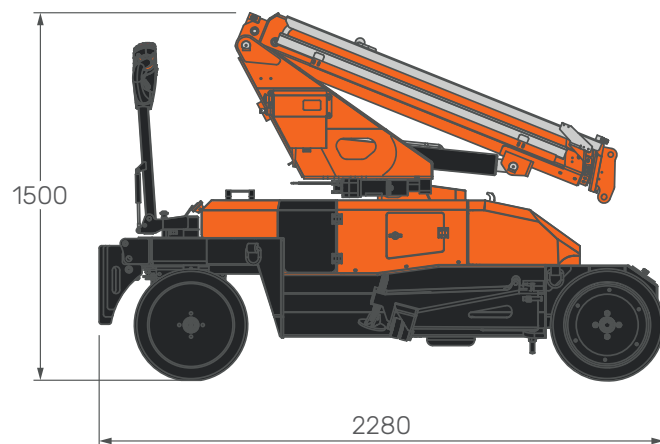
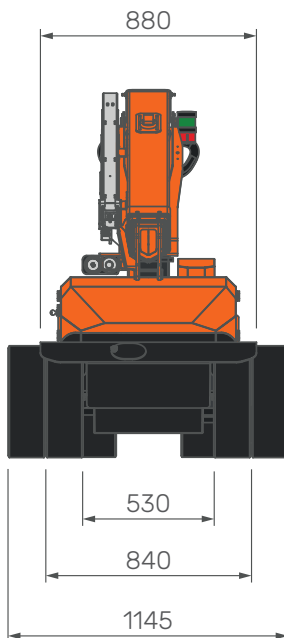
28.01.2026 | REV.2.0

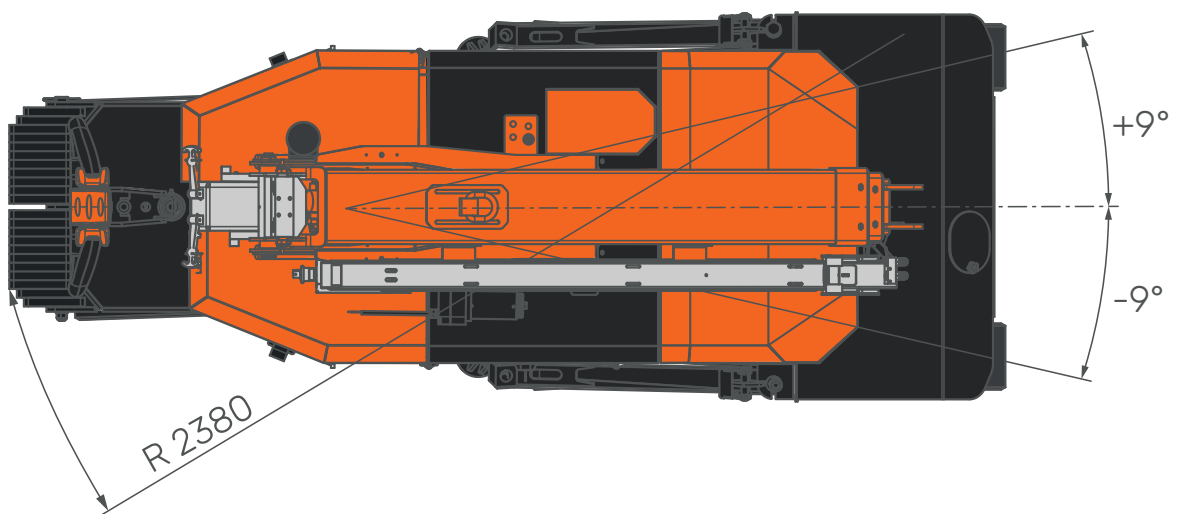
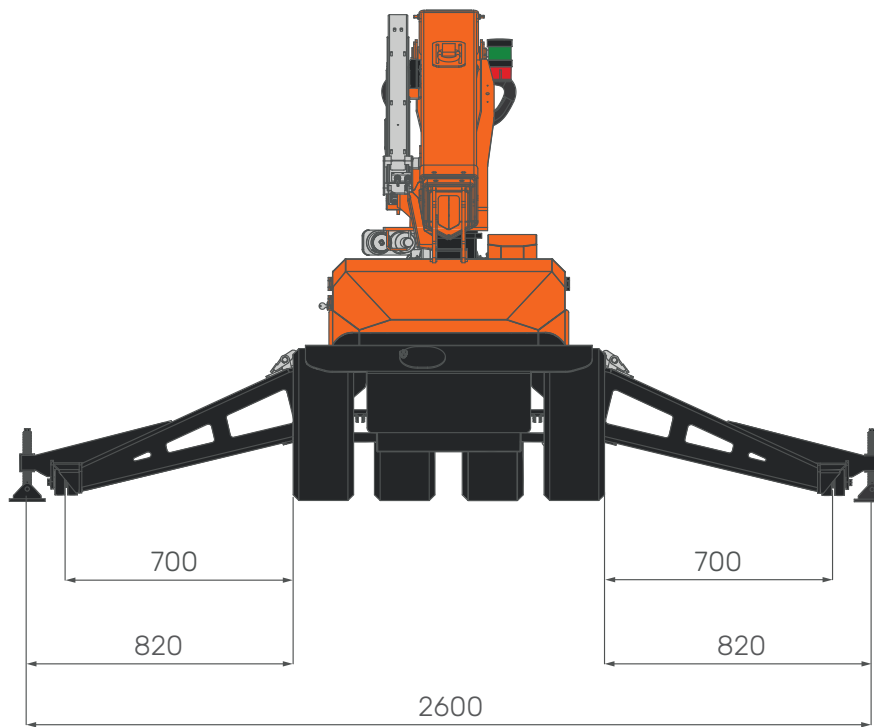
OVERALL DIMENSIONS

OUTDOOR WHEELS



TWIN WHEELS





MPK10.2

Overall informations

28.01.2026 | REV.2.0

OVERALL INFORMATIONS

CRANE INFO




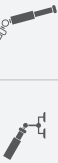
	DESCRIPTION	U.M.	VALUE
OVERALL DIMENSIONS	Height	mm	1.500
	Length		2.280
	Width		955
BOOM	Length	m	1,6/3,5
	Speed	s	48(1,6/3,5 m)
SLEWING	Angle	°	-9°/+9°
	Speed	s	7
LIFTING	Working Angle	°	-21°/+58°
	Speed	s	42(-21°/+58°)
MAX CAPACITY		kg	990
REAR WHEEL MAX LOAD		kg	410 ^[1]
FRONT WHEEL MAX LOAD	Turret positioned at 0°		980 ^[2]
	Turret slewed by 9°		1.320 ^[2]
TRAVEL SPEED		km/h	4
GRADEABILITY		°	13°(23%) ^[3]
WORKING TEMPERATURE		°C	-20°/+40°
Lifting Class (UNI 4301-1)			A1


^[1]: Without load

^[2]: With load

^[3]: Max value only for short distance and a maximum of 30 seconds. Forward movement at maximum gradeability is intended with extended boom and without load.

WEIGHT		CRANE	No counterweights	kg	1.045 ^[1]
		COUNTERWEIGHT	CW1 (into frame)	kg	100
			CW2 (into hood)		130
		TOTAL			kg

ACCESSORIES		JIB	JIB-MPK10	kg	18
		JVM MANIPULATOR	JVM10.2 (standard configuration)	kg	179

ENGINE		ELECTRIC	Battery voltage	V	24
			Power	kW	2.2

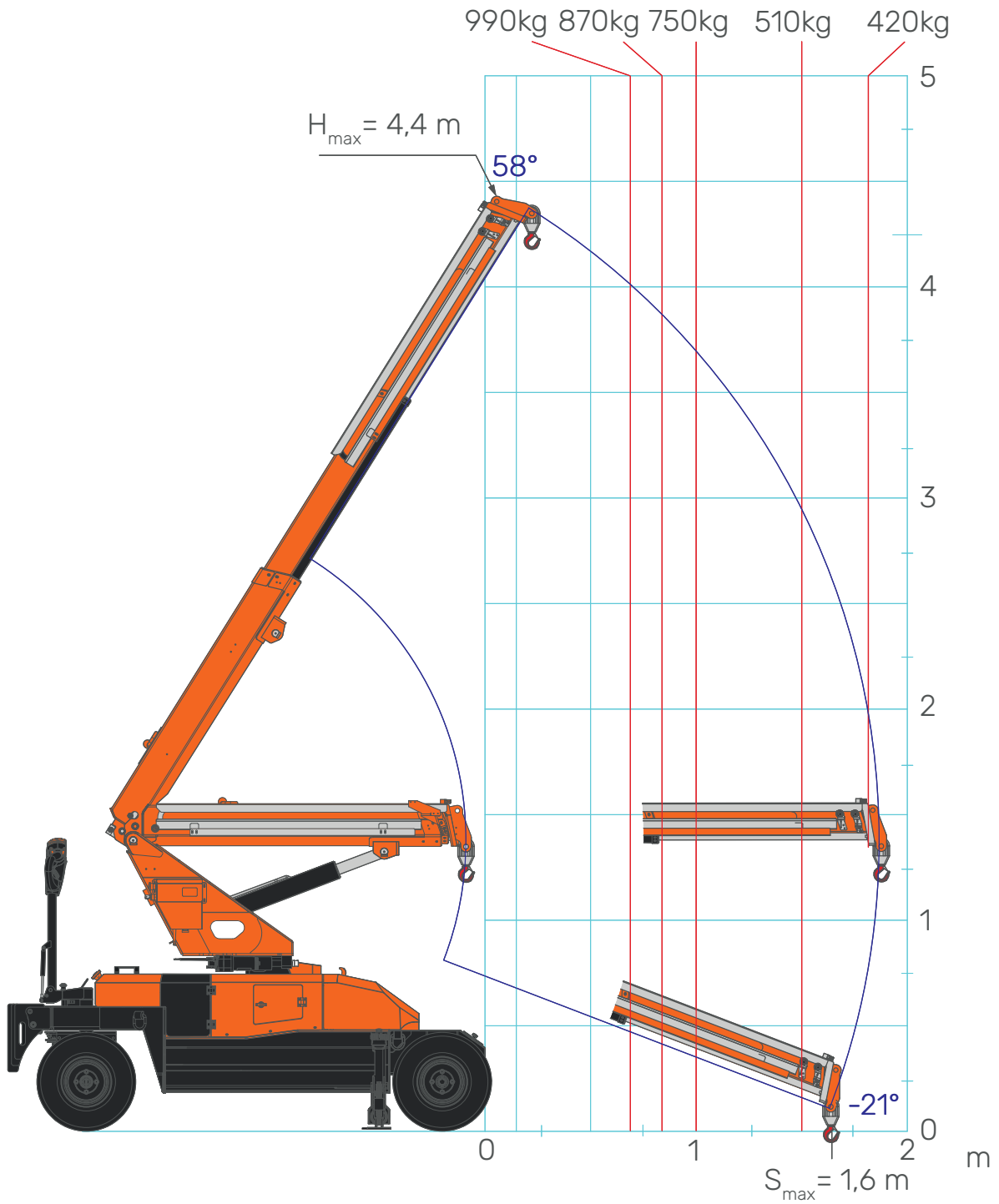
^[1]: Dry weight

MPK10.2

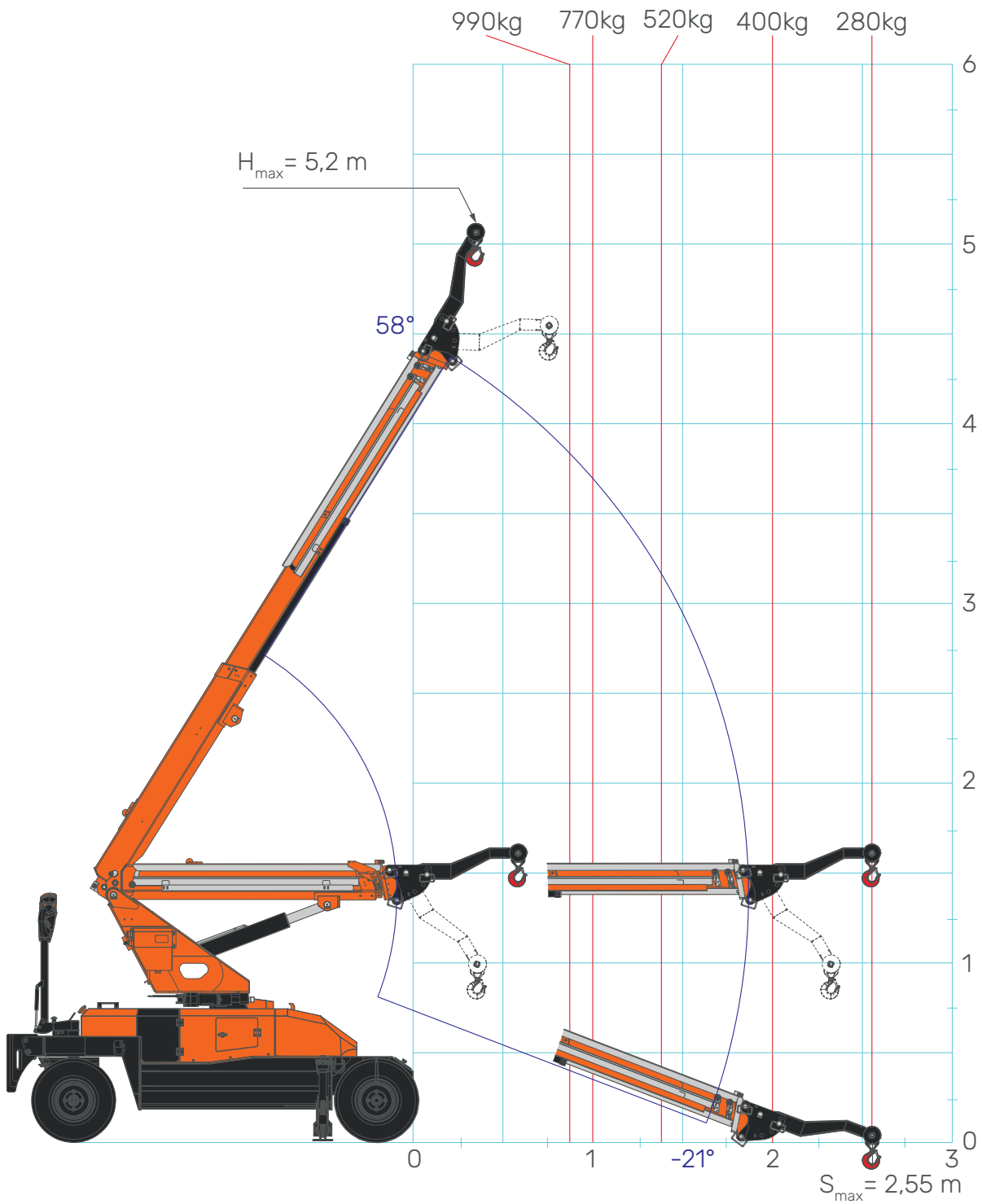
Main boom load chart

28.01.2026 | REV.2.0

MAIN BOOM



JIB-MPK10



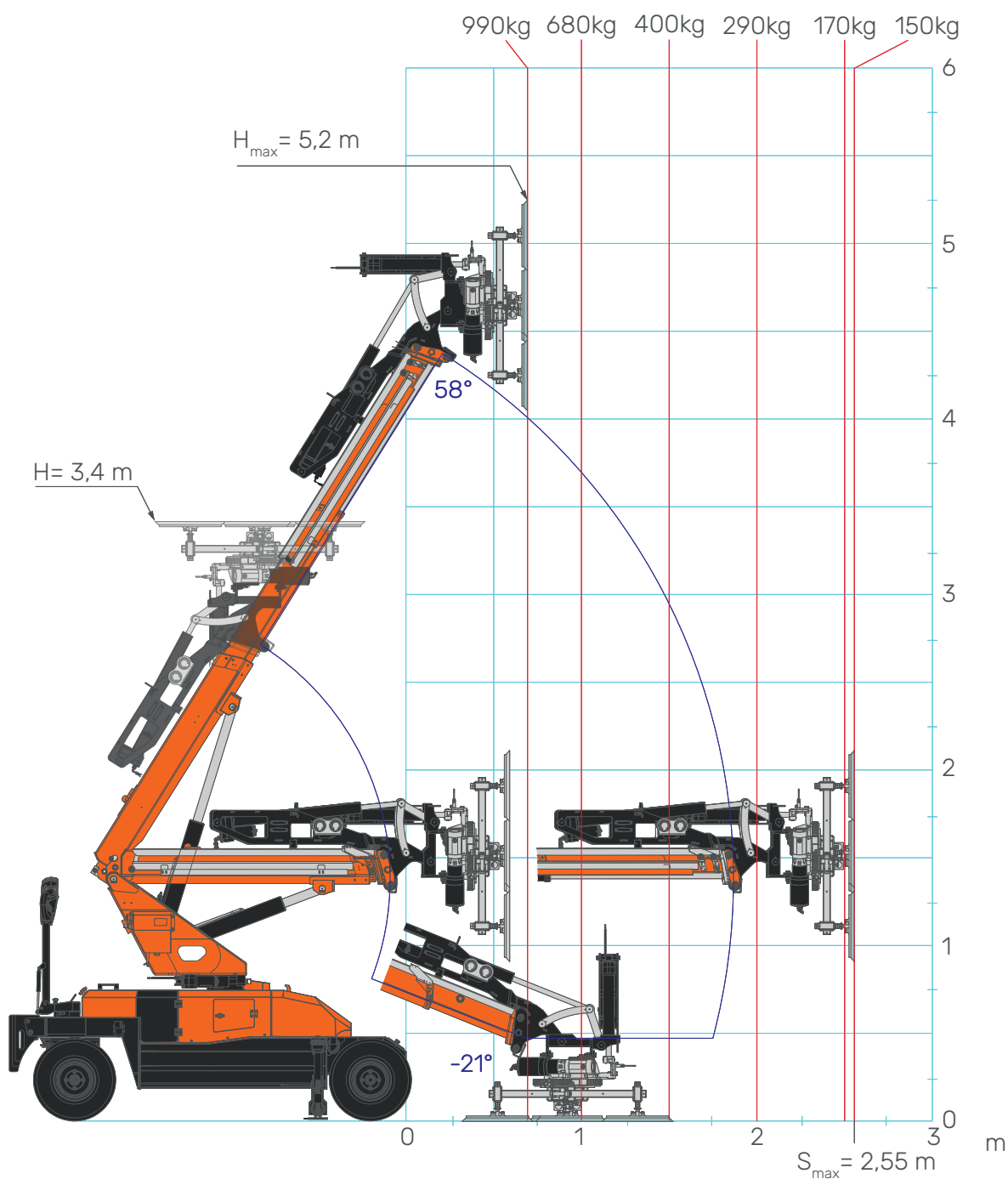
MPK10.2

JVM10.2 load chart

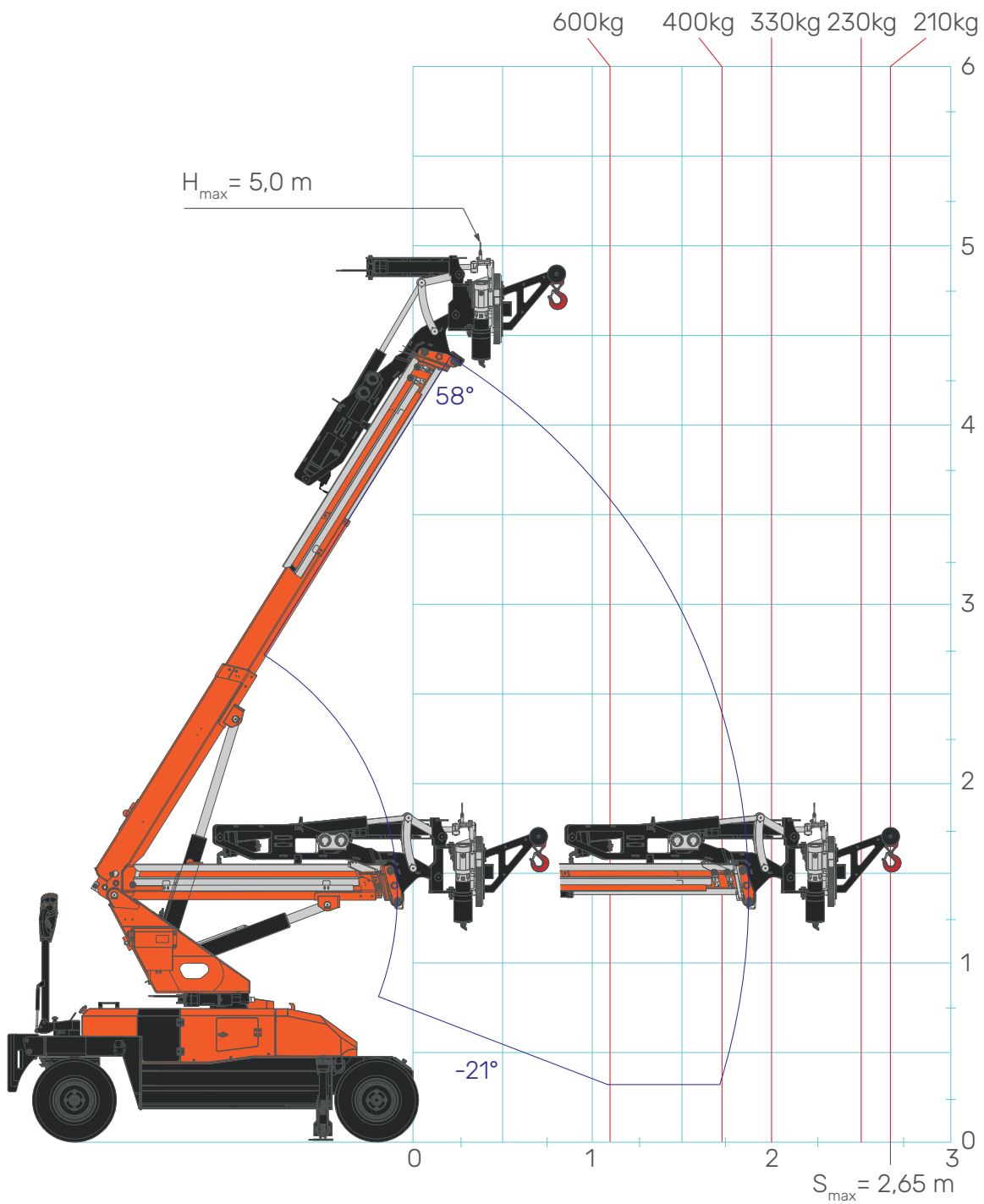
28.01.2026 | REV.2.0

JVM10.2

GLASS STANDARD CONFIGURATION (6 VACUUM PADS Ø400)

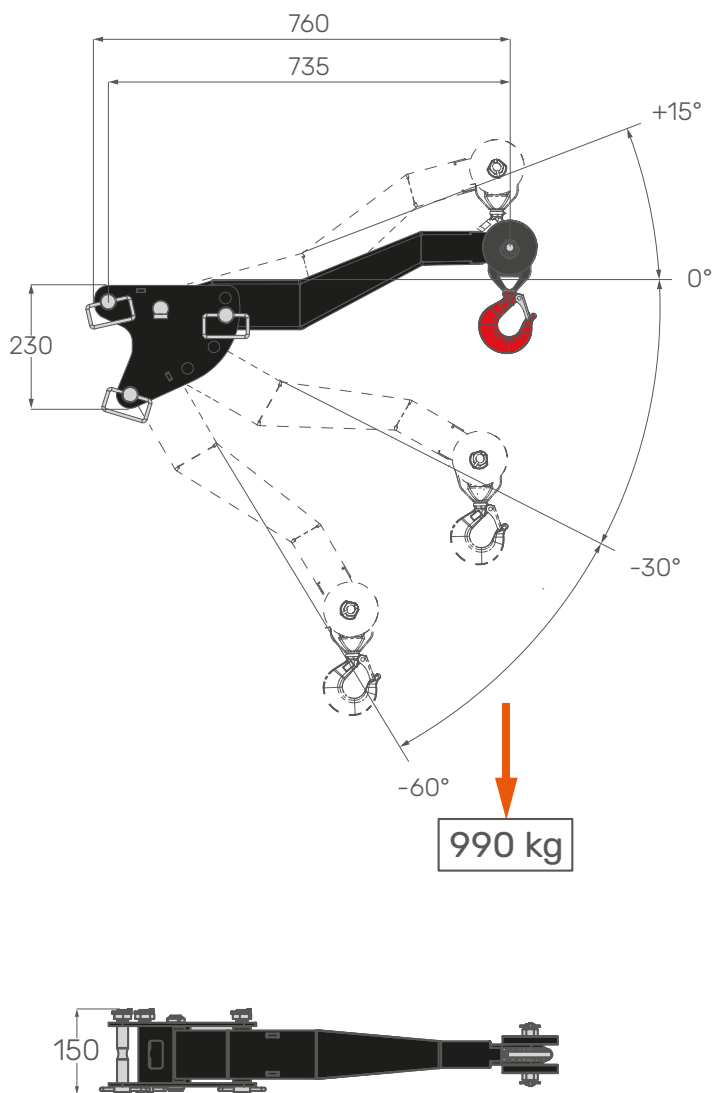


JIB-JVM06-10 CONFIGURATION



ACCESSORIES

JIB-MPK10



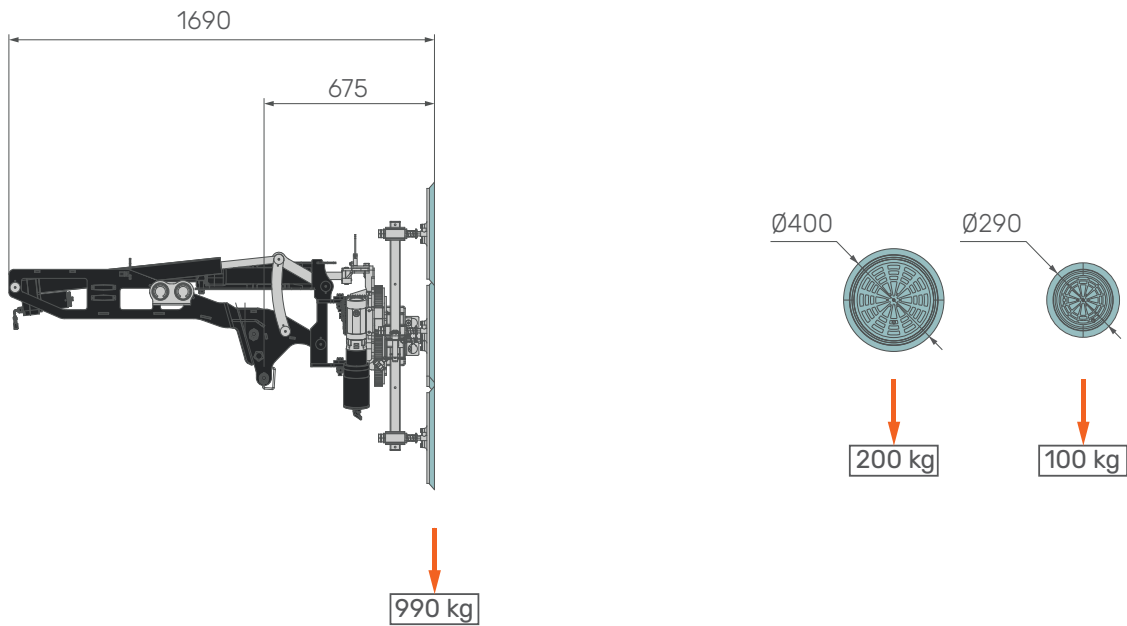
WEIGHT



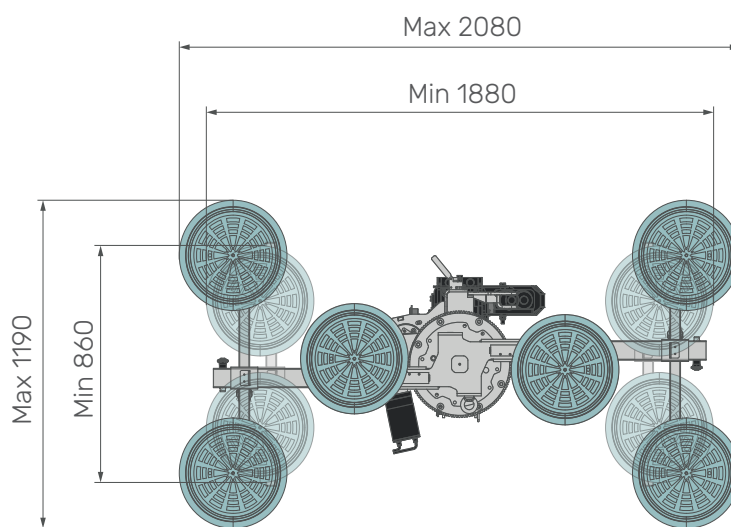
JIB	JIB-MPK10	kg	18
-----	-----------	----	----

JVM10.2

GLASS CONFIGURATION

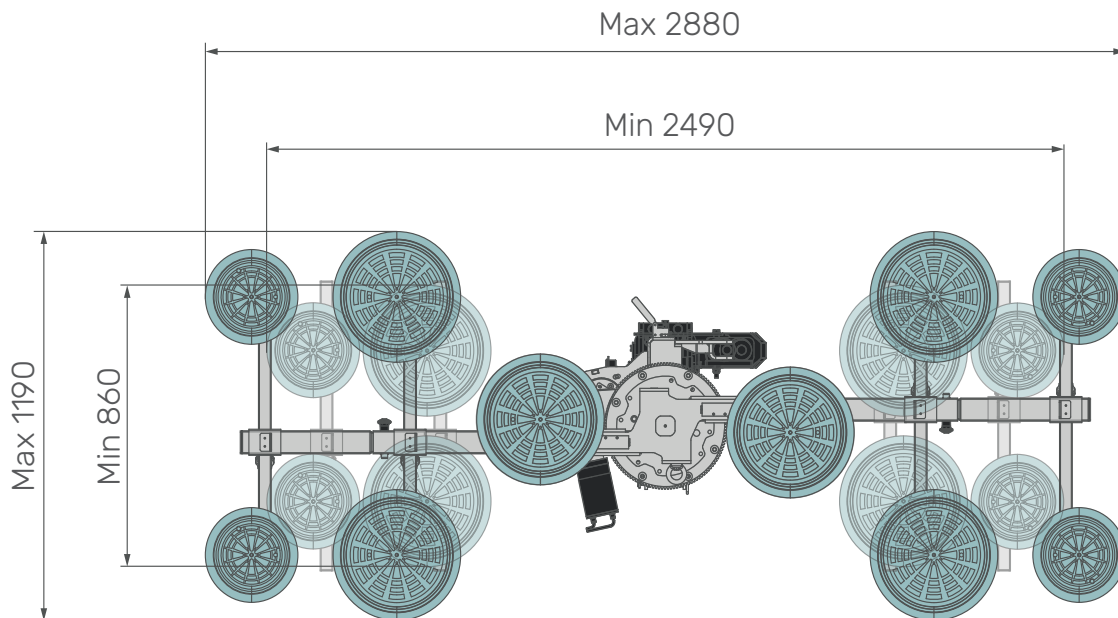


GLASS STANDARD CONFIGURATION (6 VACUUM PADS Ø400)

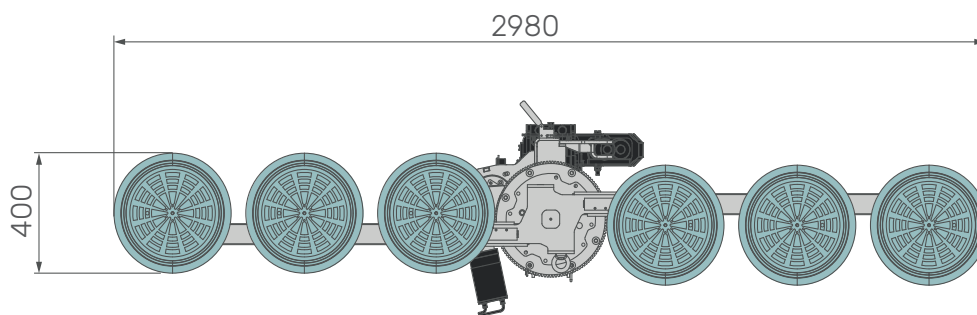


[mm]

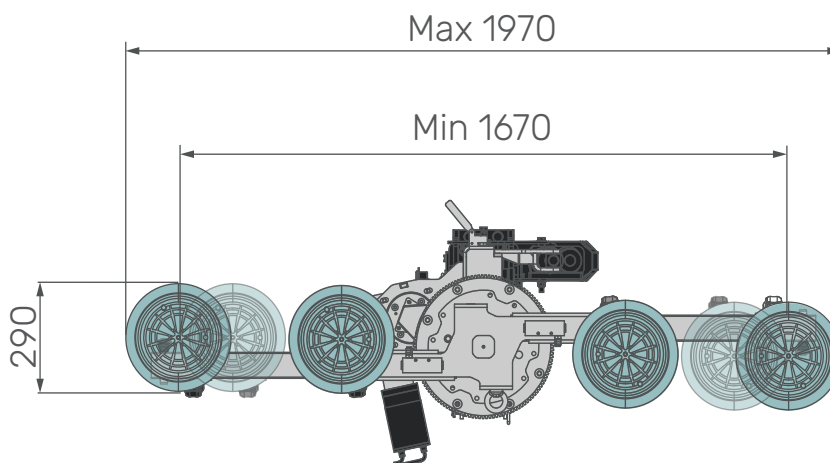
GLASS CONFIGURATION (6 VACUUM PADS Ø400 + 4 VACUUM PADS Ø290)



GLASS CONFIGURATION (6 VACUUM PADS Ø400)



GLASS CONFIGURATION (6 VACUUM PADS Ø290)



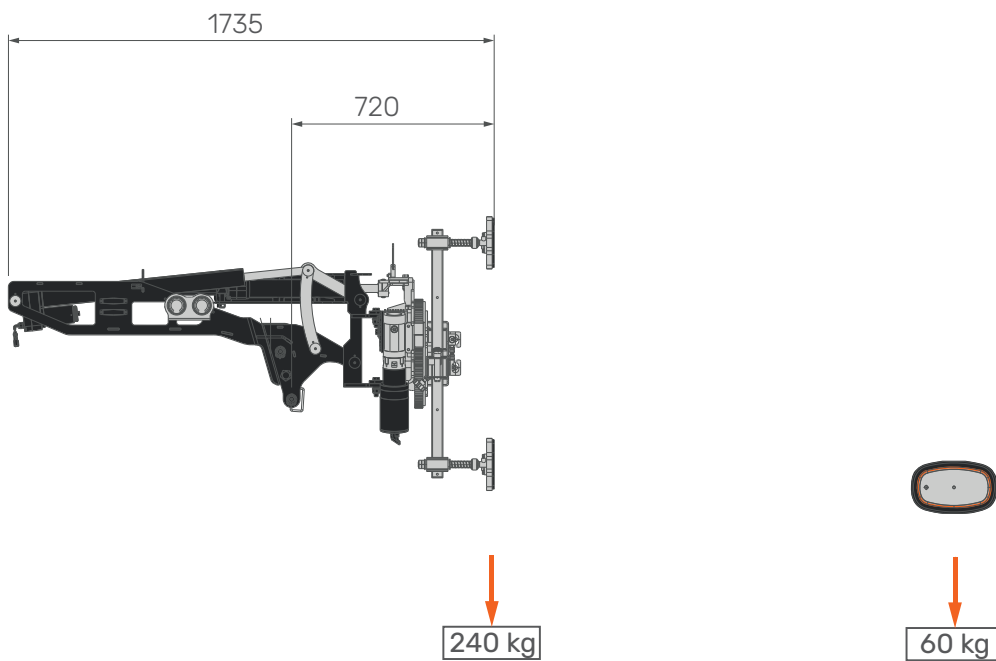
WEIGHT



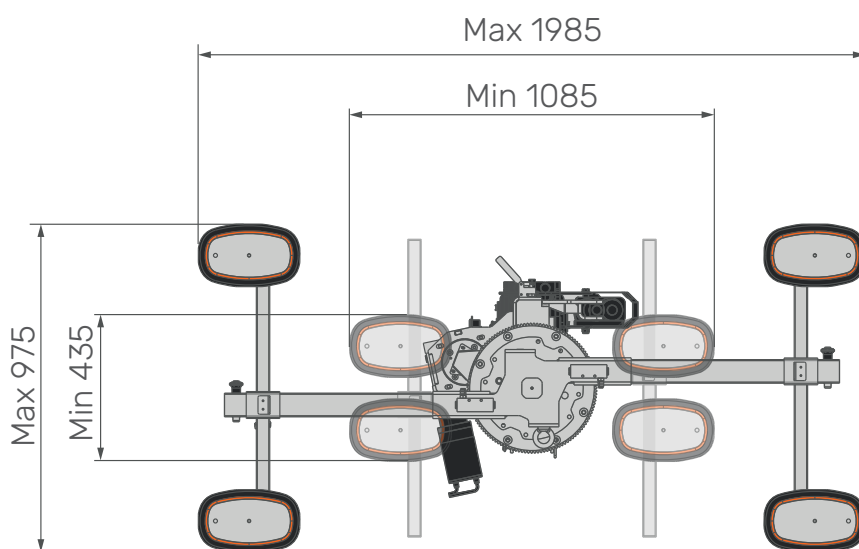
JVM	JVM10.2 (standard configuration)	kg	179
ACCESSORIES	Central pads support	kg	1
	Vertical pads support		3,4
	Ø400 vacuum pad (x1)		4,8
OPTIONAL	Lateral pads extension	kg	4,4
	Ø290 vacuum pad (x1)		3,2

[mm]

MONOPANEL CONFIGURATION



MONOPANEL CONFIGURATION (4 VACUUM PADS)



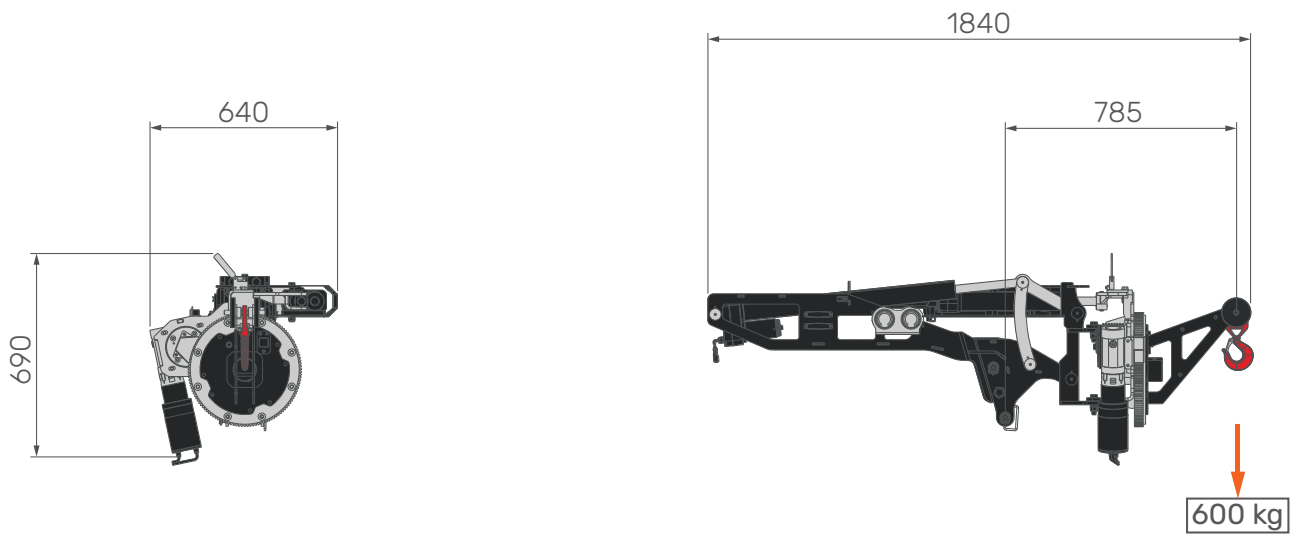
WEIGHT



JVM	JVM10.2 (monopanel configuration)	kg	157
-----	-----------------------------------	----	-----

[mm]

JIB-JVM06-10 CONFIGURATION



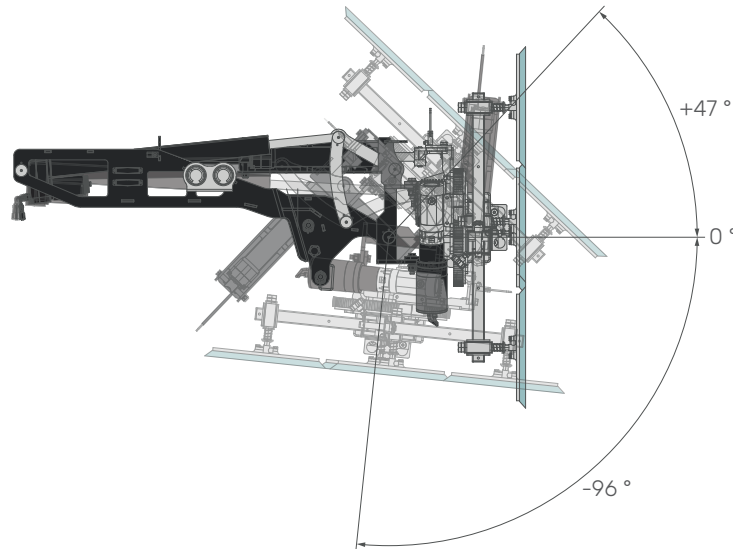
WEIGHT



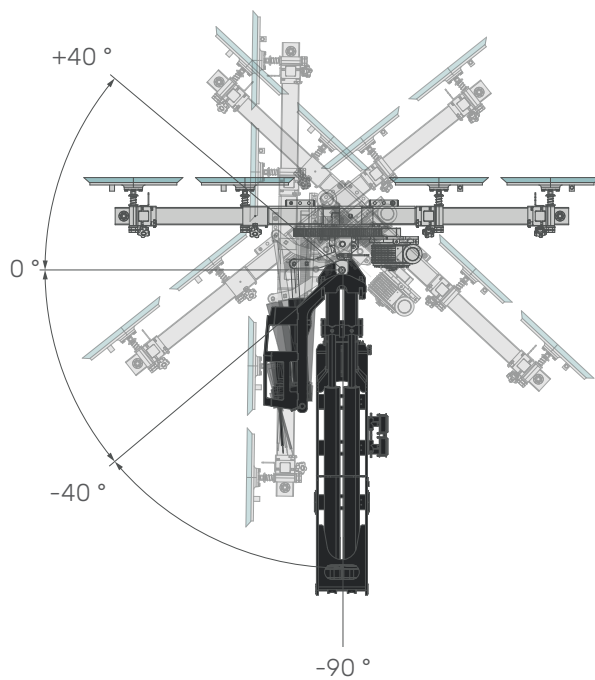
JVM	JVM10.2 (JIB-JVM06-10 configuration)	kg	131
-----	--------------------------------------	----	-----

[mm]

TILT



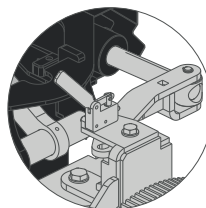
SWING



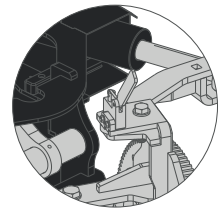
ANGLE

CONFIGURATION	ANGLE	
	MIN	MAX
1	-40°	+40°
2	-90°	-40°
















CONFIGURATION 1



CONFIGURATION 2



SYMBOLS

	Weight		Electric Engine		Boom Angle		Back Wheel Maximum Load
	Minipicker		Maximum Capacity		Boom Length		Front Wheel Maximum Load
	Travel Speed		Slewing		Jib		Working Temperature
	Gradeability		JVM Manipulator		Hook		

LOAD CHARTS REMARKS

- Load tables have been calculated following the EN 13000:2014 standard.
- Load tables have been calculated considering a wind load of 13,8 m/s, a sail area of 1m²/t and a drag coefficient of 1,2.
- Load capacities are given in kg.
- Hookblocks and hooks weight is part of the load, hence it shall be deducted from the capacity values.
- The working radius is measured form the front plate of the frame.
- The supplied Technical Data is part of the Use & Maintenance Manual.
- Features and specifications may change without prior advice.
- All indicated data are for informational purposes only and are not binding as the crane performs differently depending on its use.



Jekko s.r.l.

Jekko S.r.l. - Via Galileo Galilei, 6/8 - 31010 Godega di Sant'Urbano (TV) - Italy
info@jekko.it - www.jekko-cranes.com

SERIAL NUMBER: 28.01.2026 | REV2.0