

# JF40

**max** 2500 kg

2380 x 780 x 1820 mm

**max** 8.1m

**max** 6.8 m



## Technical Information

Dimension	2380 x 780 x 1820 mm
Stab. Area	4550 X 4550 mm

Crane & Options Weights			Kg
	JF40		1500
	/		
	TF0500		12
	PP400-4DX PP220-4DX PP220-2DX	AUX	40
	JIB P		9

Winch		600 kg 36 m - Ø 6 mm 27-33 m/min.
-------	--	---

JF40	Petrol Engine	YAMAHA MZ 360	7.6 kW 10.4 Hp
------	---------------	---------------	-------------------

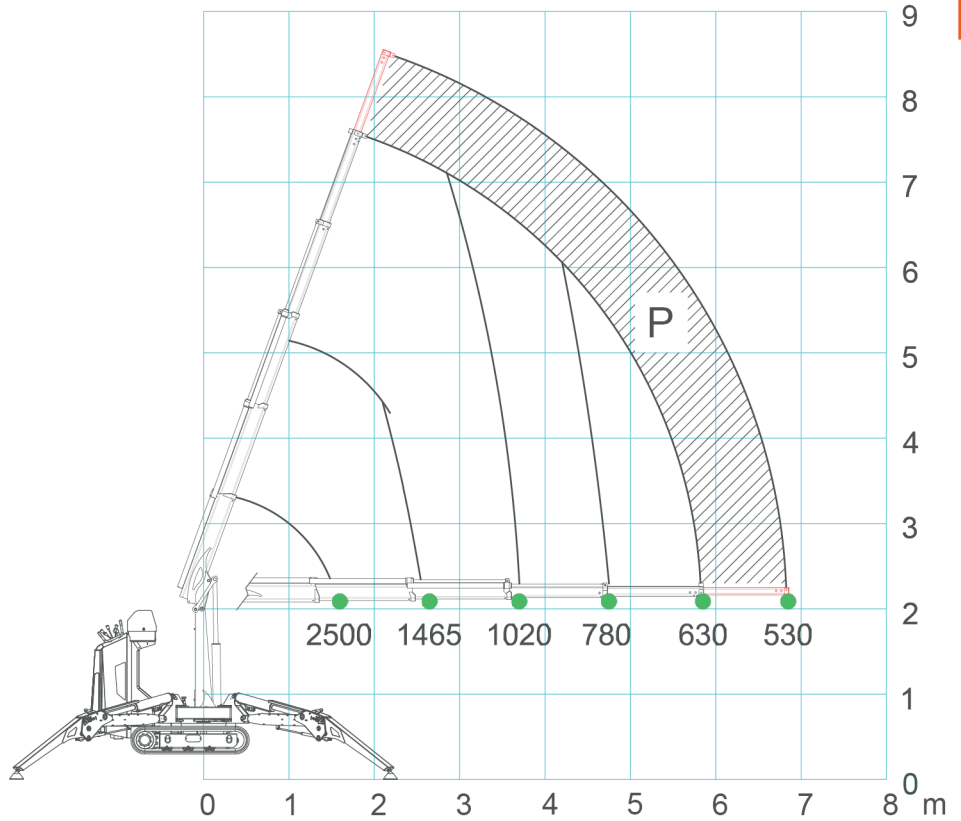
Speed		2.4 km/h
-------	--	----------

Gradeability		25°
--------------	--	-----



## Load Chart

P: manual extension



### Electric Power Pack

	400V 3-AC 4kW / 5.3 HP
	230V AC 2.2kW / 2.9 HP

#### Max. Track Load

	0.42 kg/cm <sup>2</sup>
--	-------------------------

#### Max. Outrigger Load

	1530 kg
--	---------

#### Boom Length

1.6 - 5.8 m	30 sec.
-------------	---------

#### Working Angle

0° / 70°	14 sec.
----------	---------

#### Rotation

330° / 30 sec.
----------------



## Dimensions

